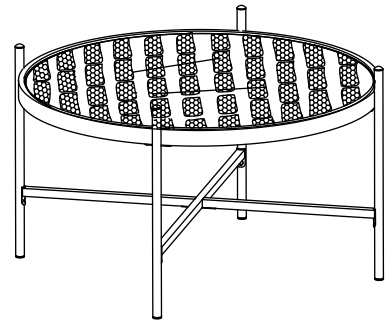
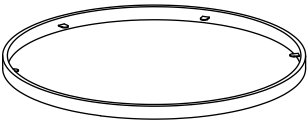
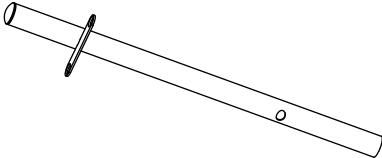
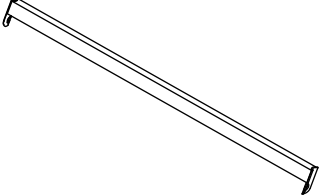
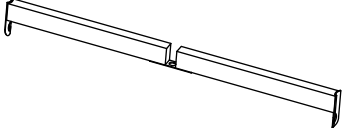


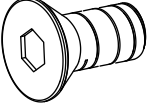
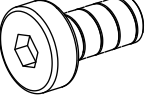

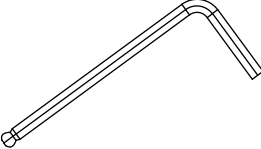


ITEM NO.84640 COFFEE TABLE

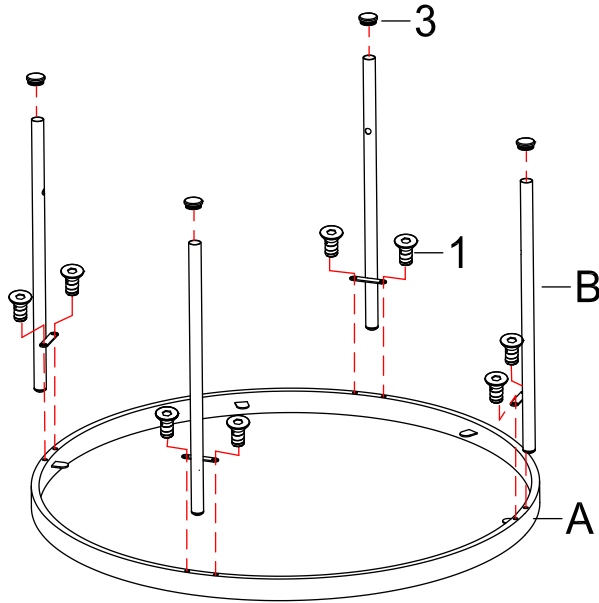


ASSEMBLY INSTRUCTIONS

<p style="text-align: center;">A</p>  <p style="text-align: center;">TOP FRAME 1PC</p>	<p style="text-align: center;">B</p>  <p style="text-align: center;">LEG 4PCS</p>	<p style="text-align: center;">C</p>  <p style="text-align: center;">TOP STRETCHER 1PC</p>
<p style="text-align: center;">D</p>  <p style="text-align: center;">BOTTOM STRETCHER 1PC 1</p>	<p style="text-align: center;">E</p>  <p style="text-align: center;">WOOD TOP 1PC 2</p>	<p style="text-align: center;">F</p>  <p style="text-align: center;">GLASS TOP 1PC 3</p>
 <p style="text-align: center;">BOLT 1/4"X 1/2" 8PCS</p>	 <p style="text-align: center;">BOLT 1/4X 1/2" 5PCS</p>	 <p style="text-align: center;">FOOT CAP 4PCS</p>
 <p style="text-align: center;">ALLEN WRENCH 1PC</p>		

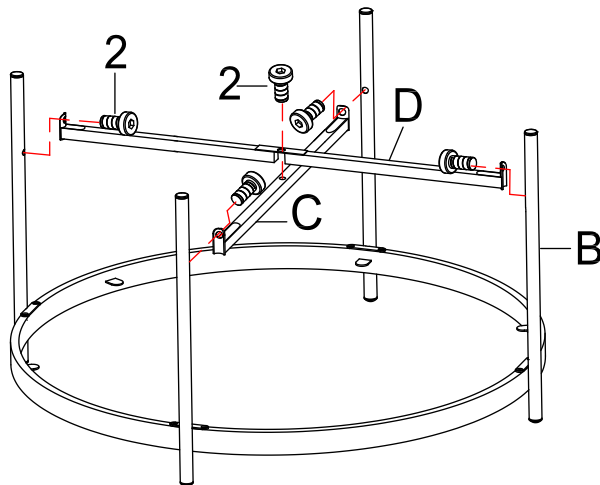
***** Do not tighten screws & bolts until the entire unit is completely assembled. *****

STEP 1



Attach legs (B) to top frame (A) by using bolt (1), and attach foot cap (3) to leg (B) as shown.

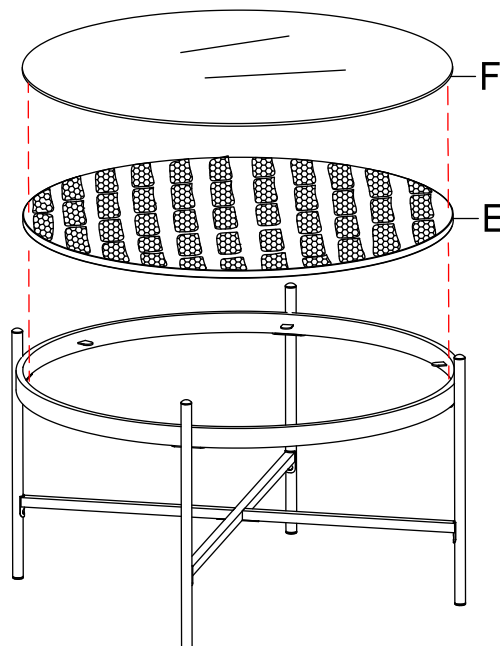
STEP 2



Attach top stretcher (C) and bottom stretcher (D) to leg (B) by using bolt (2) as shown.

Tighten all bolts firmly.

STEP 3



Turn the assembled unit to upside, and attach wood top (E) and glass top (F) on top frame (A) as shown.

Your coffee table is now completed.