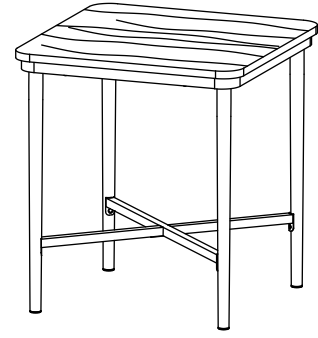
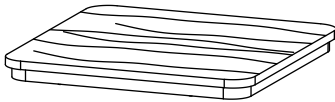
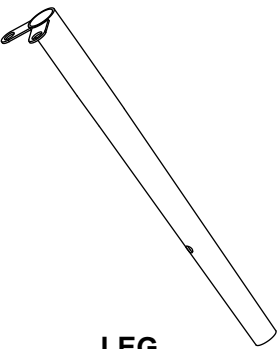
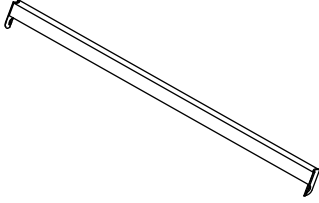
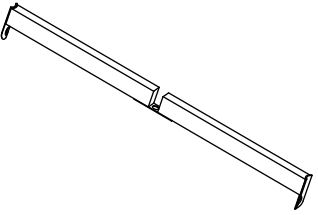
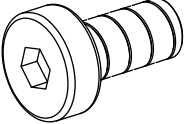

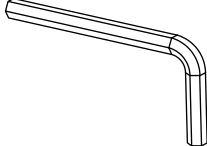


ITEM NO.84632 END TABLE

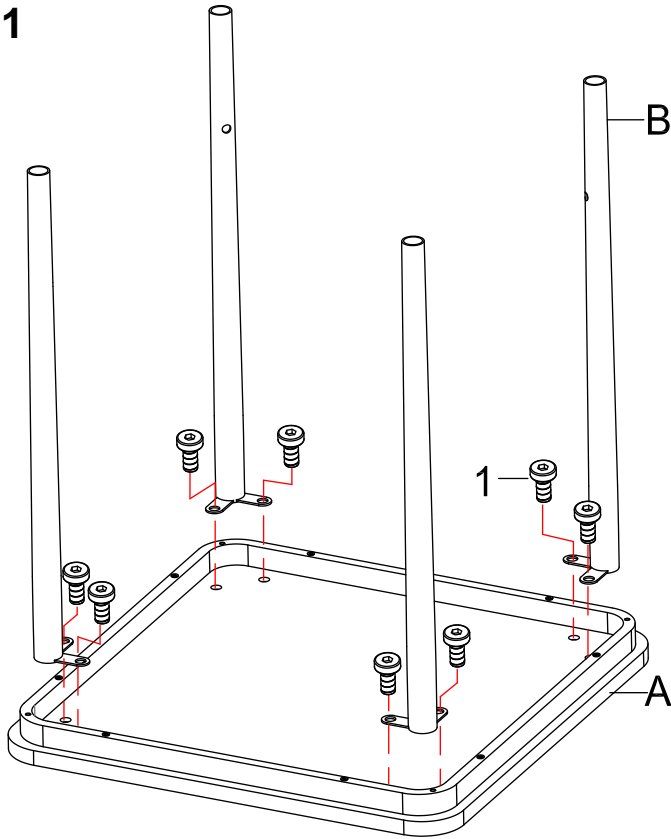


ASSEMBLY INSTRUCTIONS

| A | B | C | D |
|--|---|--|---|
|  WOOD TOP WITH METAL FRAME 1PC |  LEG 4PCS |  TOP STRETCHER 1PC |  BOTTOM STRETCHER 1PC |
| 1 | 2 | 3 | |
|  BOLT 1/4"X 1/2" 13PCS |  FOOT CAP 4PCS |  ALLEN WRENCH 1PC | |

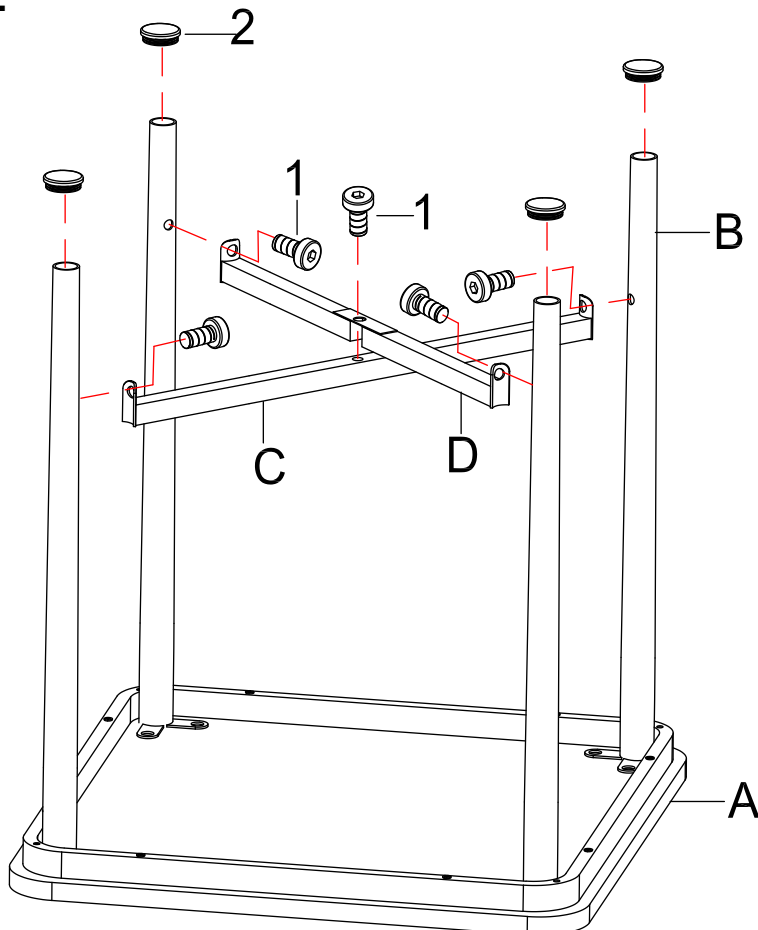
***** Do not tighten screws & bolts until the entire unit is completely assembled. *****

STEP 1



Attach leg (B) to wood top with metal frame (A) by using bolt (1) as shown.

STEP 2



Attach top stretcher (C) and bottom stretcher (D) to leg (B) by using bolt (1) as shown.

Attach foot cap (2) to the bottom of leg (B).

Turn the unit right side up carefully.

Your end table now is completed.