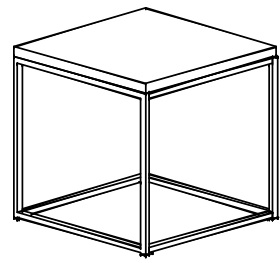
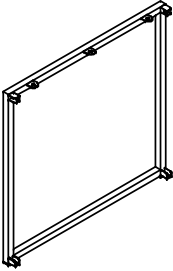
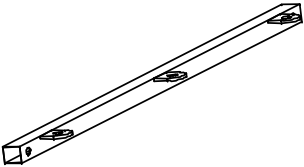
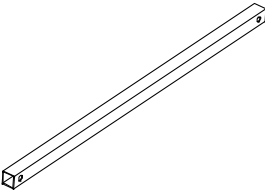
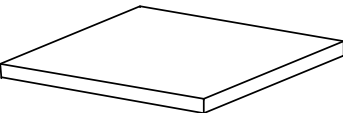
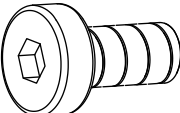
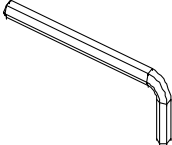


ITEM NO. 84627 END TABLE

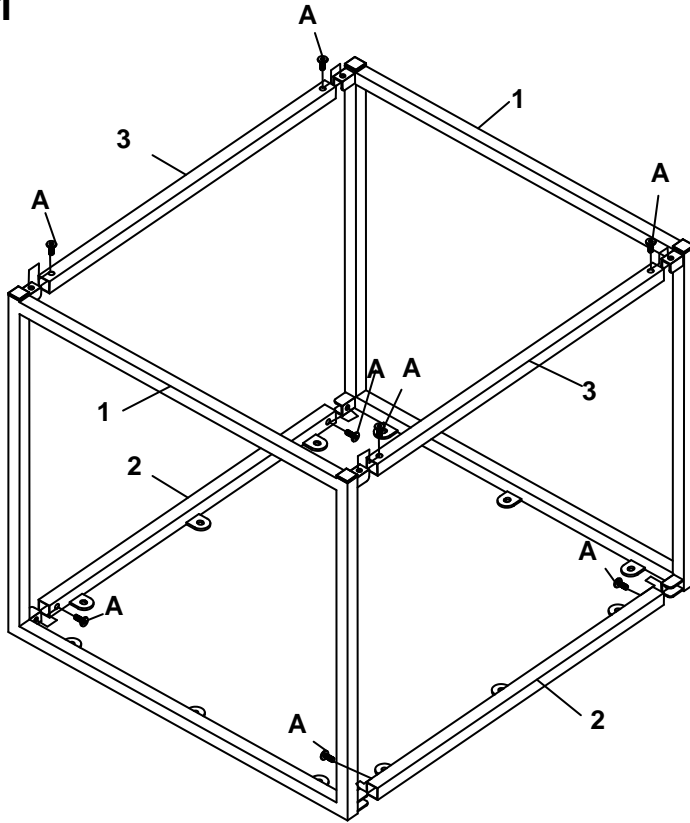


ASSEMBLY INSTRUCTIONS

<p style="text-align: center;">1</p>	<p style="text-align: center;">2</p>	<p style="text-align: center;">3</p>
 <p style="text-align: center;">SIDE FRAME 2PCS</p>	 <p style="text-align: center;">TOP CROSSBAR 2PCS</p>	 <p style="text-align: center;">BOTTOM CROSSBAR 2PCS</p>
<p style="text-align: center;">4</p>		
 <p style="text-align: center;">WOOD TOP 1PC</p>		
<p style="text-align: center;">A</p>	<p style="text-align: center;">B</p>	
 <p style="text-align: center;">BOLT 1/4"X1/2" 20PCS</p>	 <p style="text-align: center;">ALLEN KEY 1PC</p>	

***** Do not tighten screws & bolts until the entire unit is completely assembled. *****

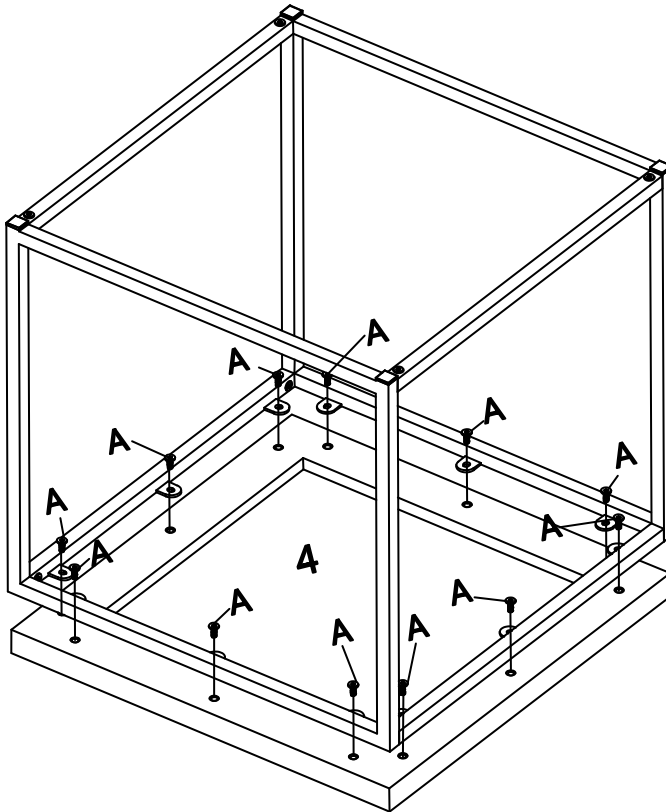
STEP 1



*Please put all parts on a soft surface to prevent scratches.

Attach top crossbars (2) and bottom crossbars (3) to side frames (1) by using bolts (A) as shown.

STEP 2



Attach the assembled metal frame to wood top (4) by using bolts (A) as shown.

Tighten all bolts firmly.

Your end table now is completed.