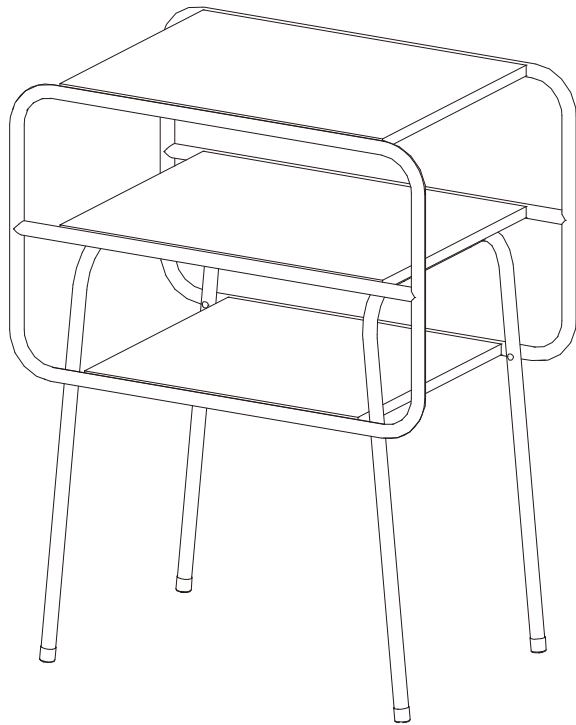


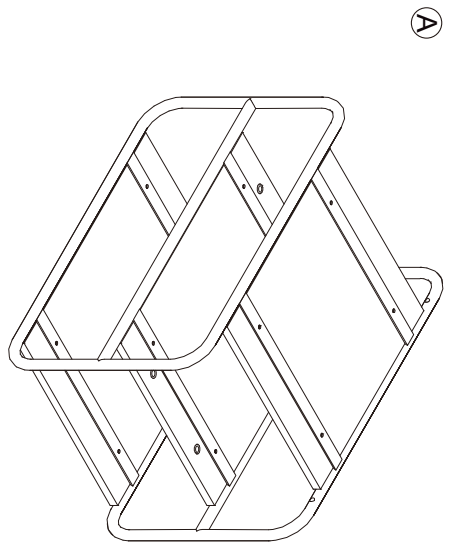
ASSEMBLY INSTRUCTIONS

83870

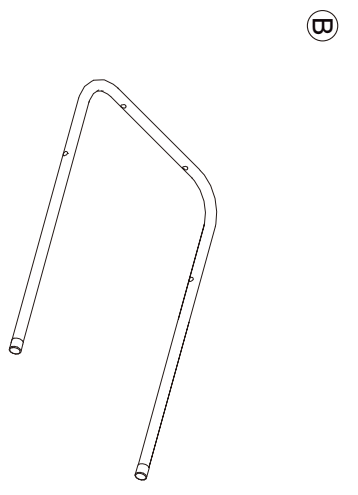


END TABLE

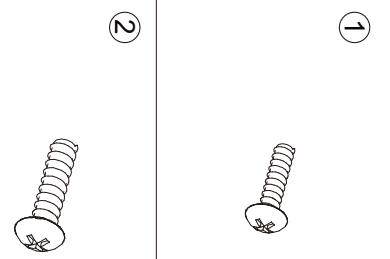
ASSEMBLY INSTRUCTIONS



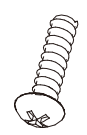
x1



x2

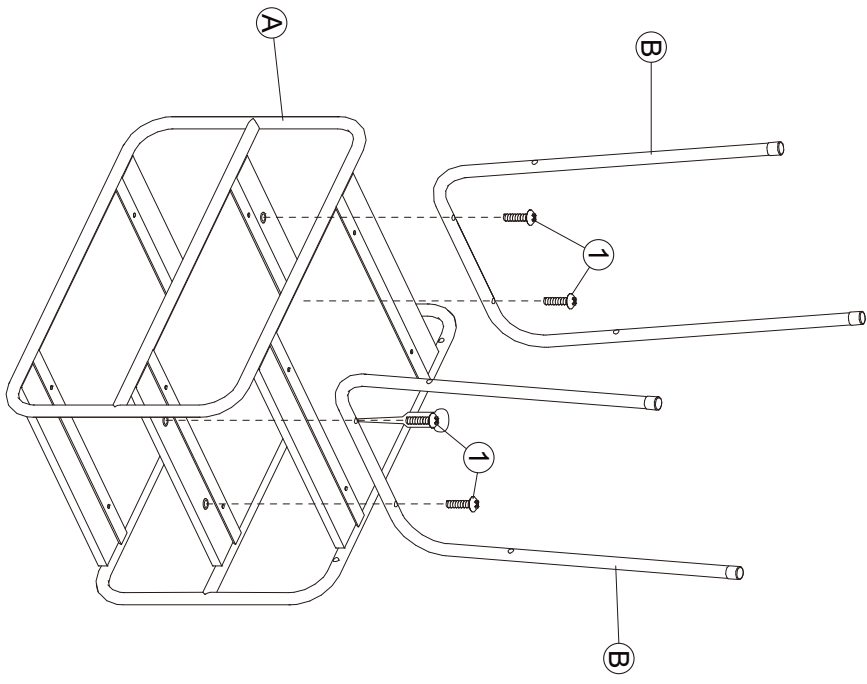


x4

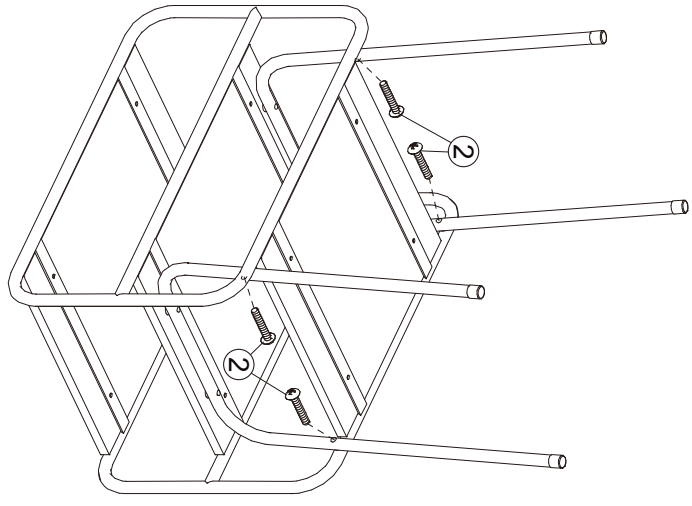


x4

1



2



3

