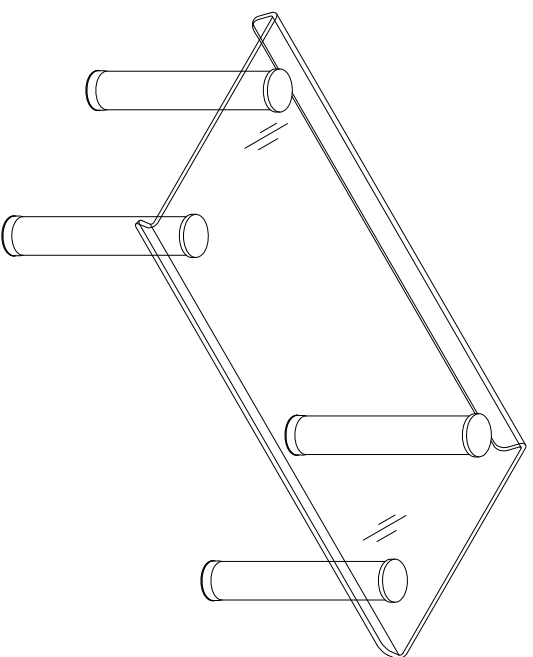
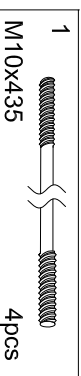
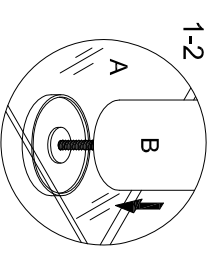
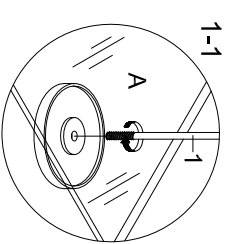
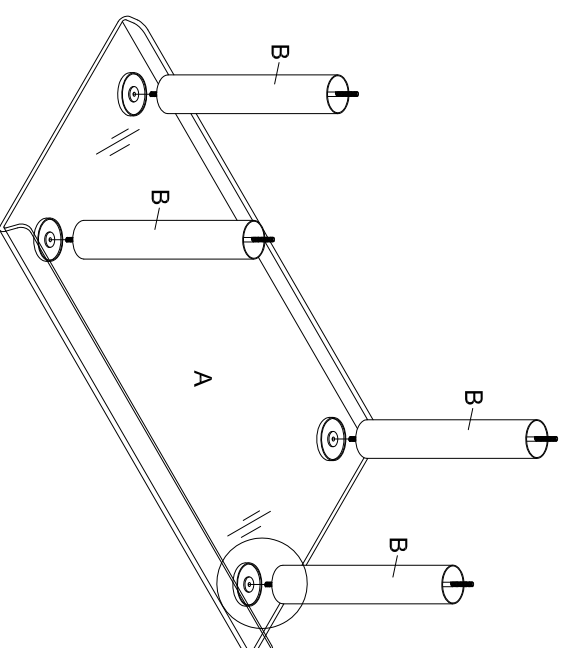


ASSEMBLY INSTRUCTIONS

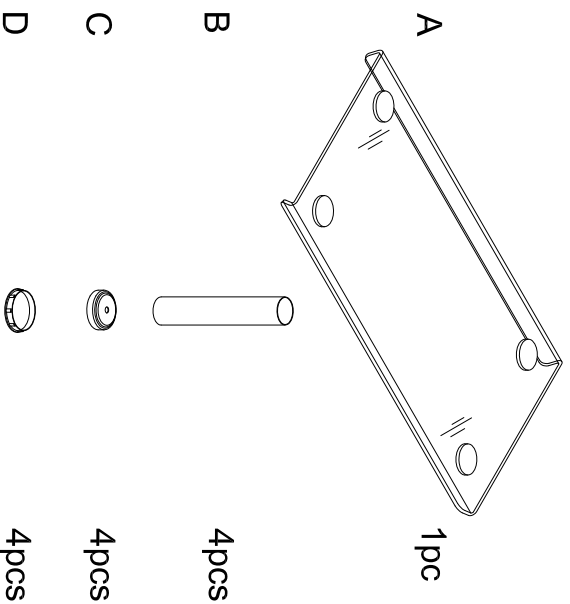
ITEM NO.:83680/83685



STEP 1.



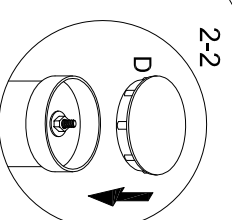
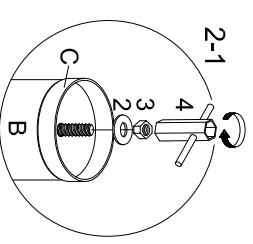
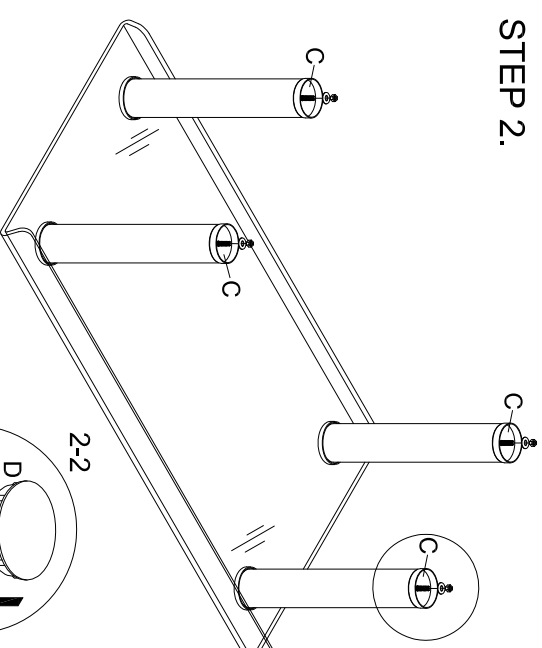
PARTS IDENTIFICATION



HARDWARE LIST

1		M10x435	4pcs
2		Ø26xØ10x1.5	4pcs
3		M10	4pcs
4		M10	1pc

STEP 2.



2		Ø26xØ10x1.5	4pcs
3		M10	4pcs