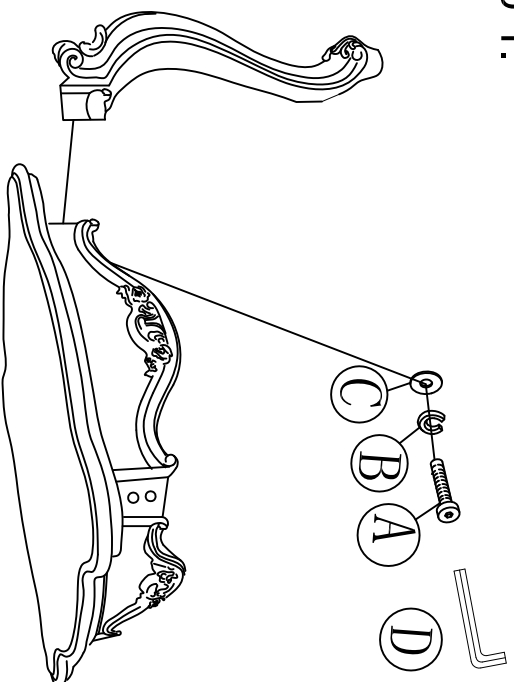
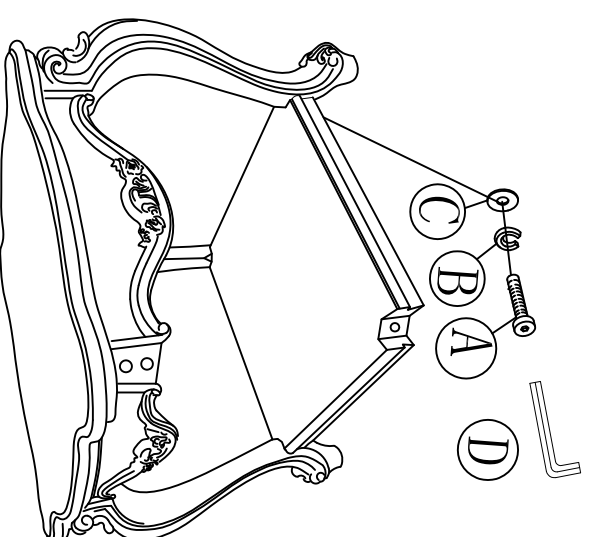


ASSEMBLY INSTRUCTION

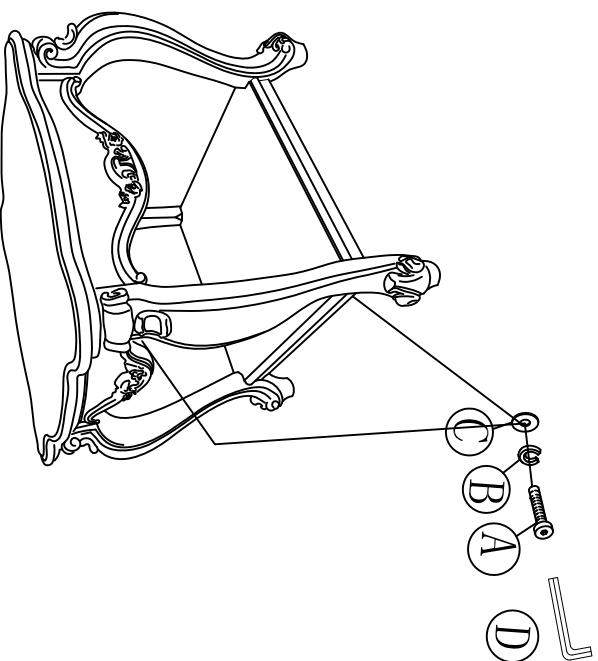
Step 1:



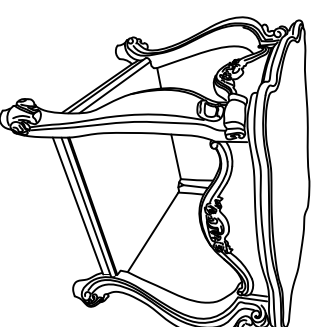
Step 2:



Step 3:



Finish :



| No.: | Description | Drawing | Size | Q'ty |
|------|--------------|---------|-----------------|------|
| A | Middle Bolt | | Ø5/16" X2-1/4 " | 12 |
| B | Lock Washer | | Ø5/16" X12mm | 12 |
| C | Flat Washer | | Ø5/16" X22mm | 12 |
| D | Allen Wrench | | 5mm | 1 |