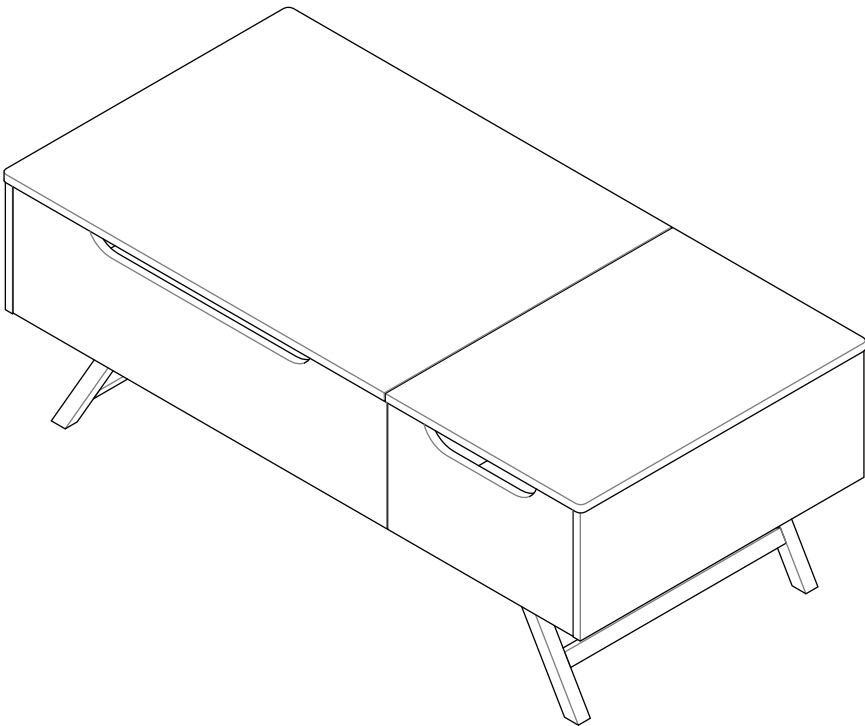


ASSEMBLY INSTRUCTIONS

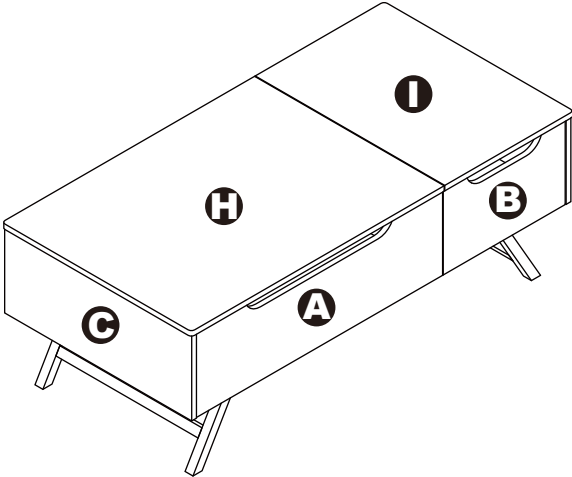
83145



COFFEE TABLE

COFFEE TABLE

83145



DIMENSIONS
 Width - 47.64"
 Depth - 22.83"
 Height - 17.64"

PARTS LIST

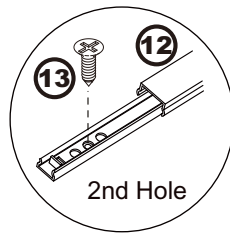
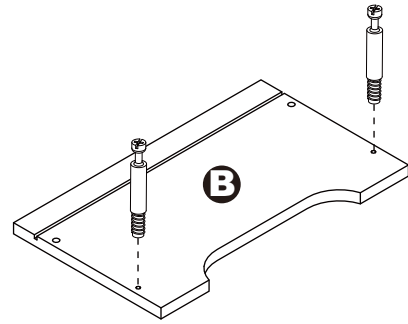
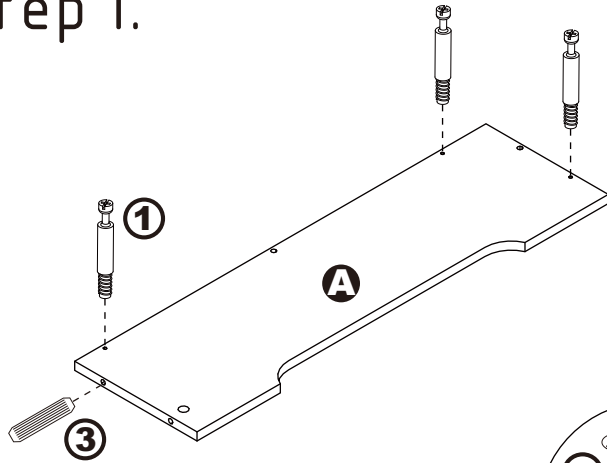
A X1 	E X1 	I X1 	M X1
B X1 	F X1 	J X1 	N X1
G X1 	G X1 	K X1 	O X2
D X1 	H X1 	L X1 	P X2
			Q X1

HARDWARE LIST

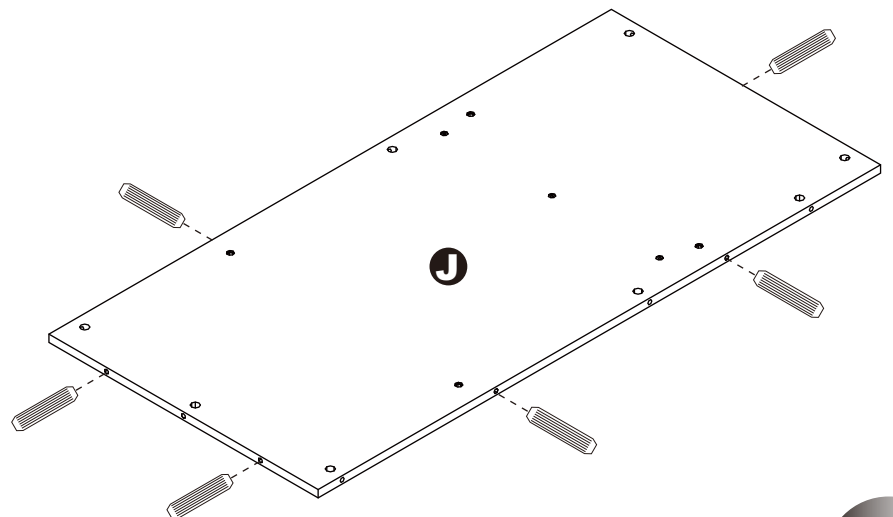
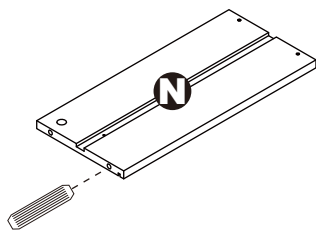
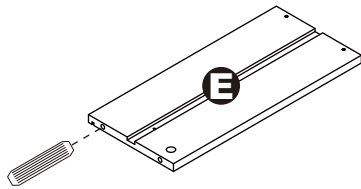
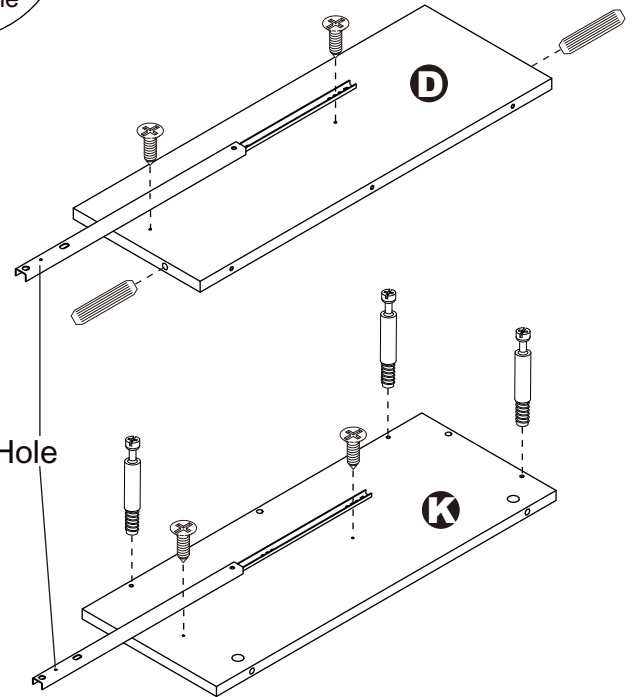
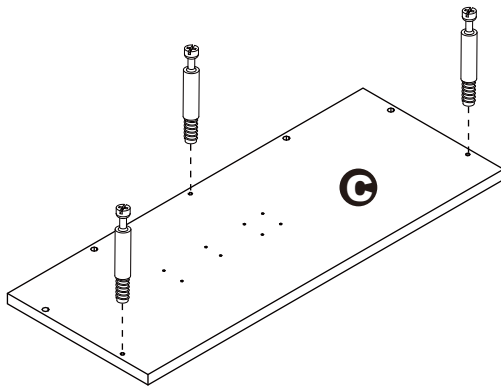
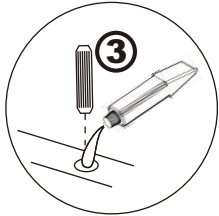
1 X17 	2 X17 	3 X13 	4 X7 	5 X2 	6 X3
7 X4 	8 X1 	9 X26 	10 X12 	11 X2 	12 X2
	13 X4 				

ASSEMBLY INSTRUCTIONS

Step 1.

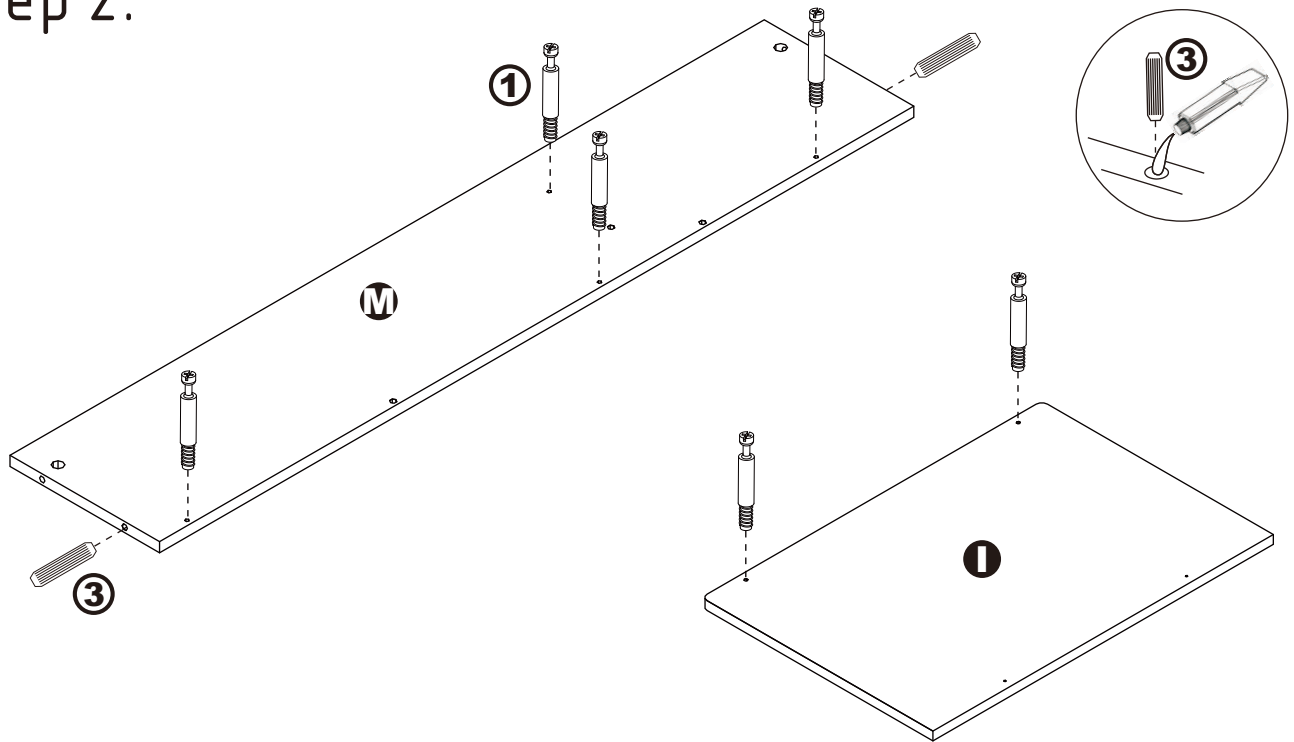


Push runner to see screw holes on the other end.

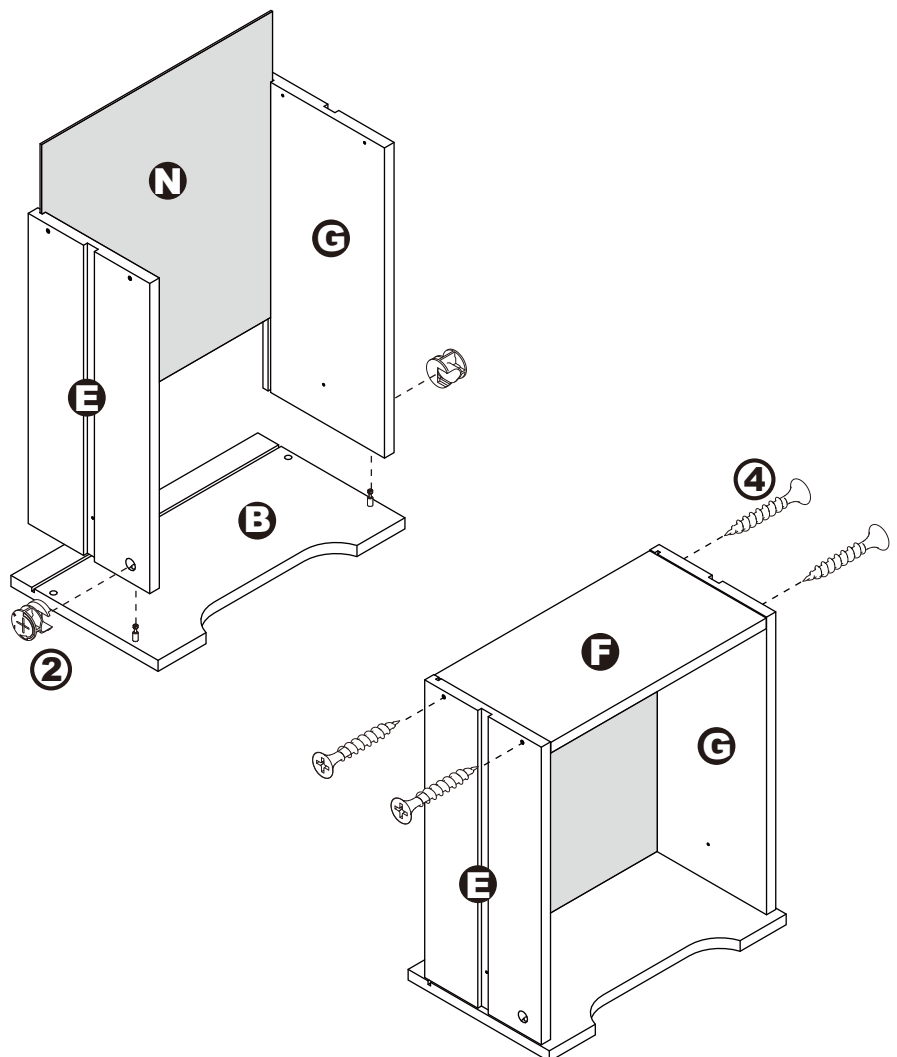
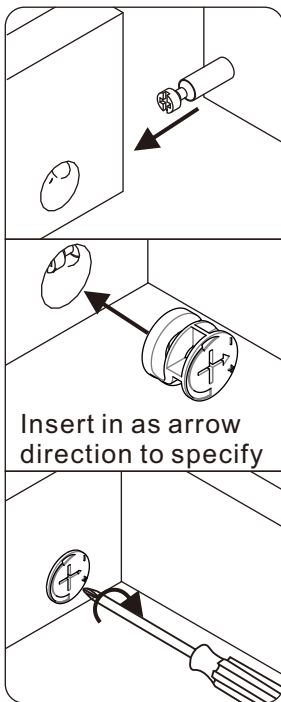


ASSEMBLY INSTRUCTIONS

Step 2.

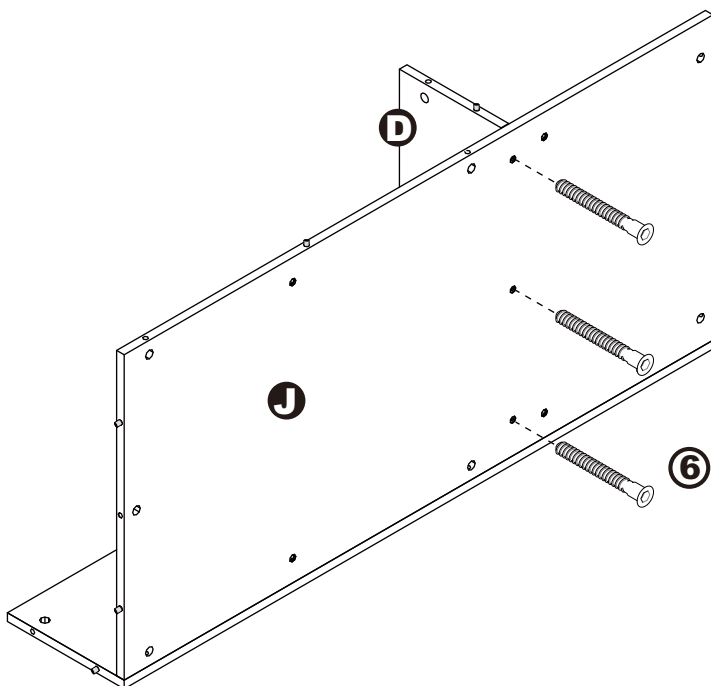
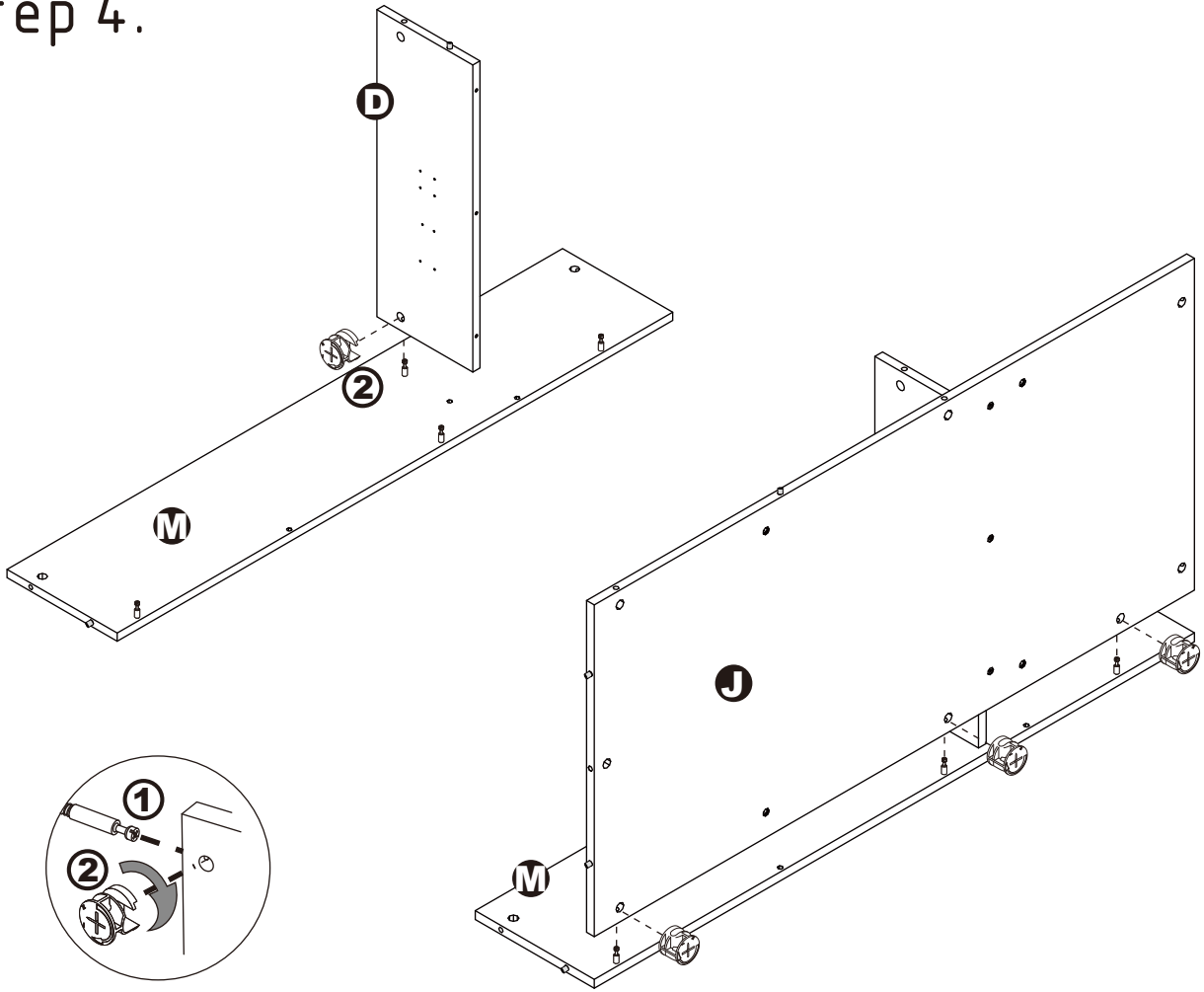


Step 3.



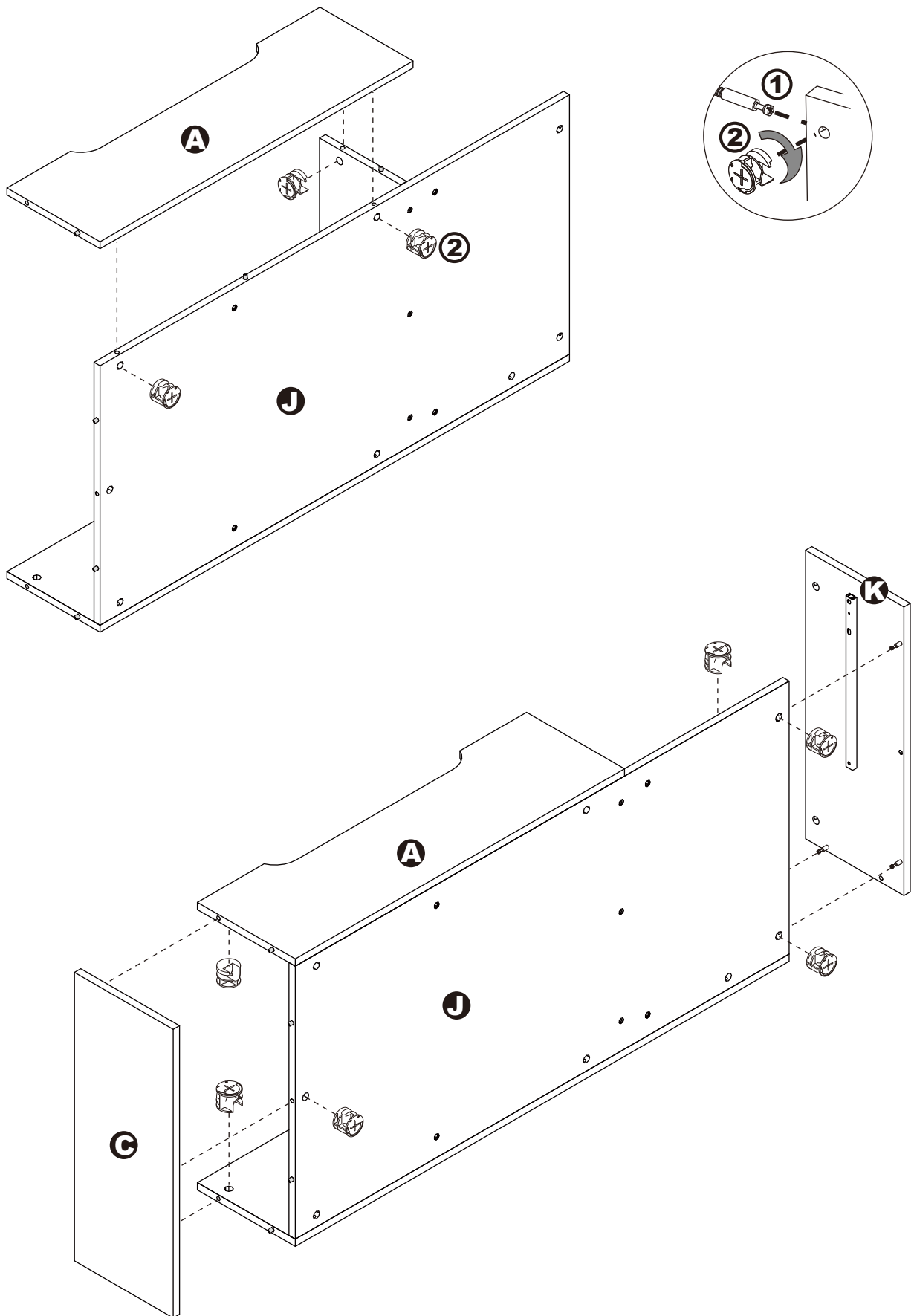
ASSEMBLY INSTRUCTIONS

Step 4.



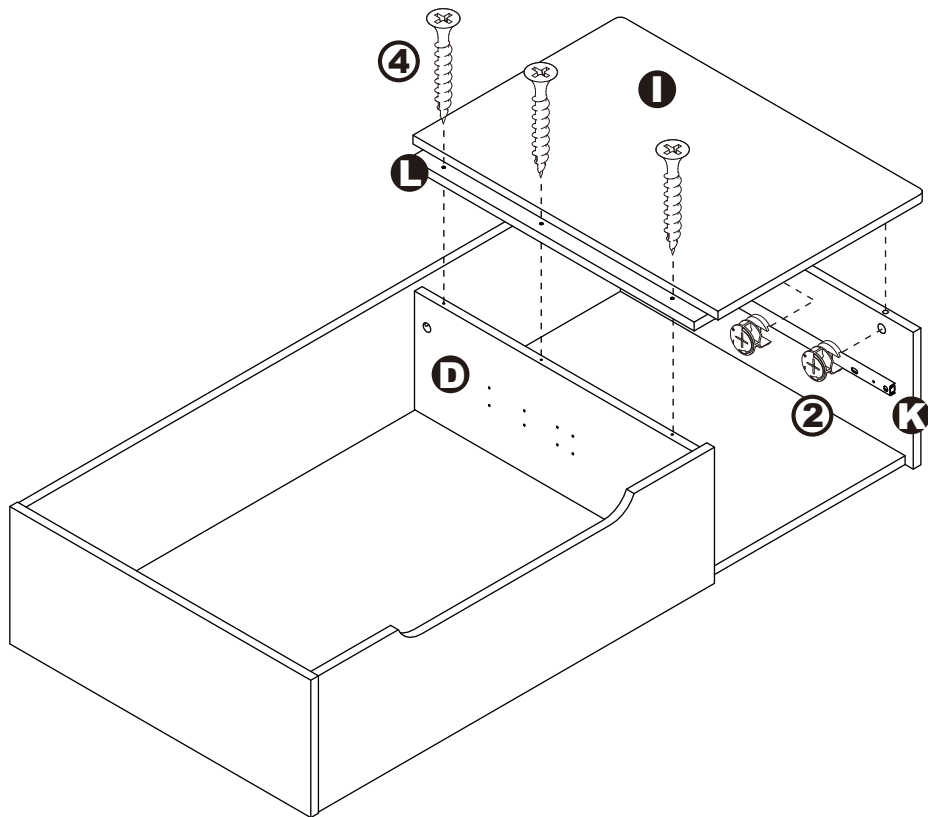
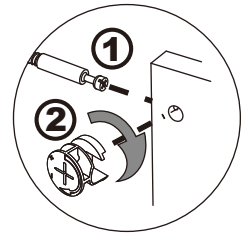
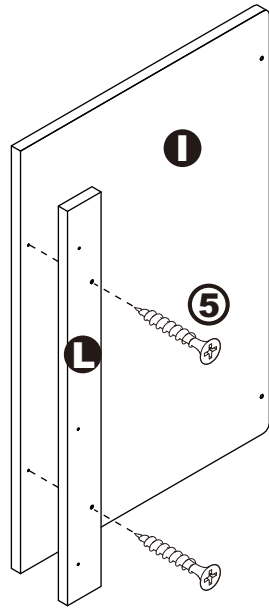
ASSEMBLY INSTRUCTIONS

Step 5.



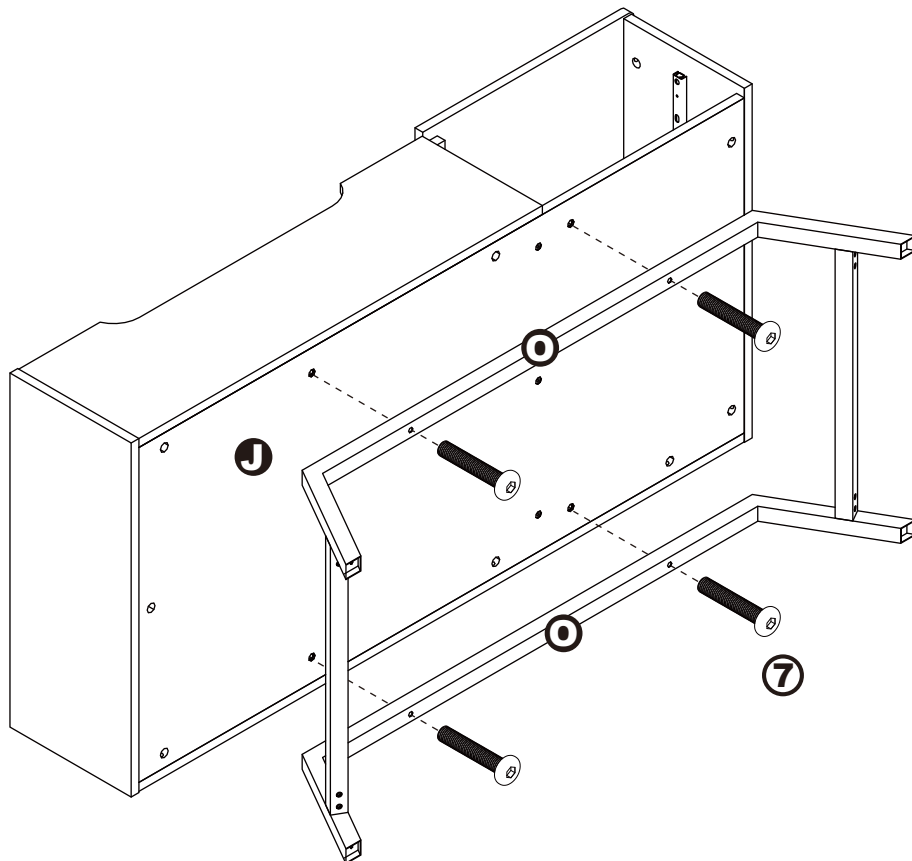
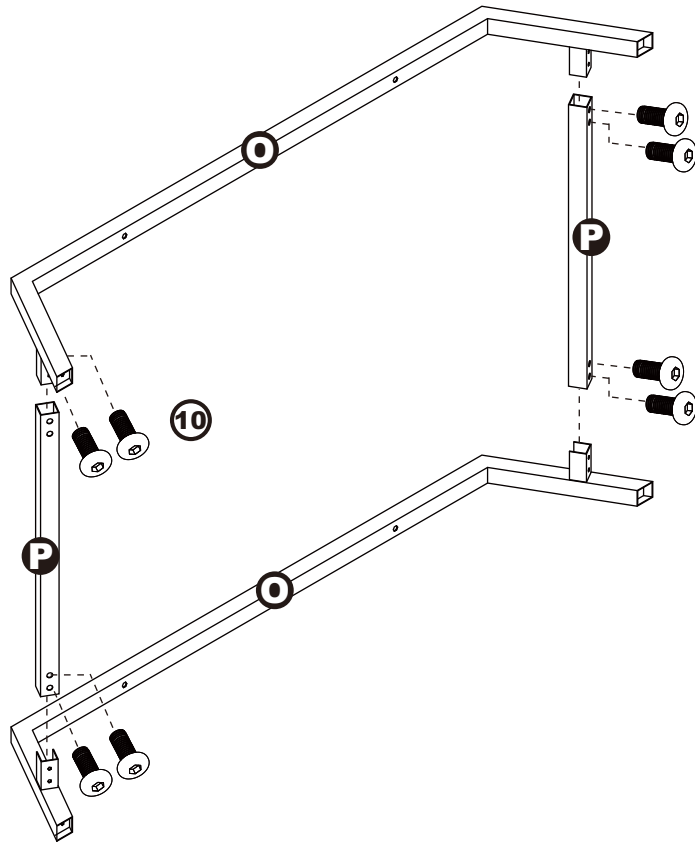
ASSEMBLY INSTRUCTIONS

Step 6.



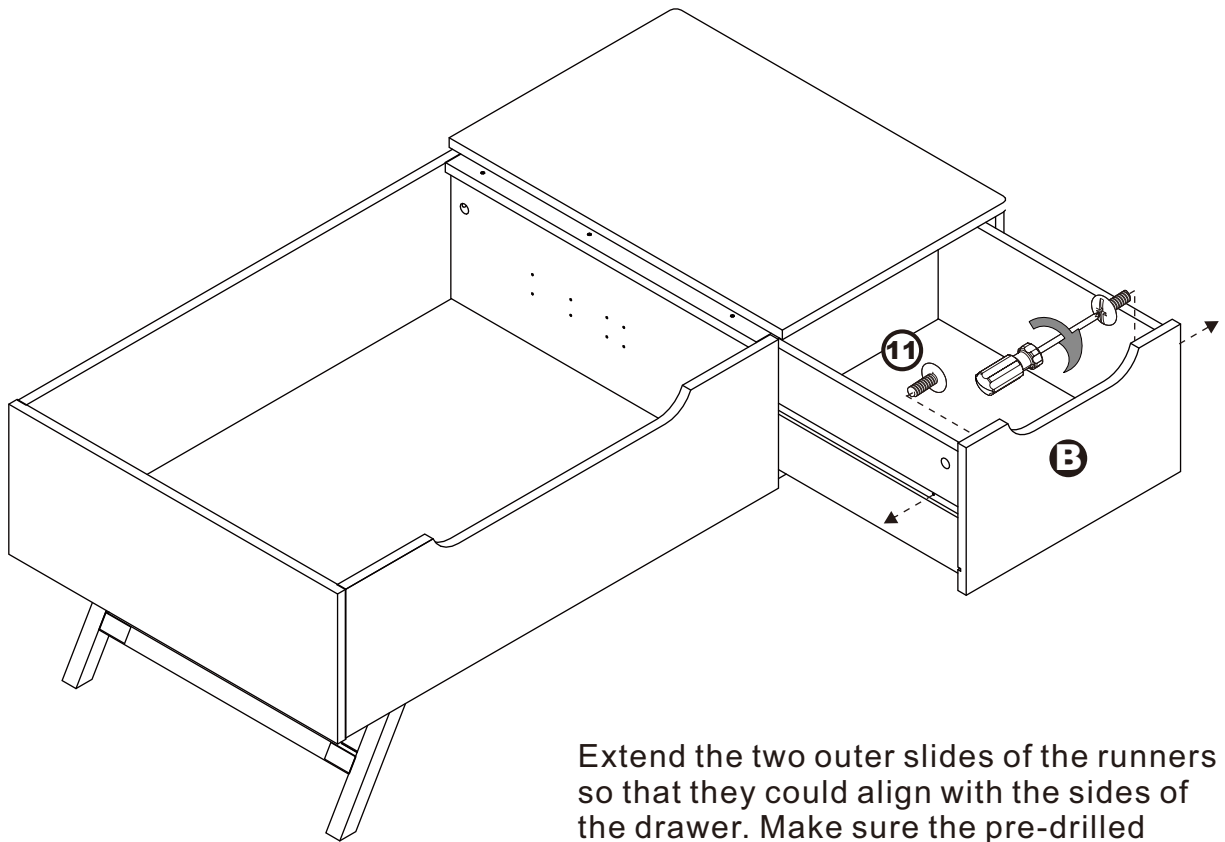
ASSEMBLY INSTRUCTIONS

Step 7.



ASSEMBLY INSTRUCTIONS

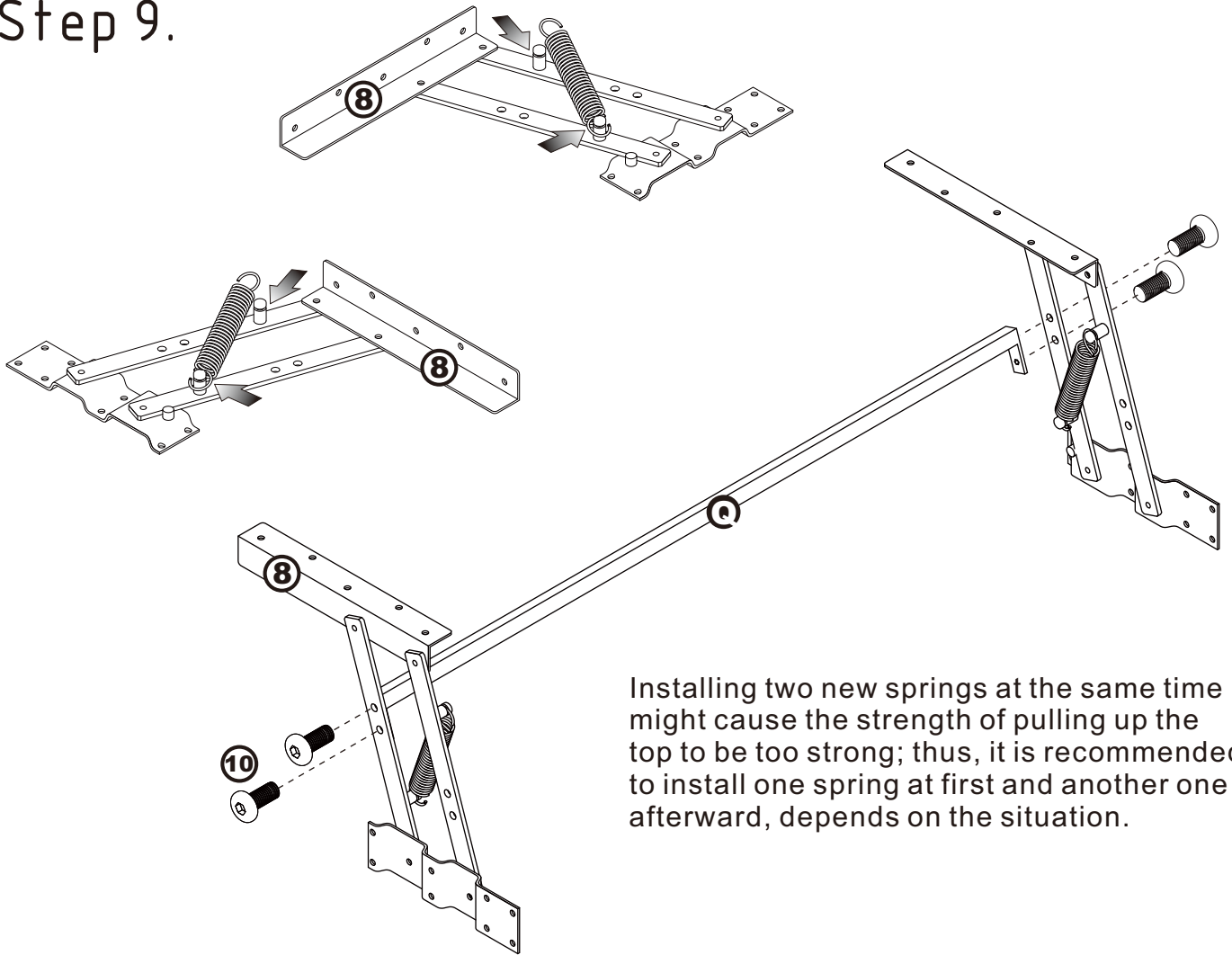
Step 8.



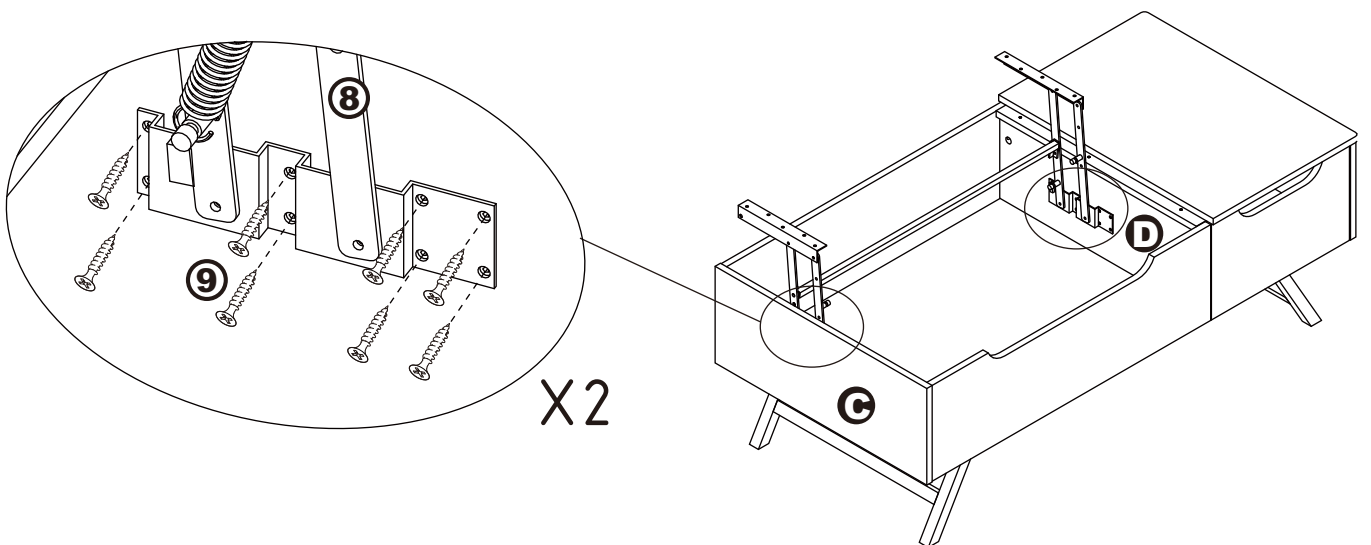
Extend the two outer slides of the runners so that they could align with the sides of the drawer. Make sure the pre-drilled holes from the drawer align with the screw holes of the outer slides. Secure two screws from the inside of the drawer using a Phillips screwdriver to tighten them to the outer slides.

ASSEMBLY INSTRUCTIONS

Step 9.

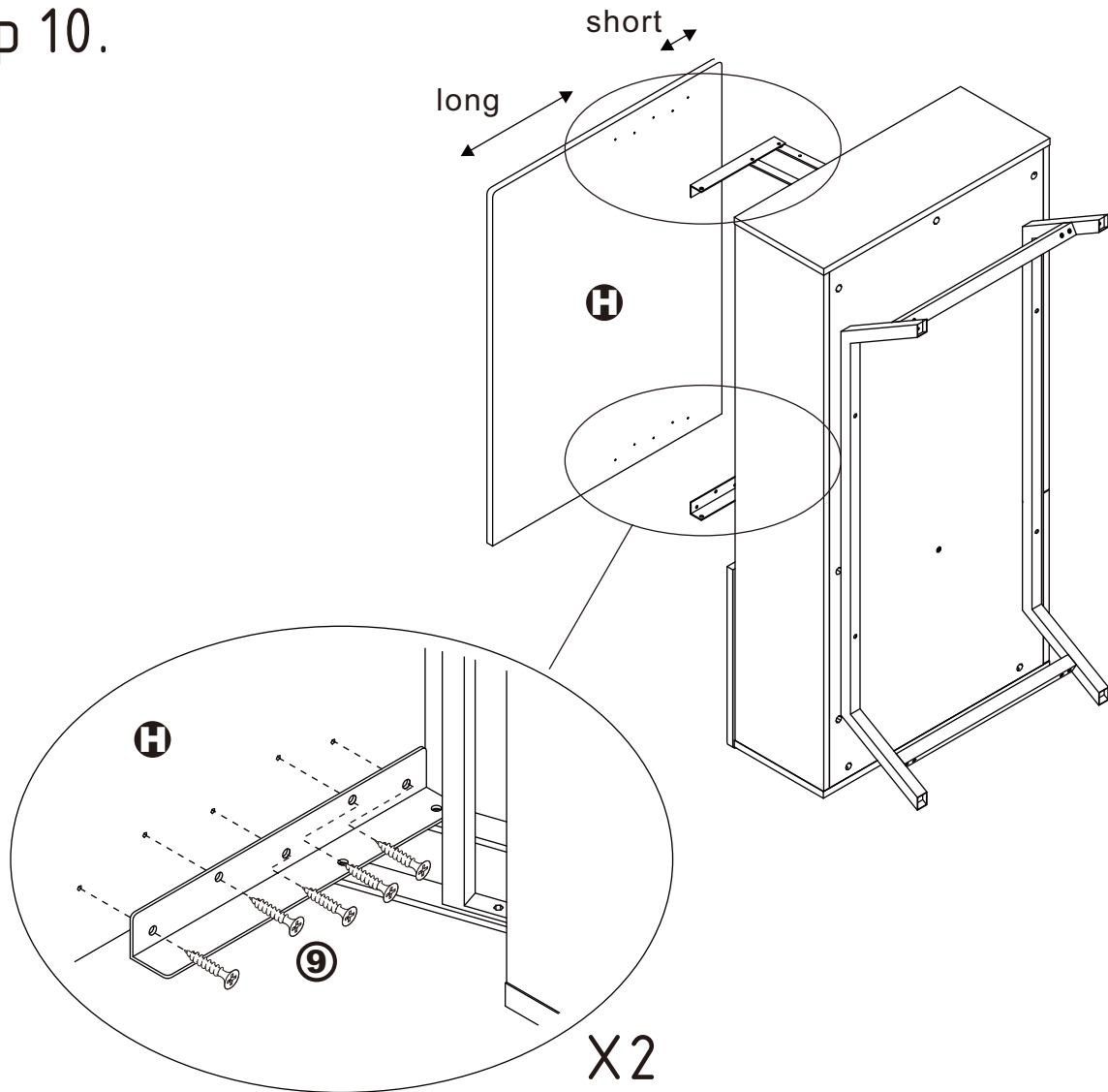


Installing two new springs at the same time might cause the strength of pulling up the top to be too strong; thus, it is recommended to install one spring at first and another one afterward, depends on the situation.



ASSEMBLY INSTRUCTIONS

Step 10.



ASSEMBLY IS COMPLETED

Make sure the product is rested on a flat surface and does not feel loose or wobbly. If it does, double check that the bolts/screws are secured and properly tightened.