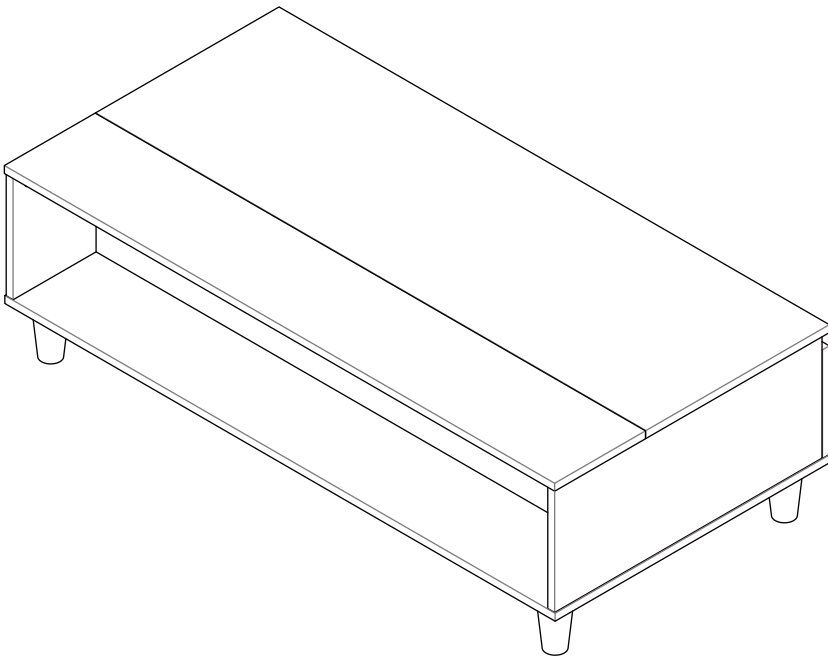


*ASSEMBLY INSTRUCTIONS*

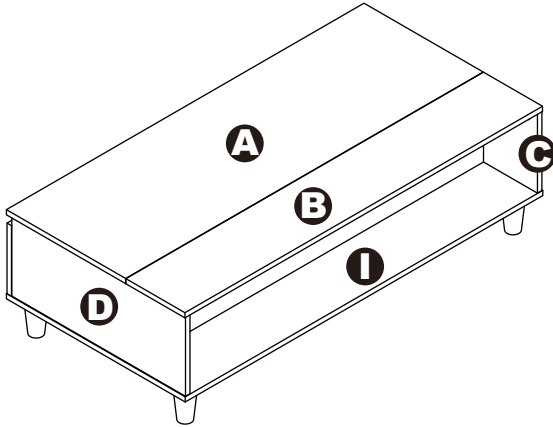
83140



**COFFEE TABLE**

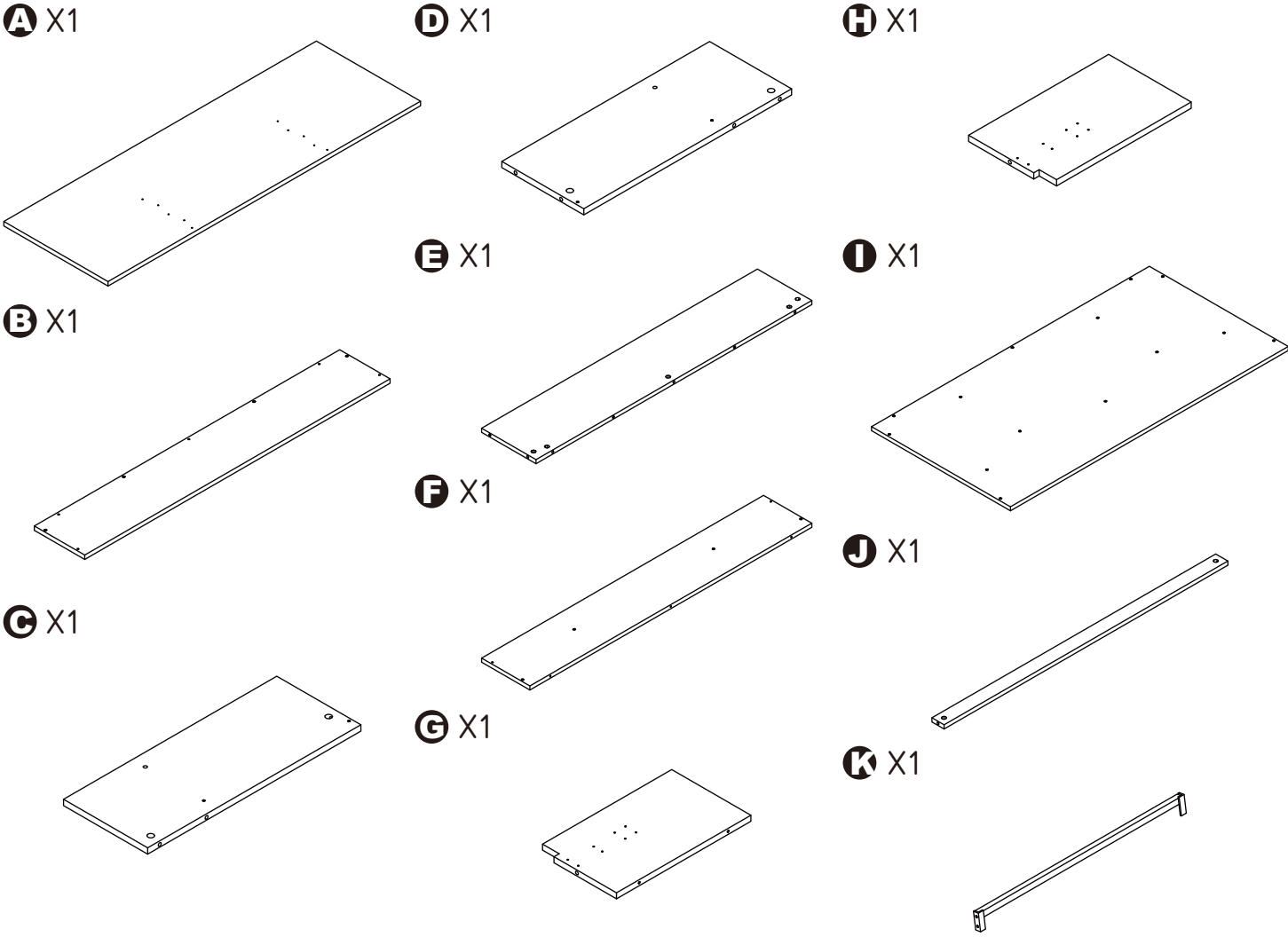
# COFFEE TABLE

83140

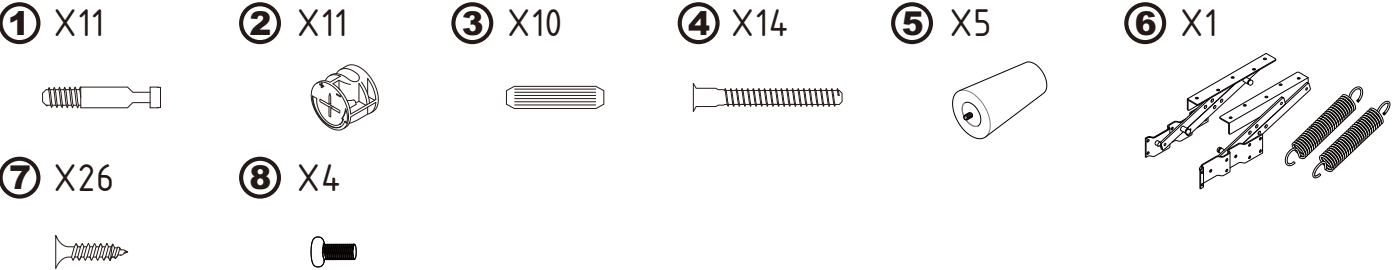


**DIMENSIONS**  
 Width - 47.24"  
 Depth - 23.62"  
 Height - 14.17"

## PARTS LIST

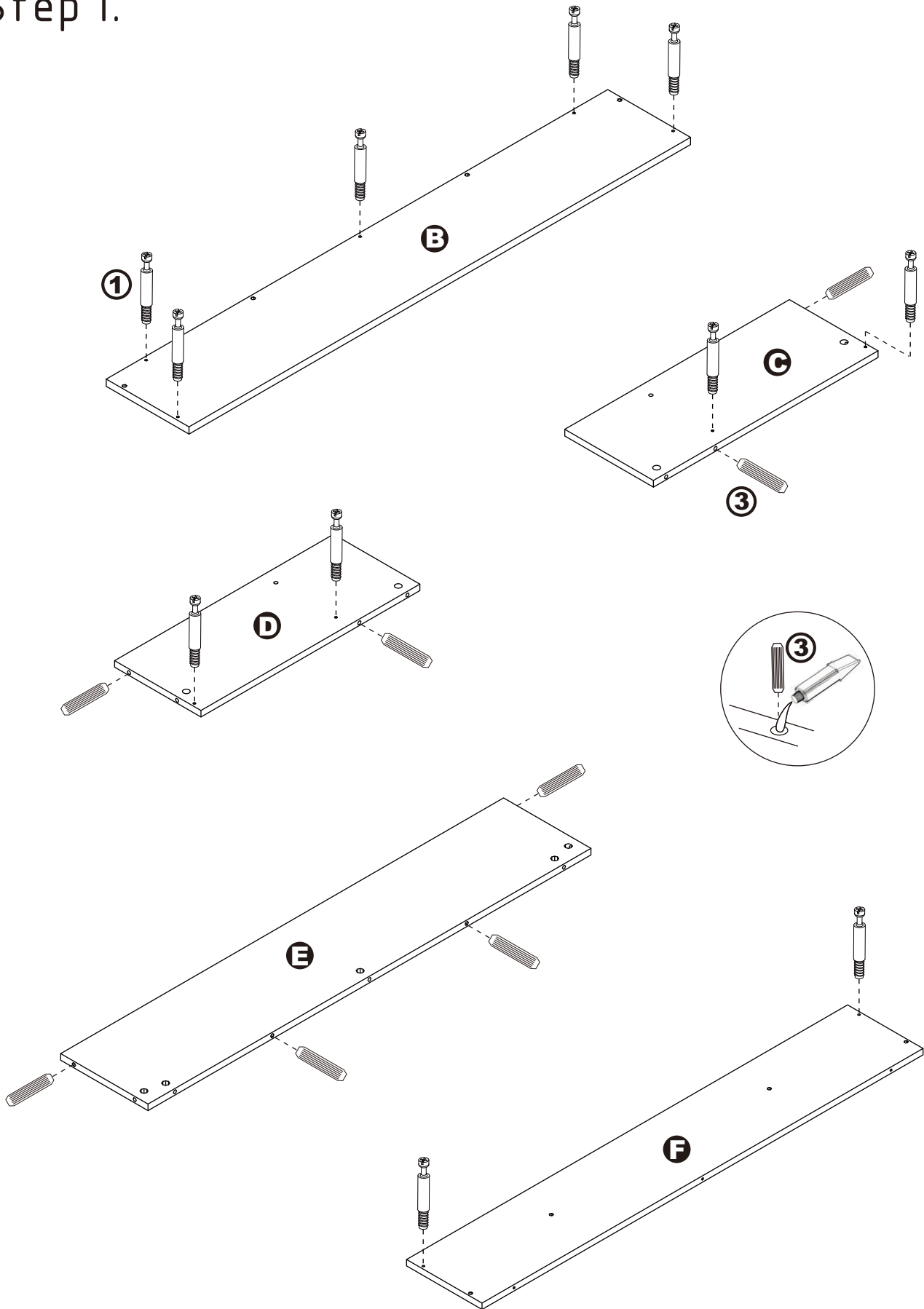


## HARDWARE LIST



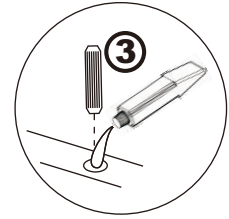
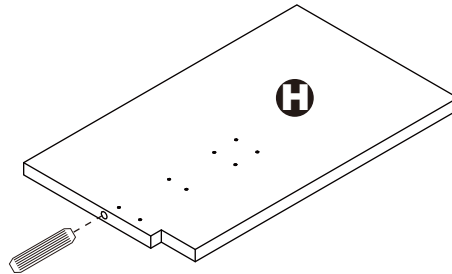
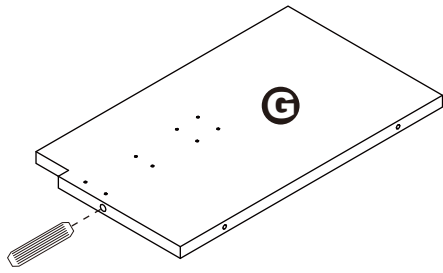
# ASSEMBLY INSTRUCTIONS

## Step 1.

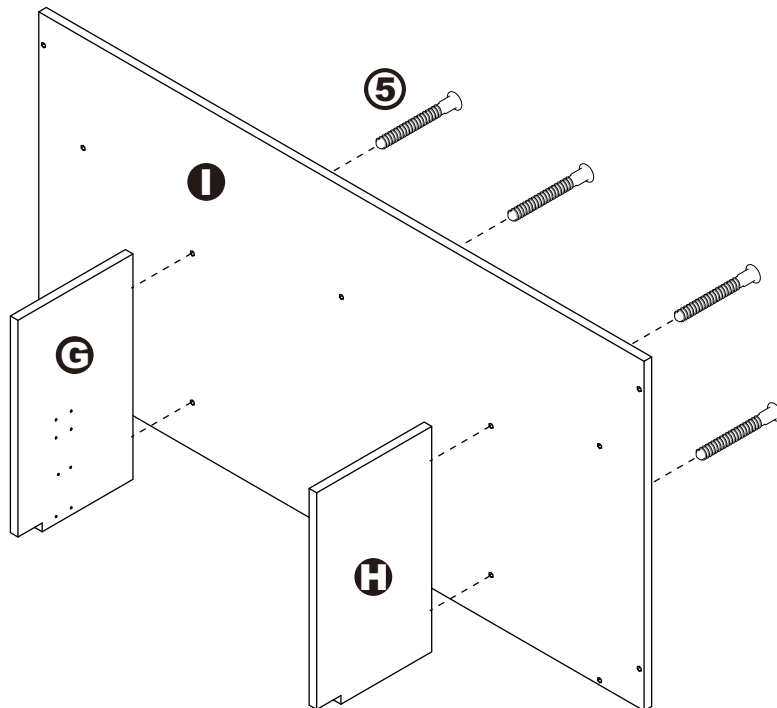


# ASSEMBLY INSTRUCTIONS

Step 2.

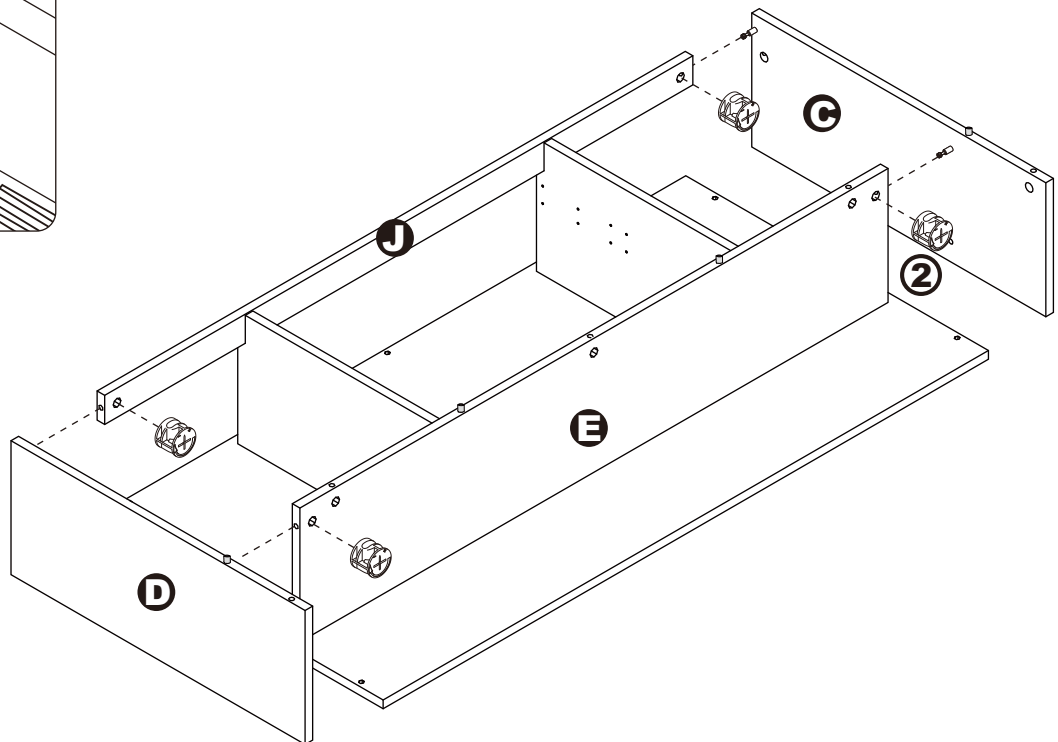
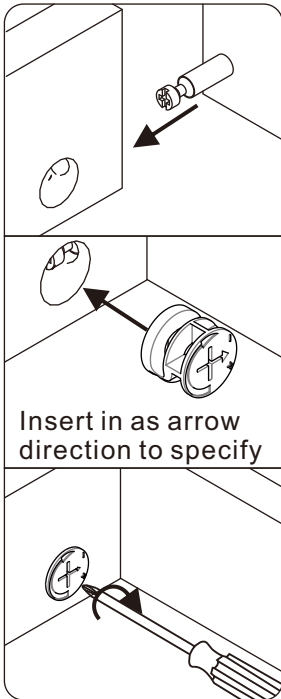
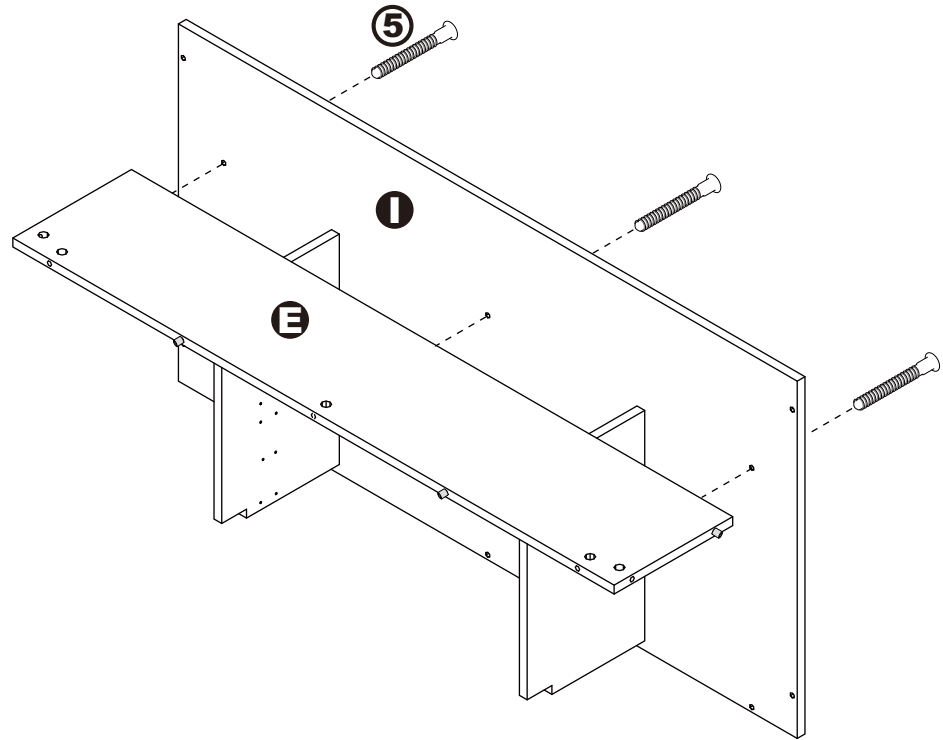


Step 3.



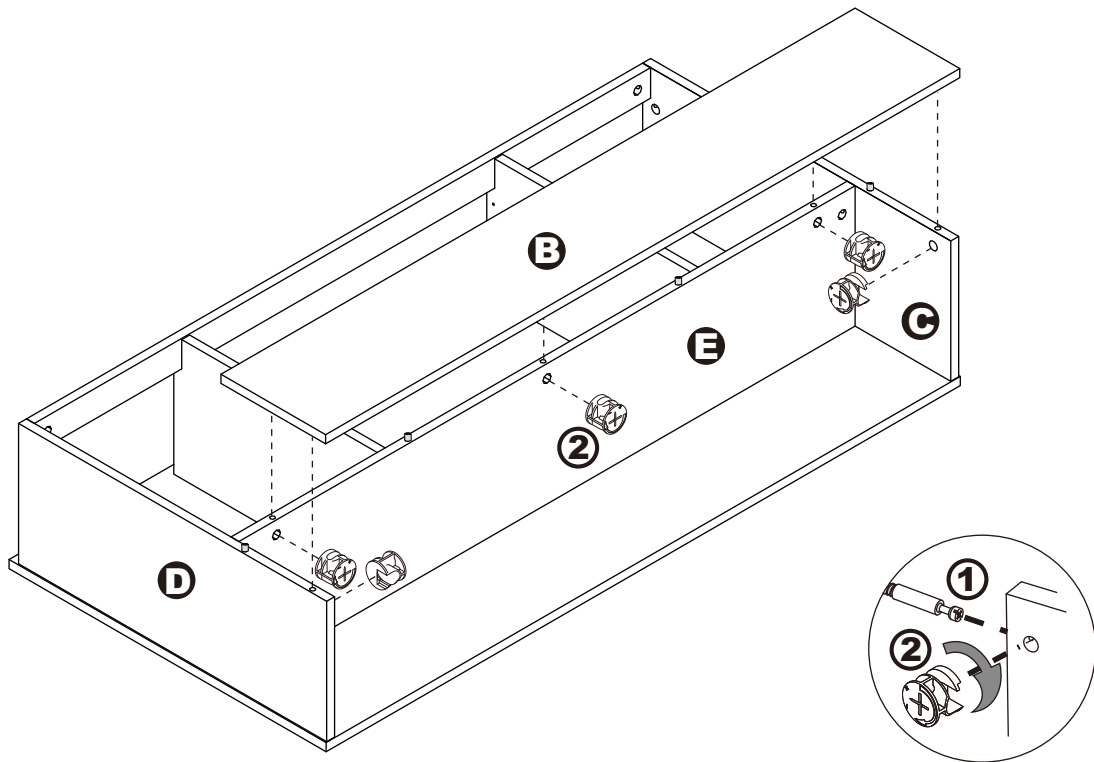
# ASSEMBLY INSTRUCTIONS

## Step 4.



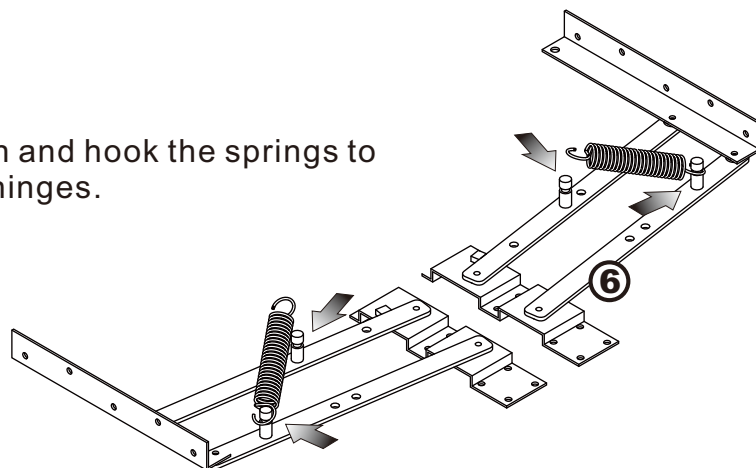
# ASSEMBLY INSTRUCTIONS

## Step 5.



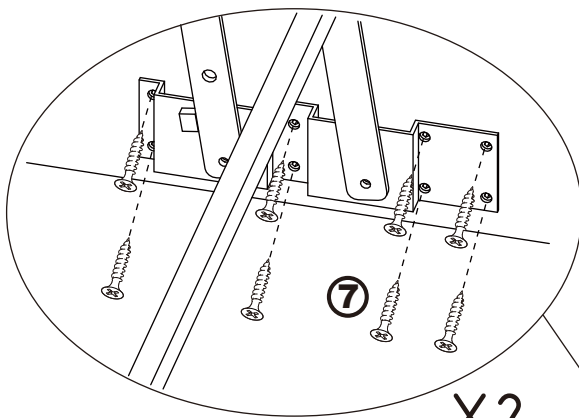
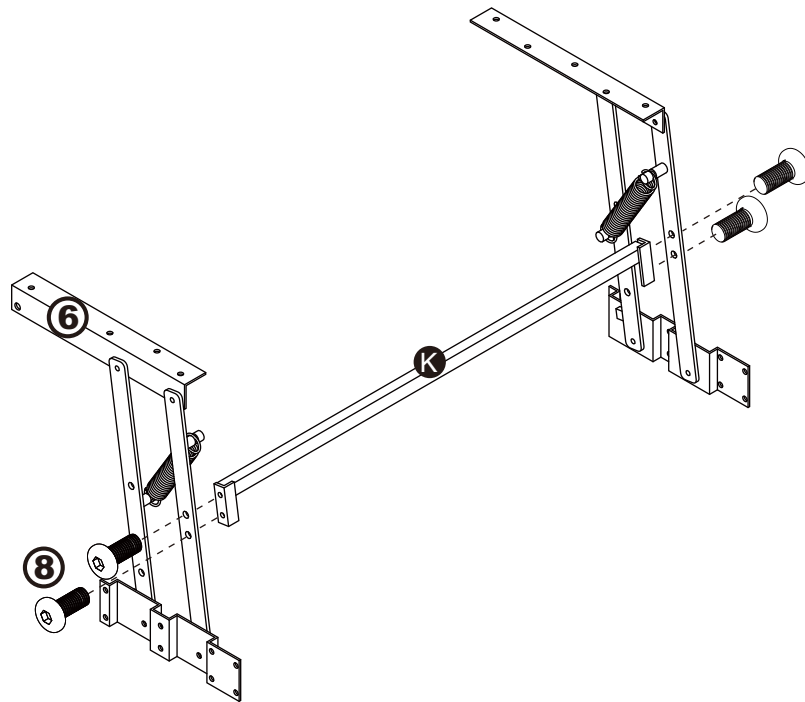
## Step 6.

Align and hook the springs to the hinges.

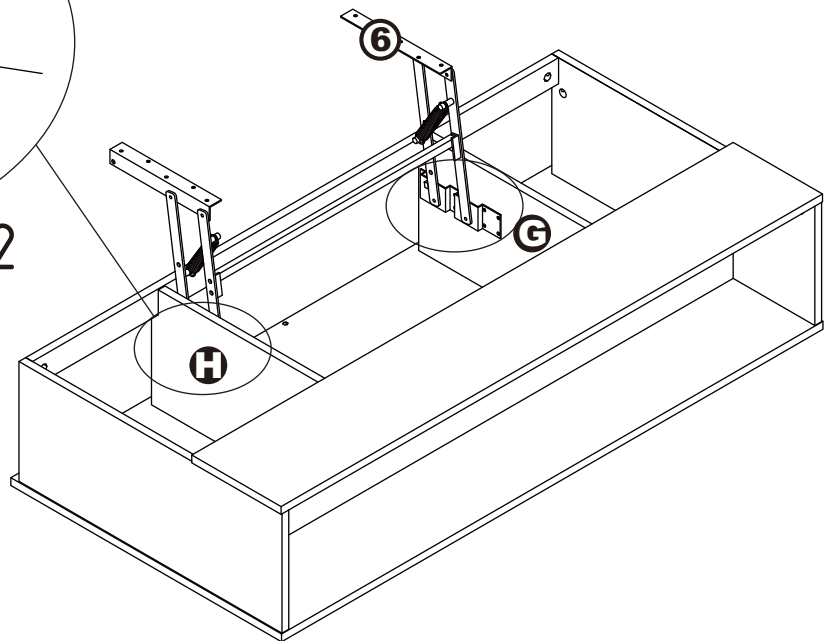


# ASSEMBLY INSTRUCTIONS

## Step 7.

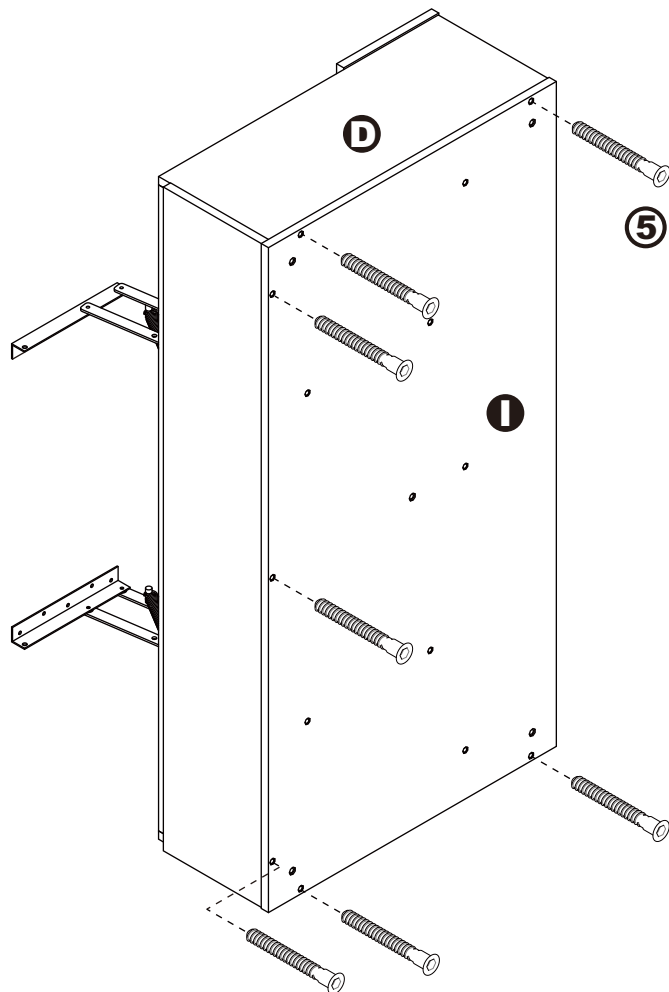
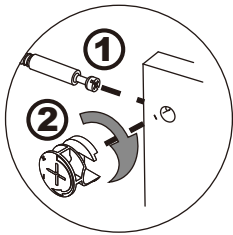
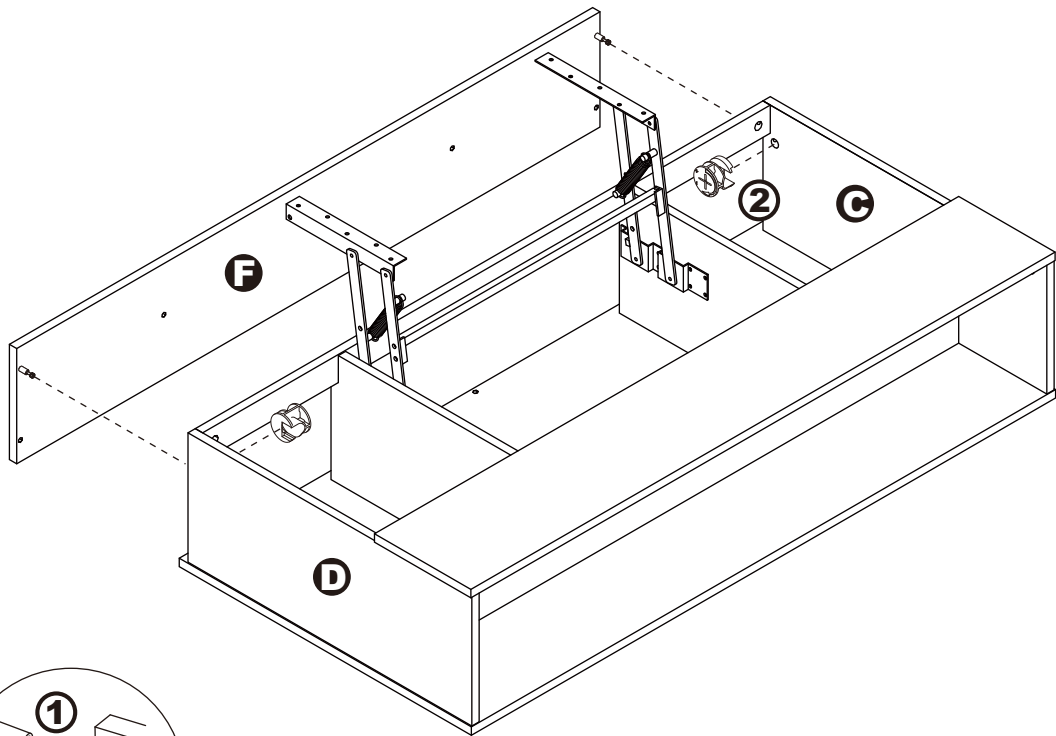


X2



# ASSEMBLY INSTRUCTIONS

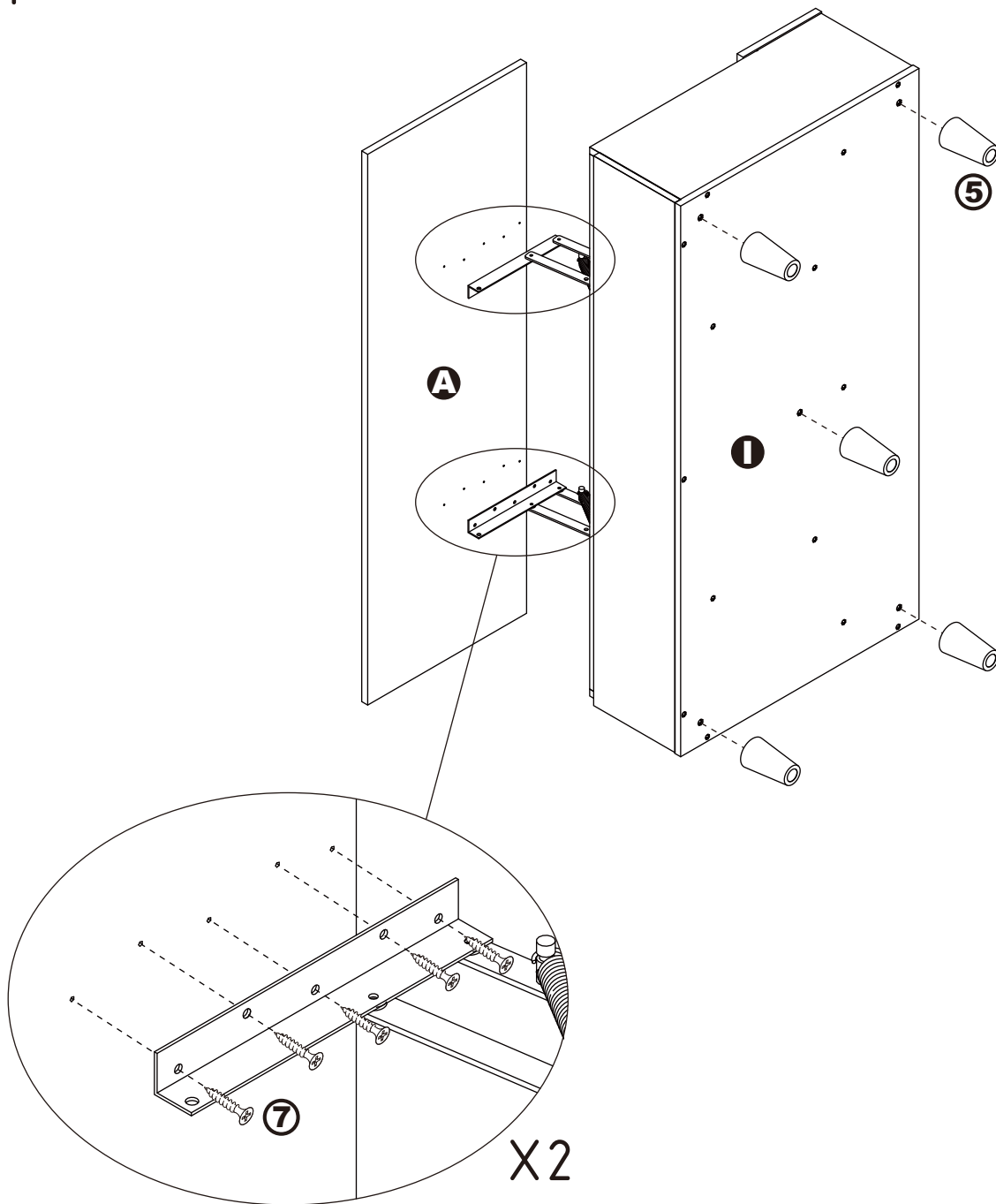
Step 8.





# ASSEMBLY INSTRUCTIONS

## Step 9.



### ASSEMBLY IS COMPLETED

Make sure the product is rested on a flat surface and does not feel loose or wobbly. If it does, double check that the bolts/screws are secured and properly tightened.