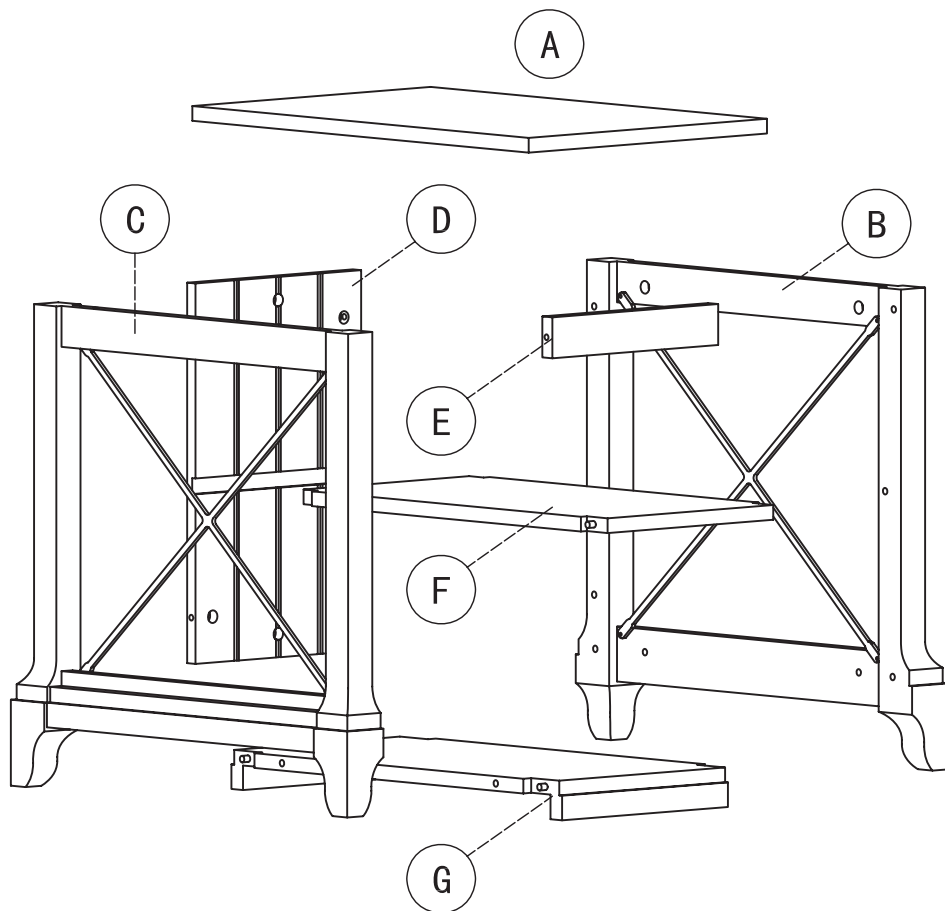
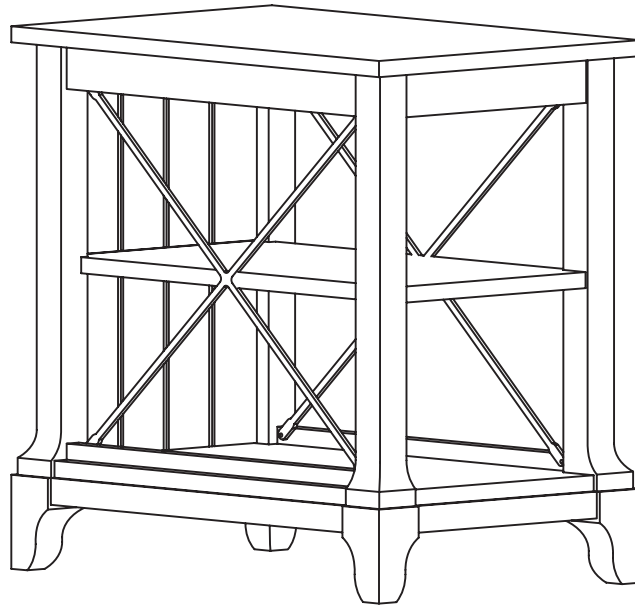
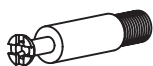


# End table

Item no.82909



1



16 pcs

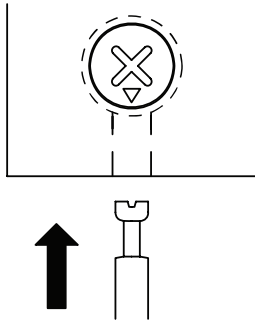
2



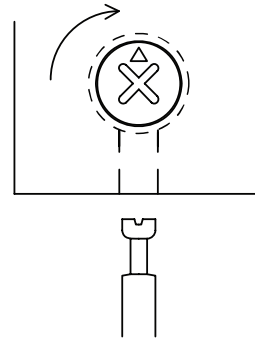
16 pcs

## CAM LOCK SYSTEM

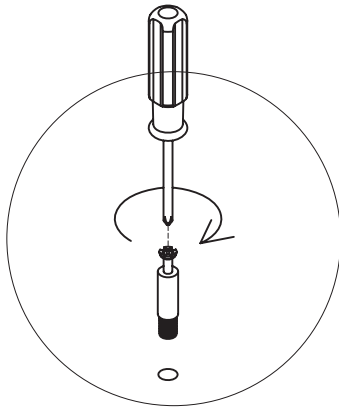
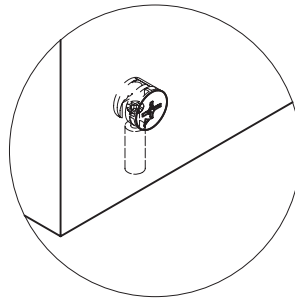
(1)



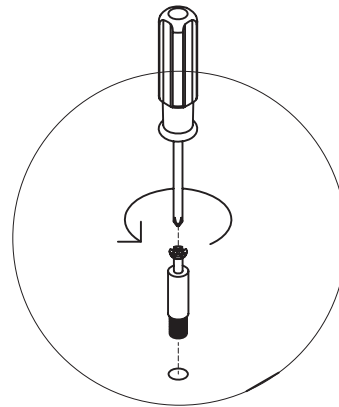
(2)



## IMPORTANT NOTE--CAM LOCK ADJUSTMENT

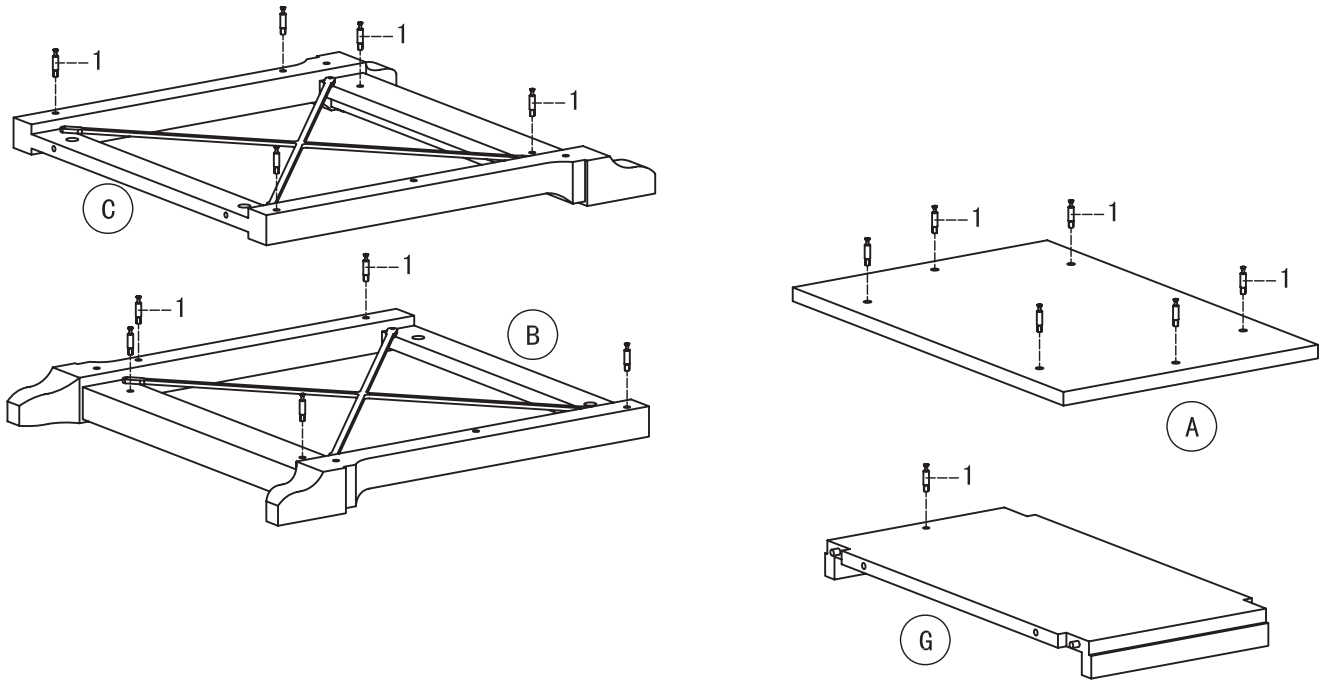


If Cam Lock  
is too loose,  
Please adjust Metal  
Dowel to turn right  
as drawing.

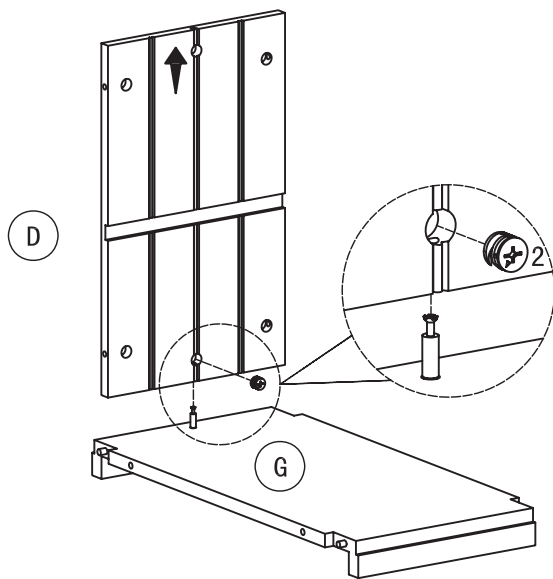


If Cam Lock  
is too tight,  
Please adjust Metal  
Dowel to turn left  
as drawing.

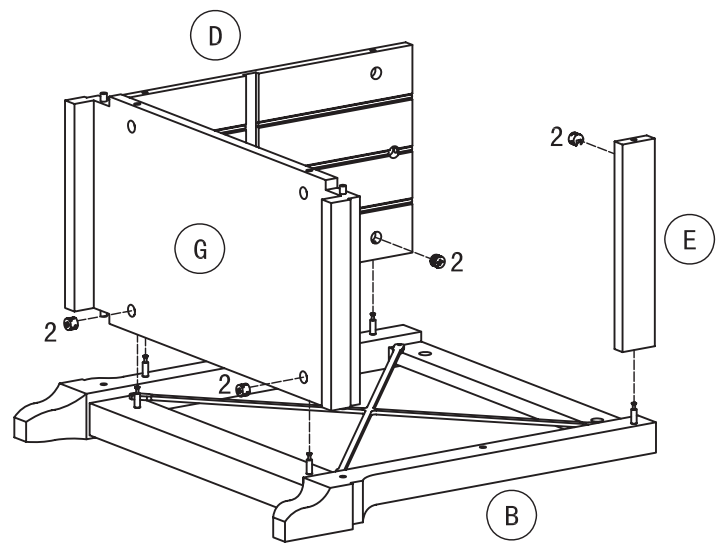
### Step 1



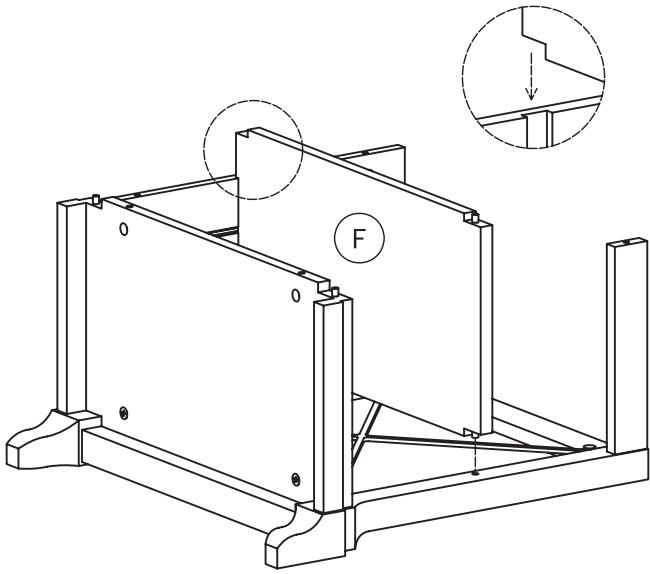
### Step 2



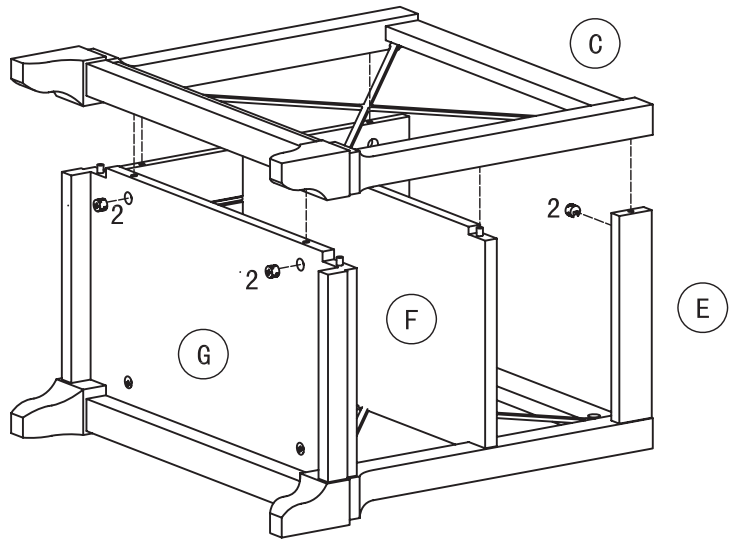
### Step 3



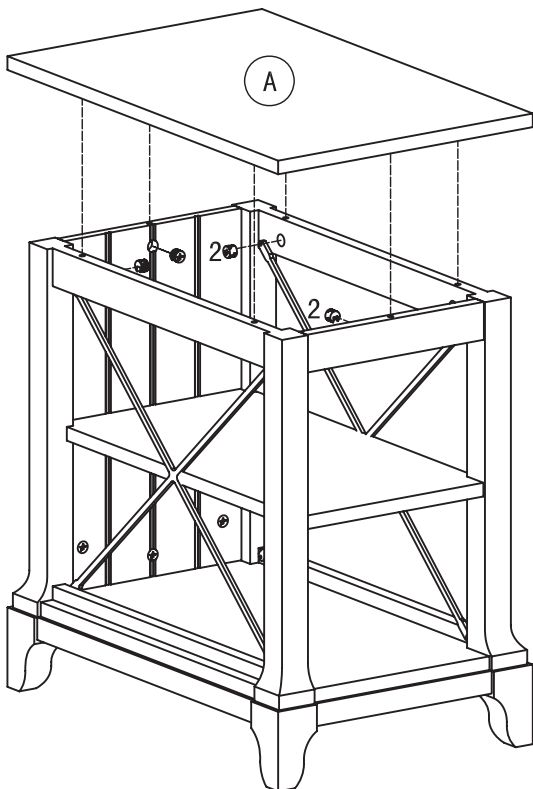
Step 4



Step 5



Step 6



Step 7

