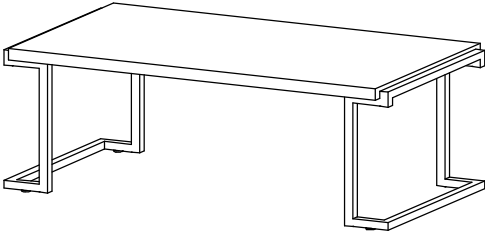
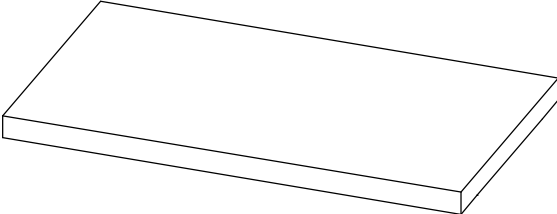
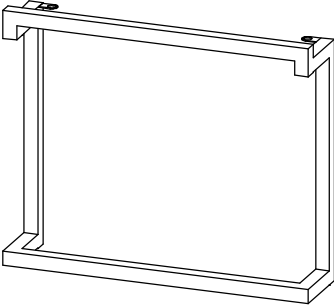
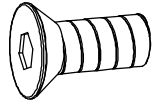
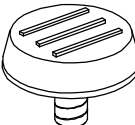
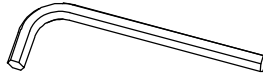


**ITEM NO. 82870 COFFEE TABLE**

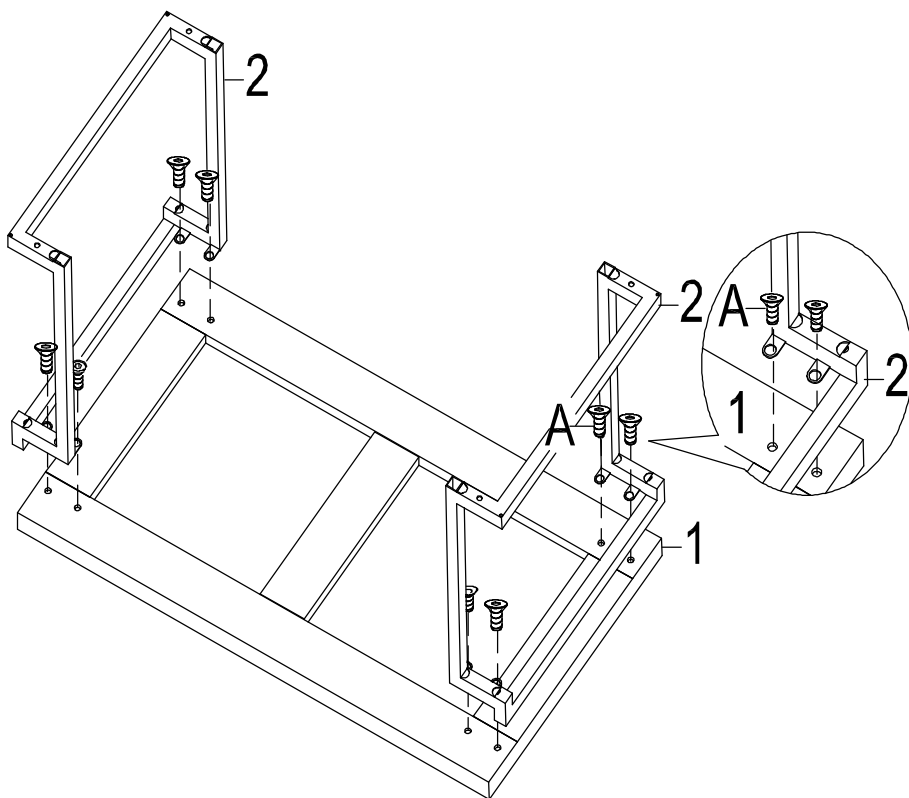


**ASSEMBLY INSTRUCTIONS**

<p style="text-align: center;"><b>1</b></p>  <p style="text-align: center;"><b>TABLE TOP 1PC</b></p>	<p style="text-align: center;"><b>2</b></p>  <p style="text-align: center;"><b>SIDE FRAME 2PCS</b></p>	
<p style="text-align: center;"><b>A</b></p>  <p style="text-align: center;"><b>BOLT 1/4"X1/2" 8PCS</b></p>	<p style="text-align: center;"><b>B</b></p>  <p style="text-align: center;"><b>LEVELER 4PCS</b></p>	<p style="text-align: center;"><b>C</b></p>  <p style="text-align: center;"><b>ALLEN KEY 1PC</b></p>

**\*\*\* Do not tighten screws & bolts until the entire unit is completely assembled. \*\*\***

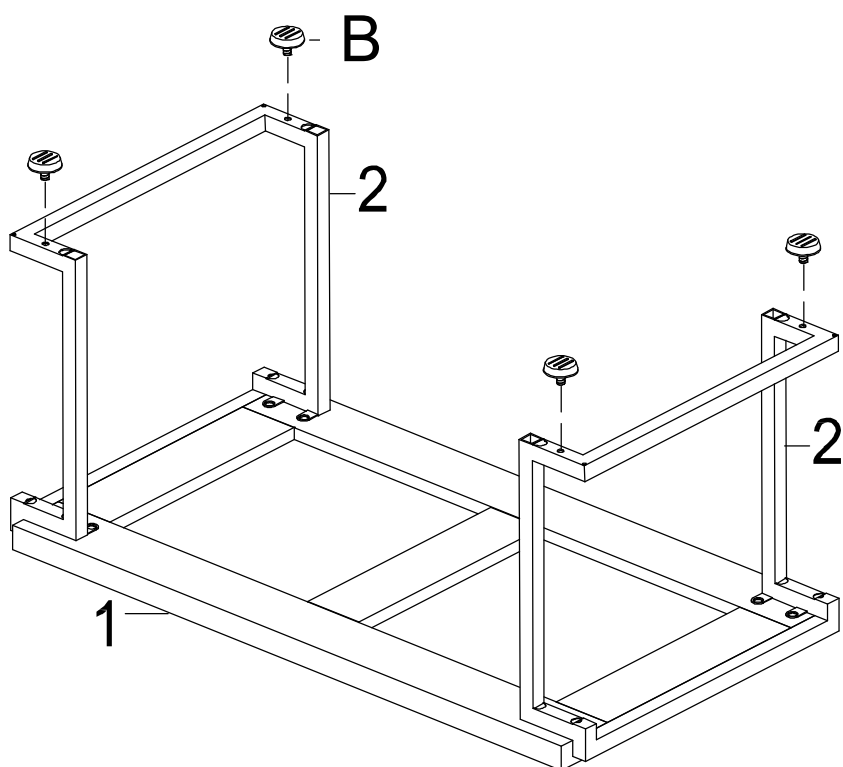
## STEP 1



\*Please put all parts on a soft surface to prevent scratches.

Attach side frame (2) to table top (1) by using bolt (A) as shown.

## STEP 2



Screw leveler (B) to the bottom of side frame (2) as shown.

Turn the unit right side up.

Your coffee table is now complete.