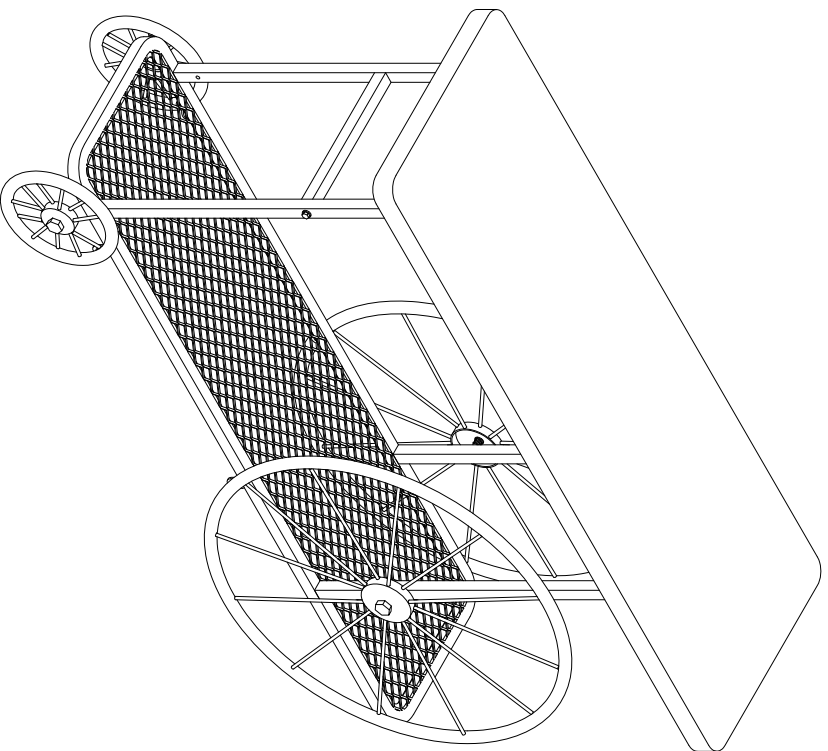


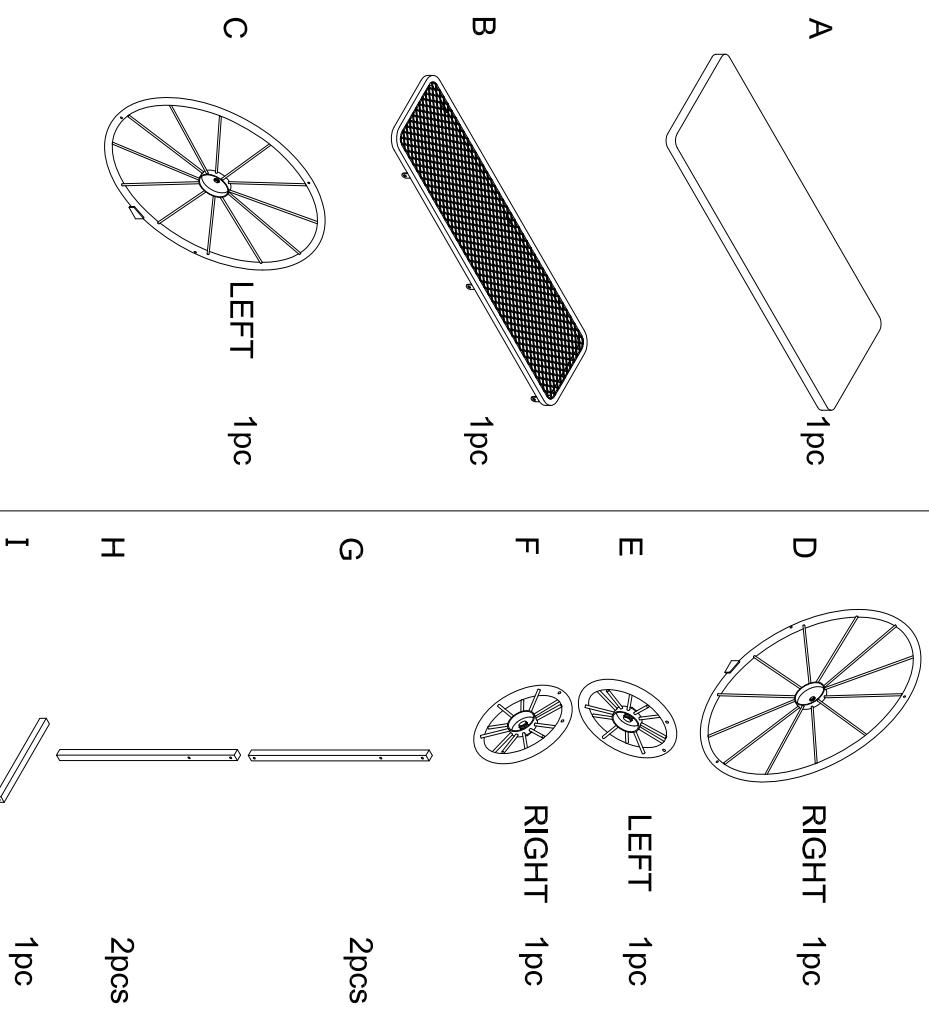
ASSEMBLY INSTRUCTIONS

Item No.:82863








Do not tighten screws until completely assembled.

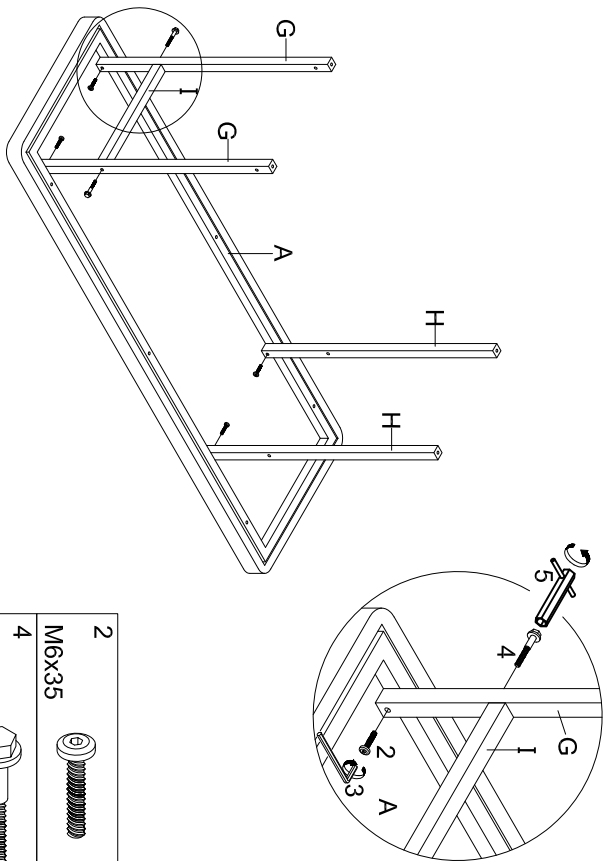
PARTS IDENTIFICATION


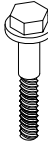


HARDWARE LIST

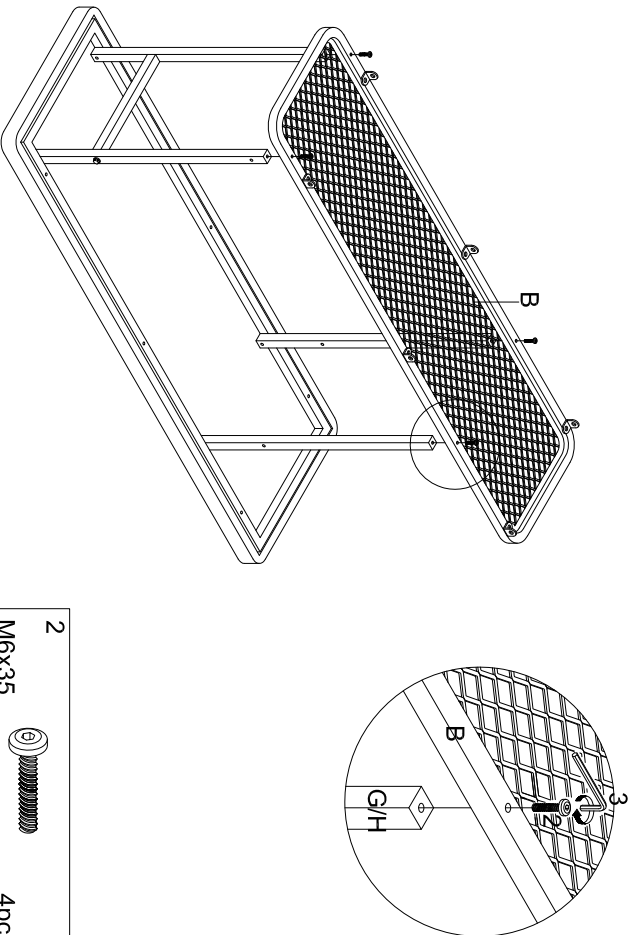
1		6pcs	2		12pcs	3		1pc
M6x15			M6x35		4x4			
4		2pcs	5		1pc			
M6x35								


STEP 1.



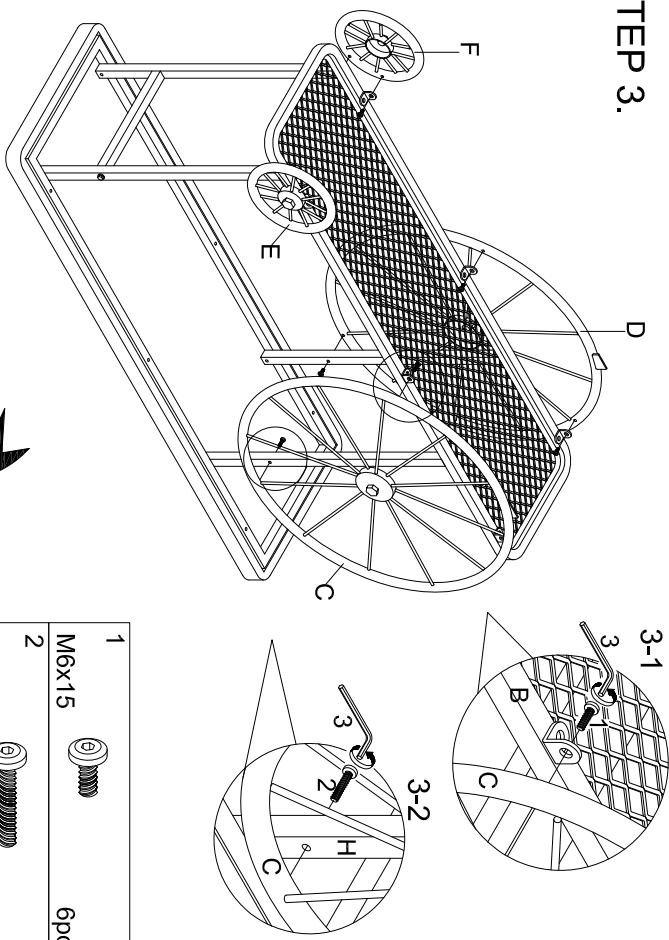
2		4pcs
M6x35		
4		2pcs
M6x35		



STEP 2.



2		4pcs
M6x35		

STEP 3.



1		6pcs
M6x15		
2		4pcs
M6x35		

STEP 4.

