



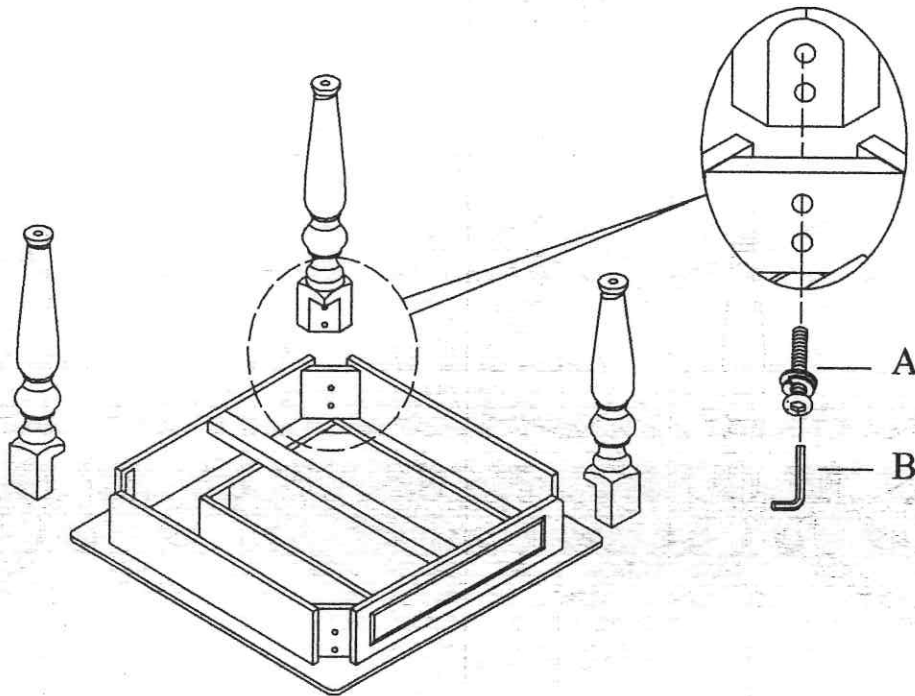
# ASSEMBLY INSTRUCTIONS

ITEM NO.: 82746 END TABLE

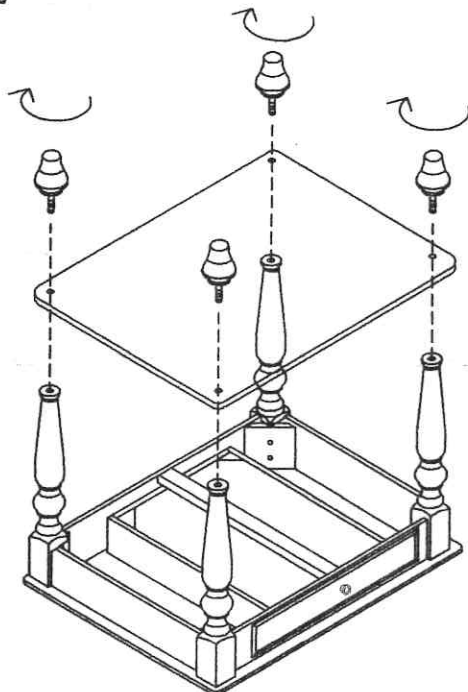
Do not tighten screws until completely Assembled

Hardware List			
A		Ø5/16"*2"L	8
B		5mm	1

## STEP 1



## STEP 2



## STEP 3

