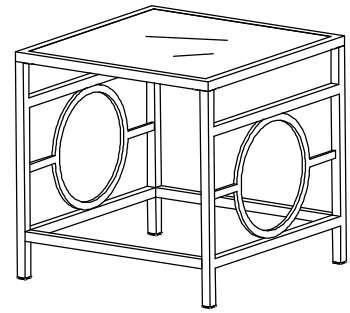
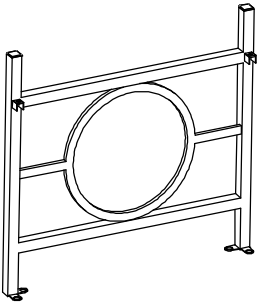
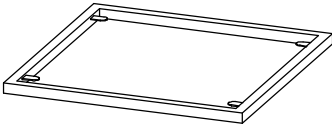
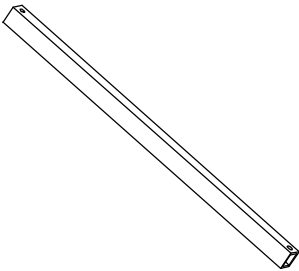
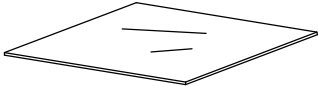
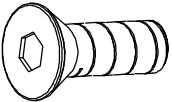
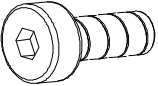

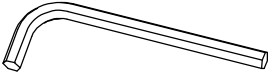


ITEM NO. 82052 END TABLE

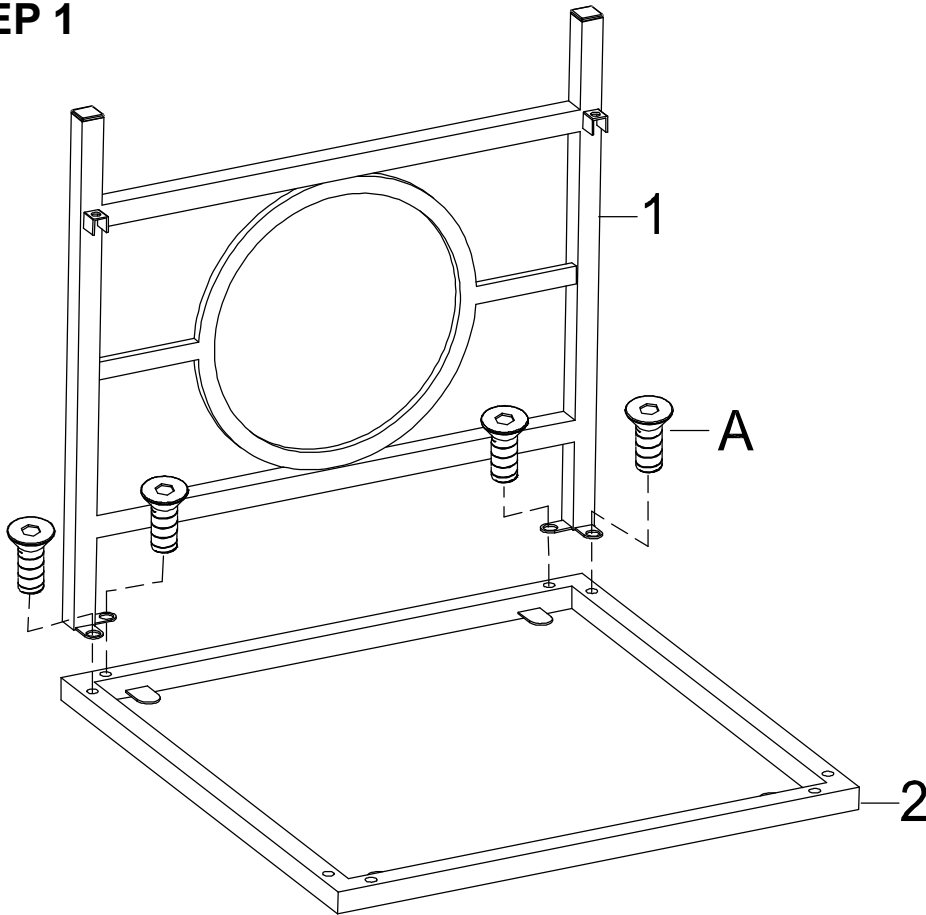


ASSEMBLY INSTRUCTIONS

1	2	3	4
 <p>SIDE PANEL 2PCS</p>	 <p>TOP FRAME 1PC</p>	 <p>STRETCHER 2PCS</p>	 <p>GLASS TOP 1PC</p>
A	B	C	D
 <p>BOLT 1/4"X1/2" 8PCS</p>	 <p>BOLT 1/4"X1/2" 4PCS</p>	 <p>GLASS PAD 4PCS</p>	 <p>ALLEN KEY 1PC</p>

***** Do not tighten screws & bolts until the entire unit is completely assembled. *****

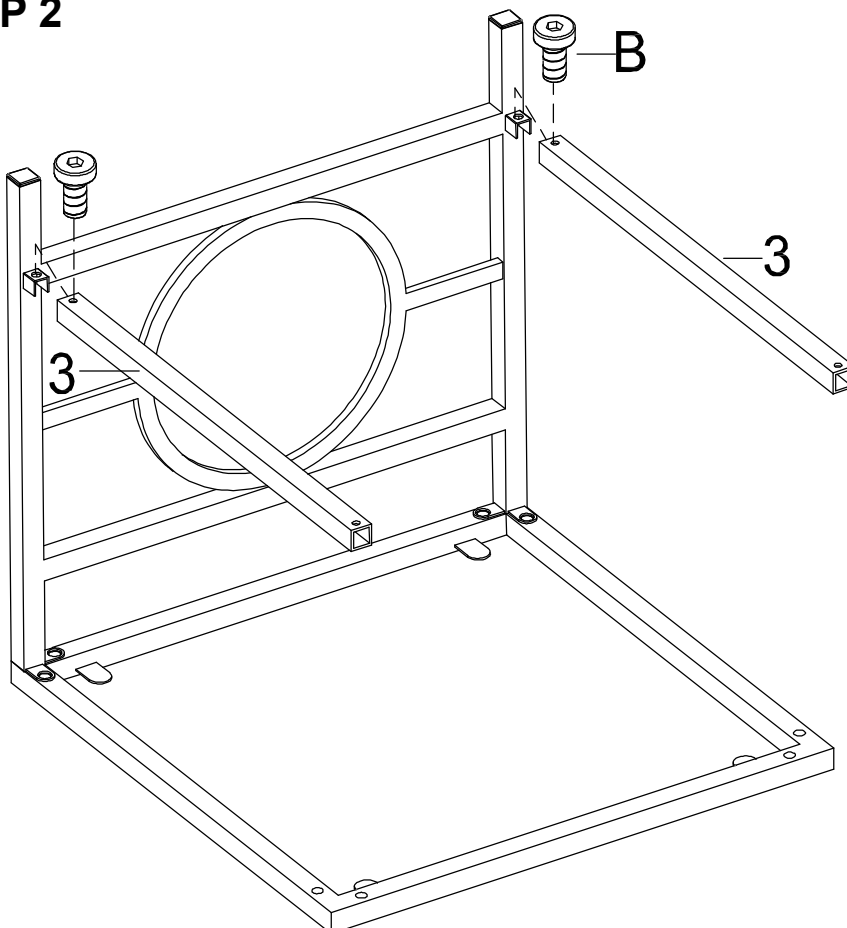
STEP 1



*Please put all parts on a soft surface to prevent scratches.

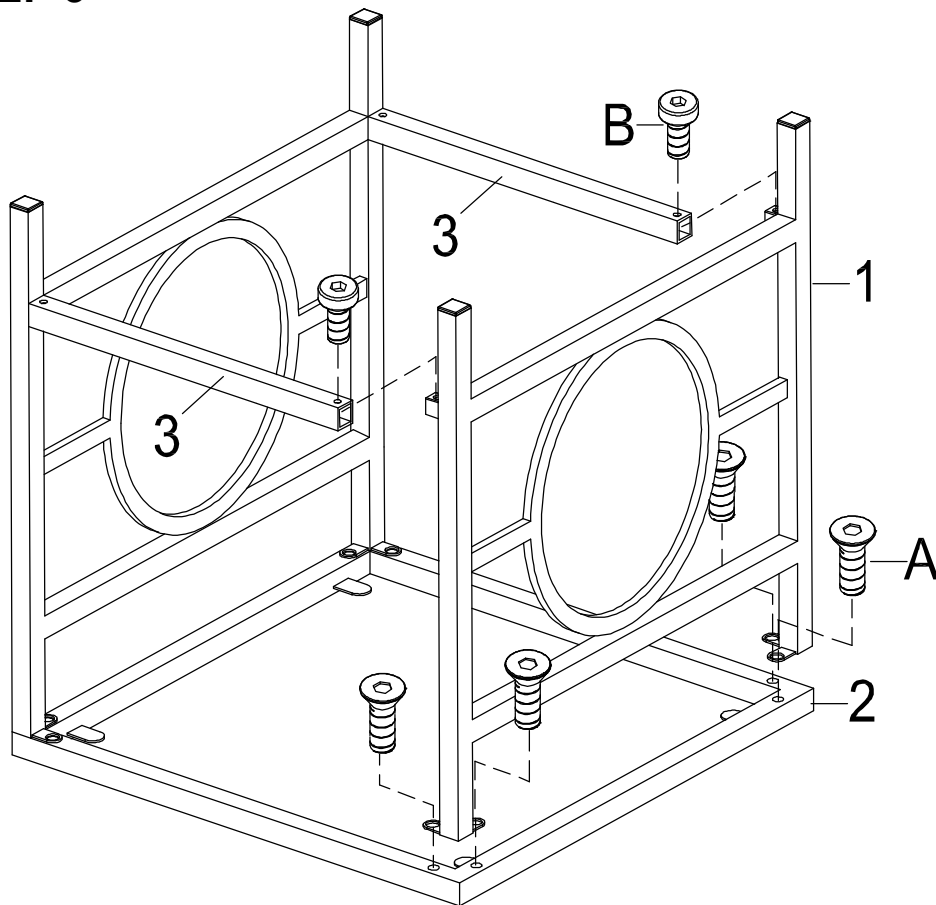
Attach side panel (1) to top frame (2) by using bolt (A) as shown.

STEP 2



Attach stretcher (3) to side panel (1) by using bolt (B) as shown.

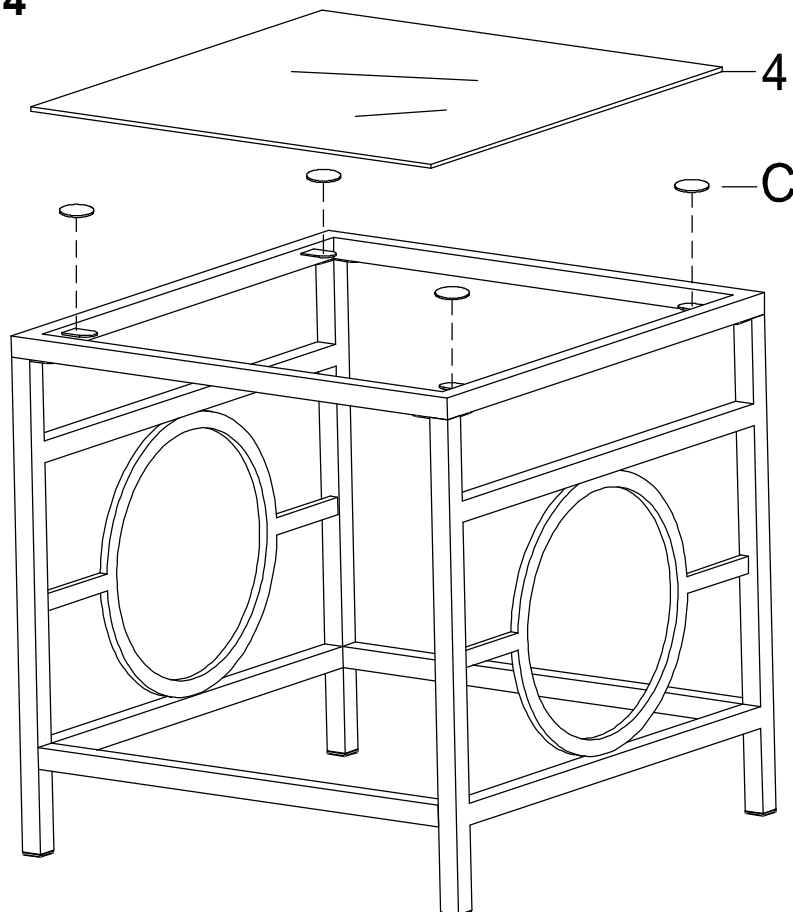
STEP 3



Attach another side panel (1) to stretcher (3) by using bolt (B) again, and then attach side panel (1) to top frame (2) by using bolt (A) as shown.

Tighten all bolts firmly.

STEP 4



Turn the unit right side up carefully and attach glass pad (C) onto the frame as shown.

Finally, put on glass top (4).

Your end table is now complete.