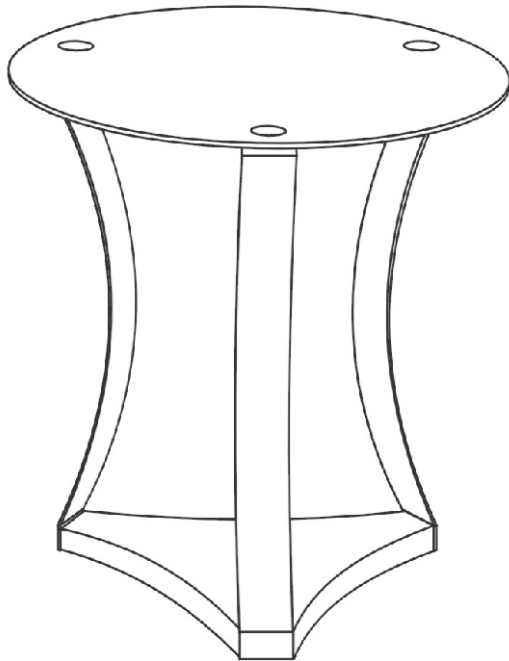


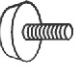



ASSEMBLY INSTRUCTIONS

81917



END TABLE

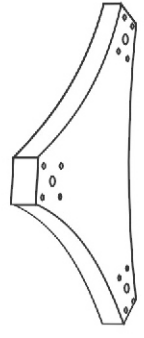
ASSEMBLY INSTRUCTIONS

 F x 3	 D x 3
 G x 1	 E x 12

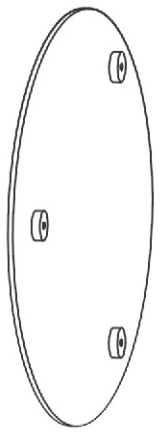
C x 3



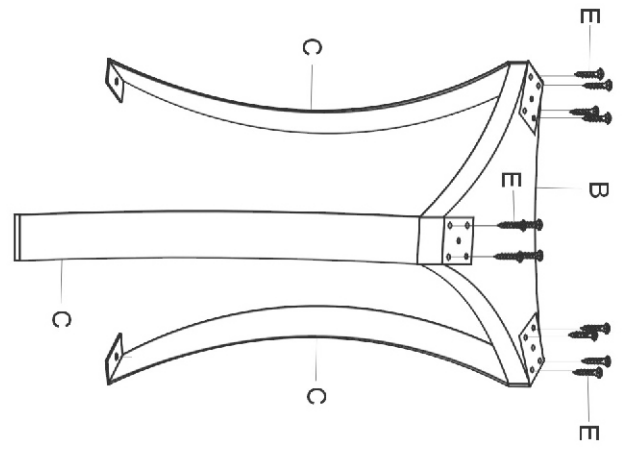
B x 1



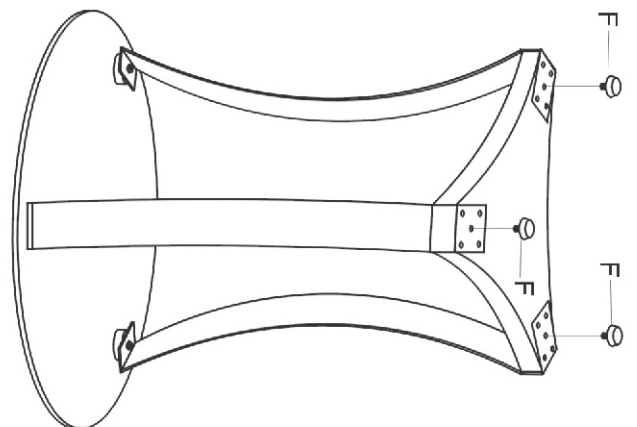
A x 1



①



③



②

