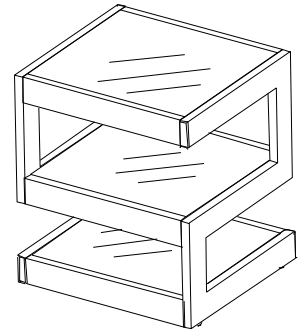


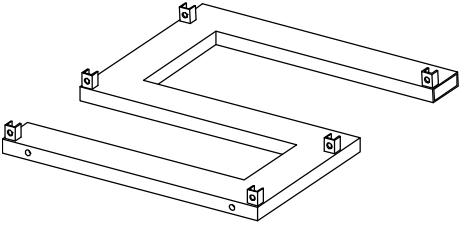
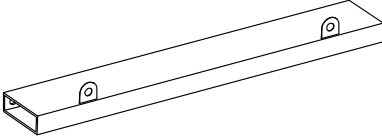
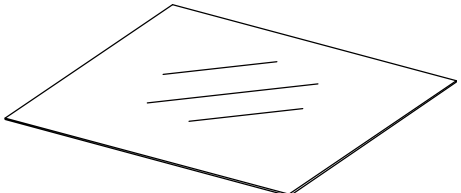

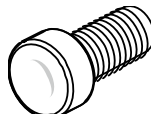
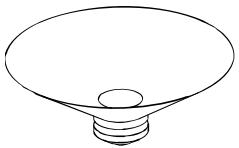
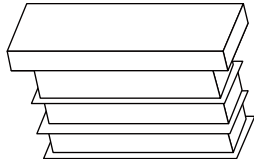
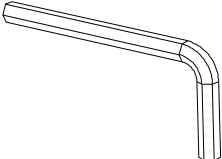
ITEM NO. 81847 – CHAMPAGNE/WHITE

ITEM NO. 81848 – CHROME/BLACK



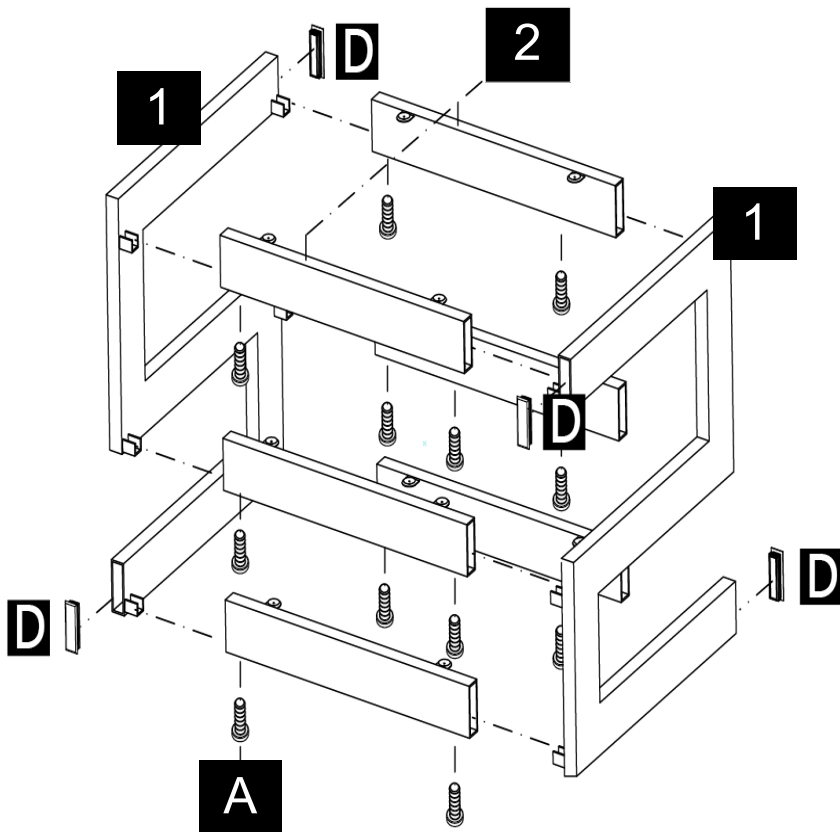
SIDE TABLE

ASSEMBLY INSTRUCTIONS

1	2	3
 <p>SIDE PANEL 2PCS</p> <p>A</p>	 <p>STRETCHER 6PCS</p> <p>B</p>	 <p>GLASS SHELF 3PCS</p> <p>C</p>
 <p>BOLT 1/4" X 1/2" 12PCS</p> <p>D</p>	 <p>LEVELER 4PCS</p> <p>E</p>	 <p>GLASS CUP 12PCS</p>
 <p>END CAP 4PCS</p>	 <p>ALLEN KEY 1PC</p>	

***** Do not tighten screws & bolts until the entire unit is completely assembled. *****

STEP 1

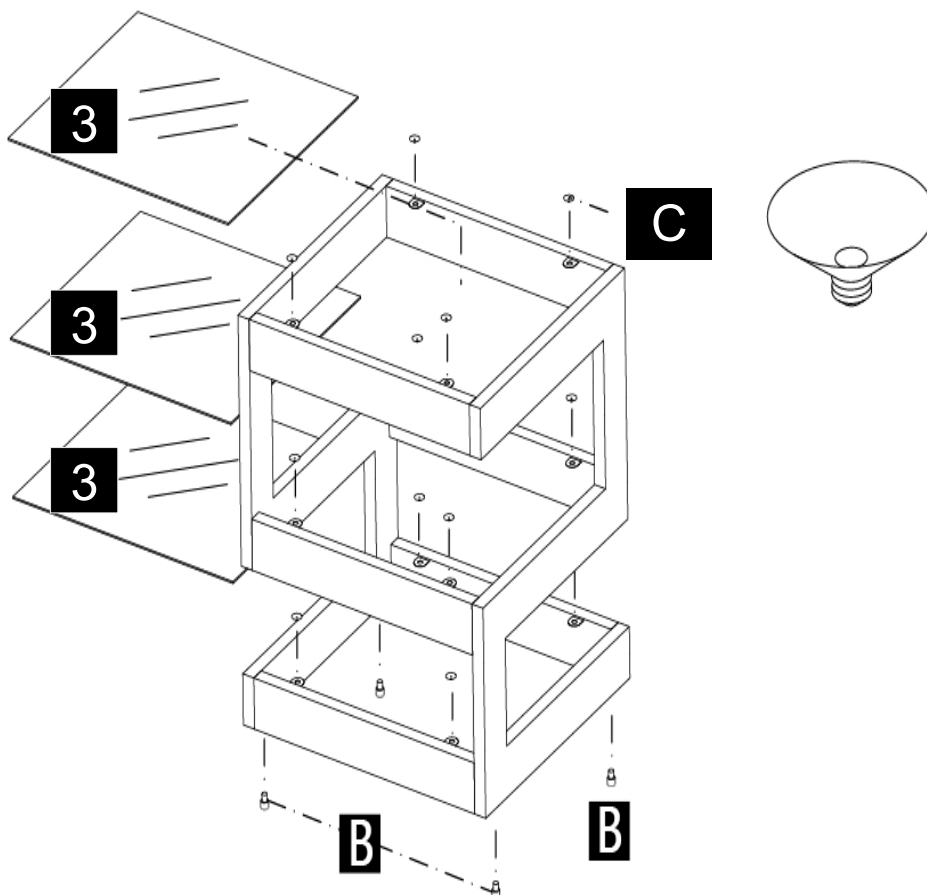


* Please put all parts on a soft surface to prevent scratches

Attach stretcher (2) to side panel (1) by using bolt (A) as shown.

Then insert end cap (D) as shown.

STEP 2



Screw glass cup (C) into stretcher (2) as shown then put on glass shelves (3) carefully.

Your side table is now complete.