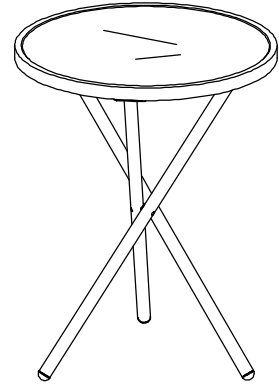


ITEM NO. 81815 CHAMPAGNE/BLACK

81816 COPPER/WHITE

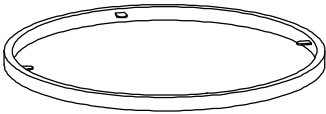
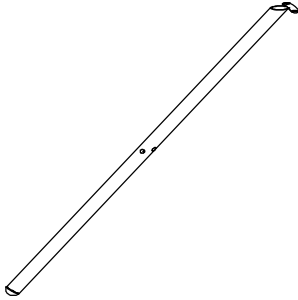

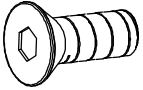
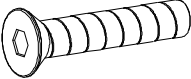

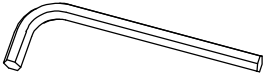
81817 BRASS/SILVER

81818 CHROME/SILVER



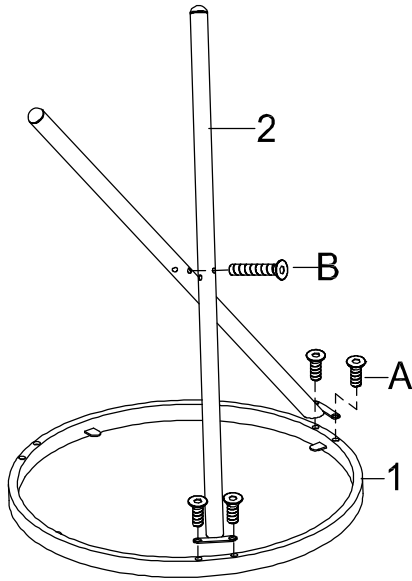
SIDE TABLE

ASSEMBLY INSTRUCTIONS

1		2		3	
					
TOP FRAME 1PC		LEG 3PCS		MIRROR / GLASS TOP 1PC	
A		B		C	
					
BOLT 1/4\"X1/2\" 6PCS		BOLT 1/4\"X1-1/2\" 3PCS		GLASS PAD 4PCS	
D					
ALLEN KEY 1PC					

***** Do not tighten screws & bolts until the entire unit is completely assembled. *****

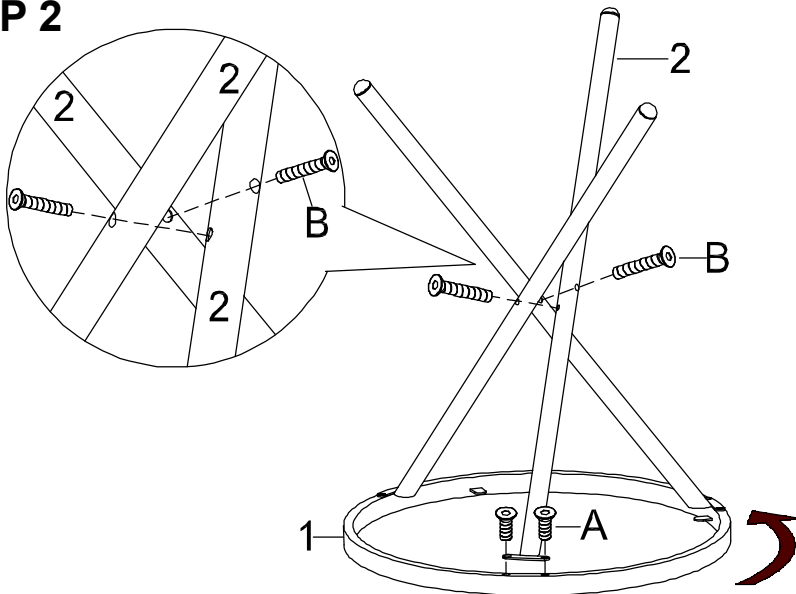
STEP 1



*Please put all parts on a soft surface to prevent scratches.

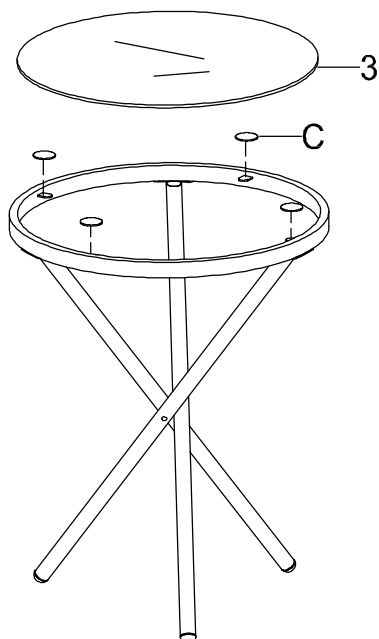
Attach leg (2) to top frame (1) by using bolt (A) and bolt (B) as shown.

STEP 2



Repeat accordingly attaching leg (2) to top frame (1) by using bolt (A) and bolt (B) again.

STEP 3



Turn the unit right side up and put glass pad (C) onto top frame as shown then put on glass top (3).

Your side table is now complete.