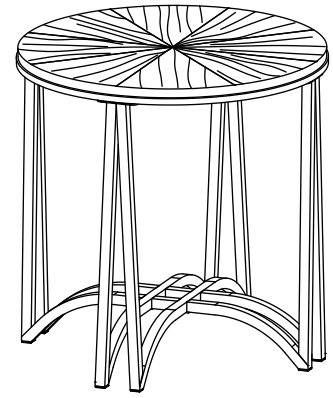
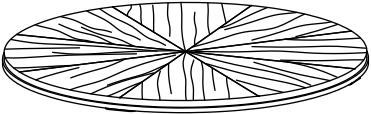
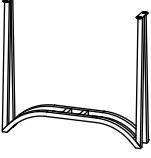
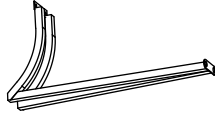
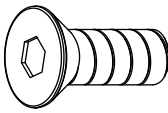
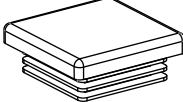
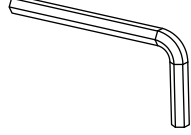


ITEM NO.80992

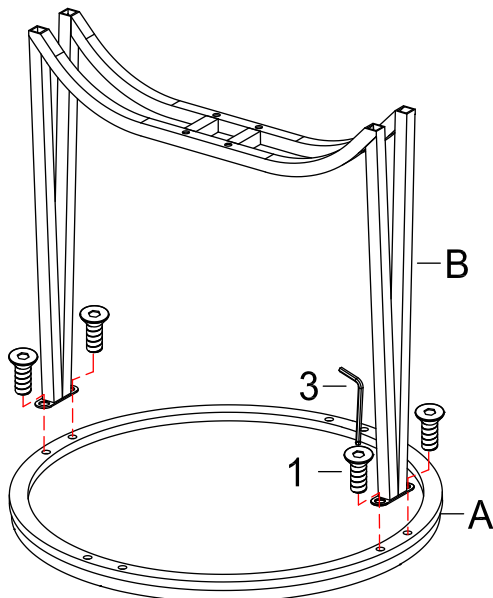


ASSEMBLY INSTRUCTIONS

A	B	C
 <p>TOP 1PC 1</p>	 <p>LARGE LEG 1PC 2</p>	 <p>SMALL LEG 2PCS 3</p>
 <p>BOLT 1/4" X 1/2" 12PCS</p>	 <p>FOOT CAP 8PCS</p>	 <p>ALLEN WRENCH 1PC</p>

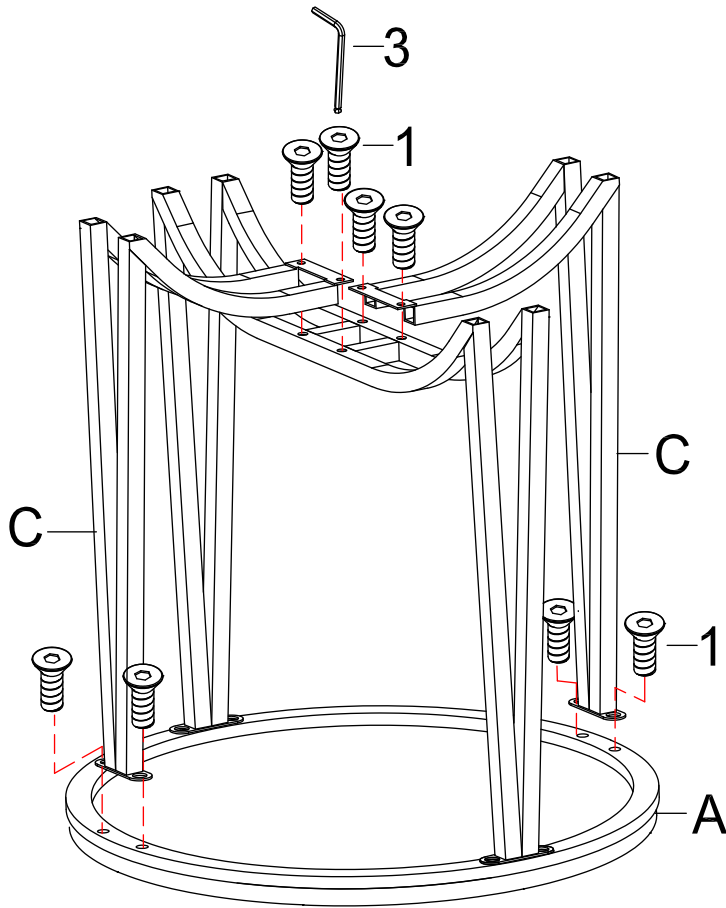
***** Do not tighten screws & bolts until the entire unit is completely assembled. *****

STEP 1



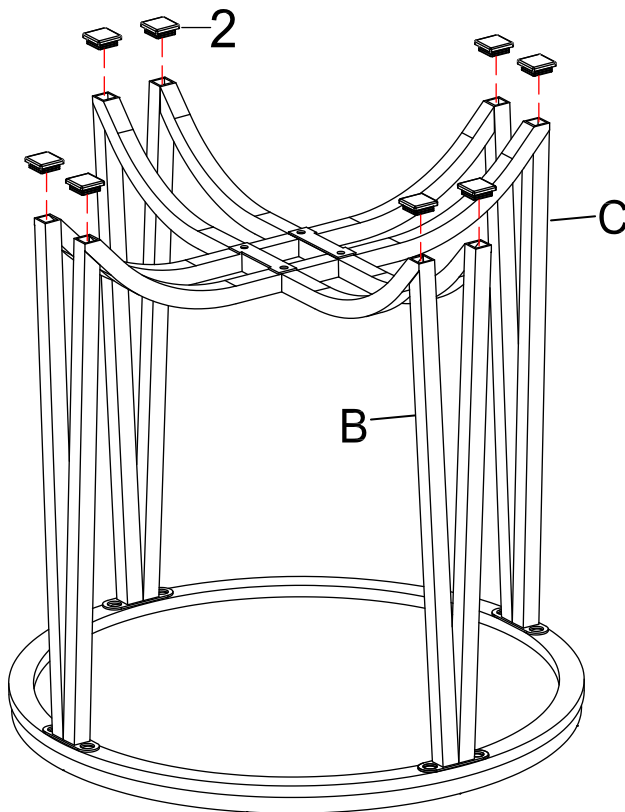
Attach large leg (B) to the top (A) using bolts (1) by allen wrench (3) as shown.

STEP 2



Attach small legs (C) to the top (A) and large leg (B) by using bolts (1) by allen wrench (3) as shown.

STEP 3



Attach foot caps (2) to all the legs (B.C) as shown.

Tighten all bolts and carefully turn the assembled unit upright.

Your side table now is completed.