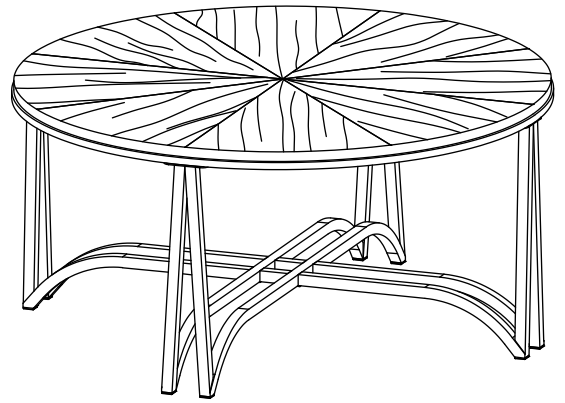
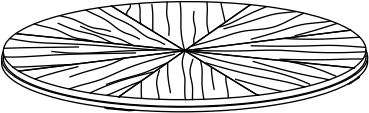
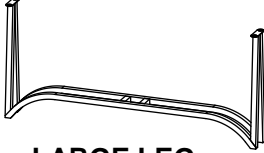
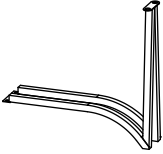
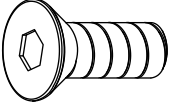
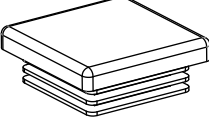
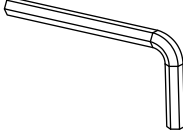


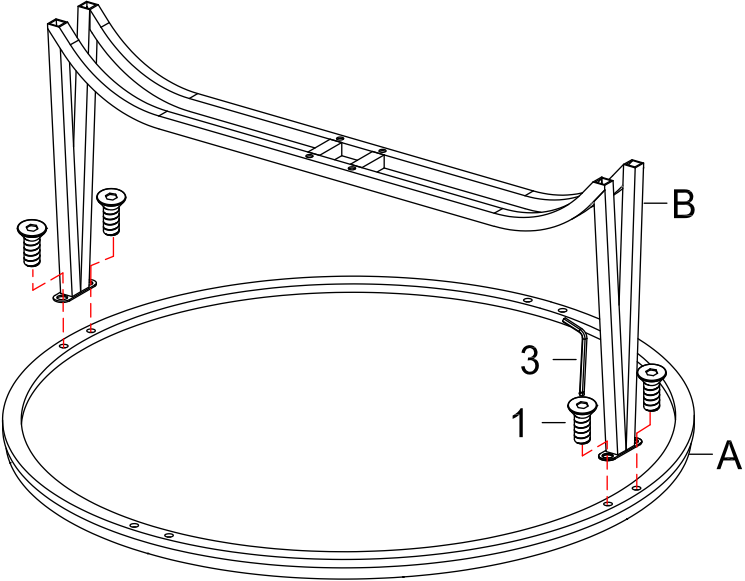
# ITEM NO.80990



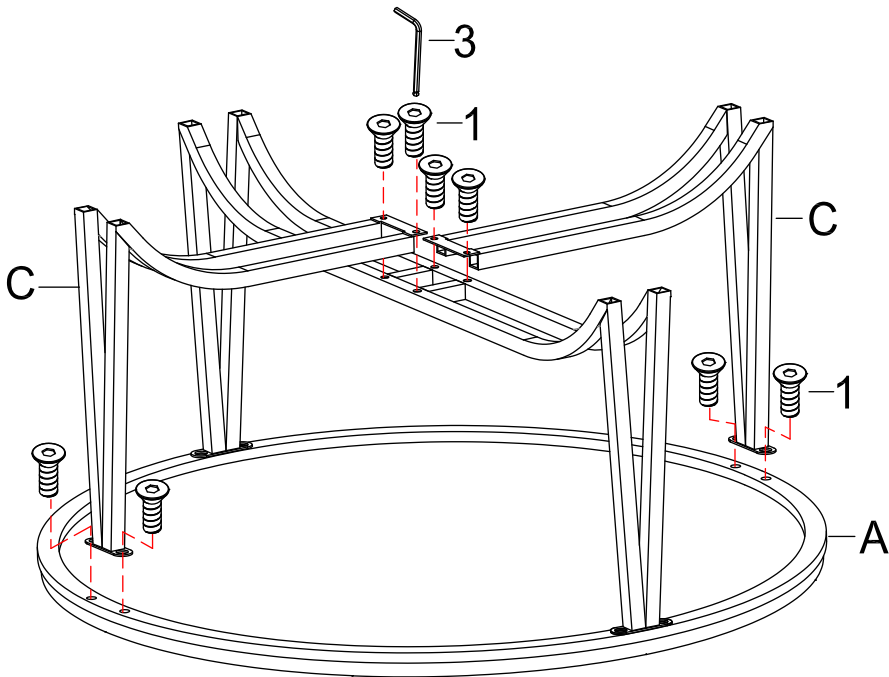
## ASSEMBLY INSTRUCTIONS

A	B	C
 <p>TOP 1PC</p>	 <p>LARGE LEG 1PC</p>	 <p>SMALL LEG 2PCS</p>
1	2	3
 <p>BOLT 1/4 X 1/2" 12PCS</p>	 <p>FOOT CAP 8PCS</p>	 <p>ALLEN WRENCH 1PC</p>

**\*\*\* Do not tighten screws & bolts until the entire unit is completely assembled. \*\*\***

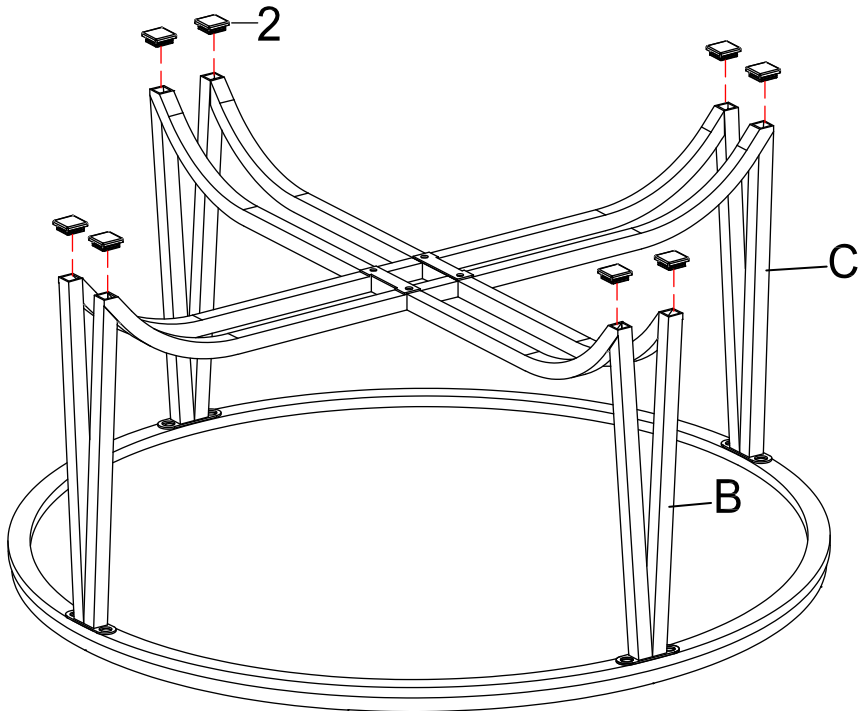
<h3>STEP 1</h3> 	<p>Attach large leg (B) to the top (A) using bolts (1) by allen wrench (3) as shown.</p>
---	--

## STEP 2



Attach small legs (C) to the top (A) and large leg (B) using bolts (1) by allen wrench (3) as shown.

## STEP 3



Attach the foot caps (2) to all the legs (B.C) as shown.

Tighten all bolts and carefully turn the assembled unit upright.

Your coffee table now is completed.