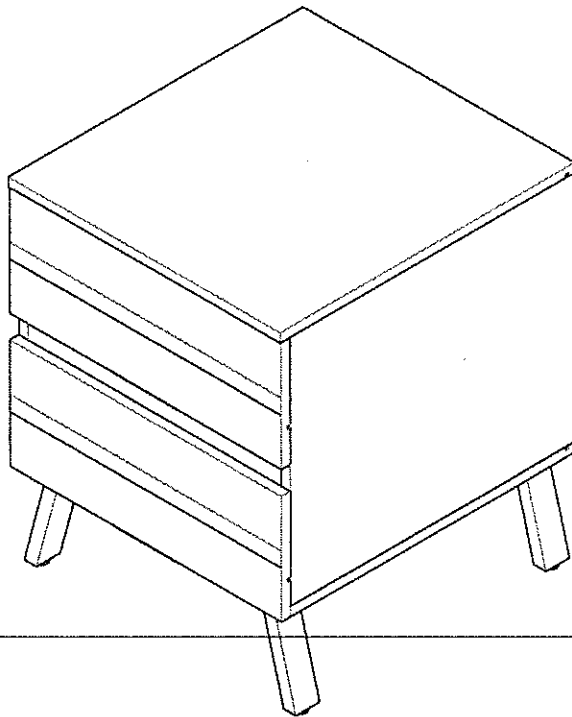


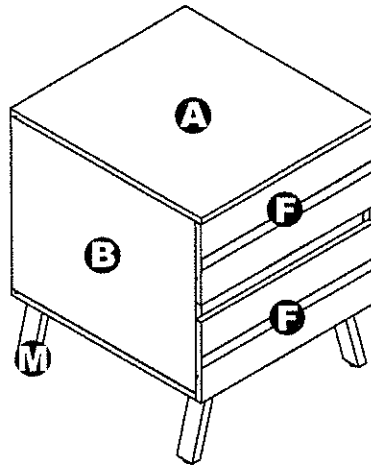
ASSEMBLY INSTRUCTIONS

80622



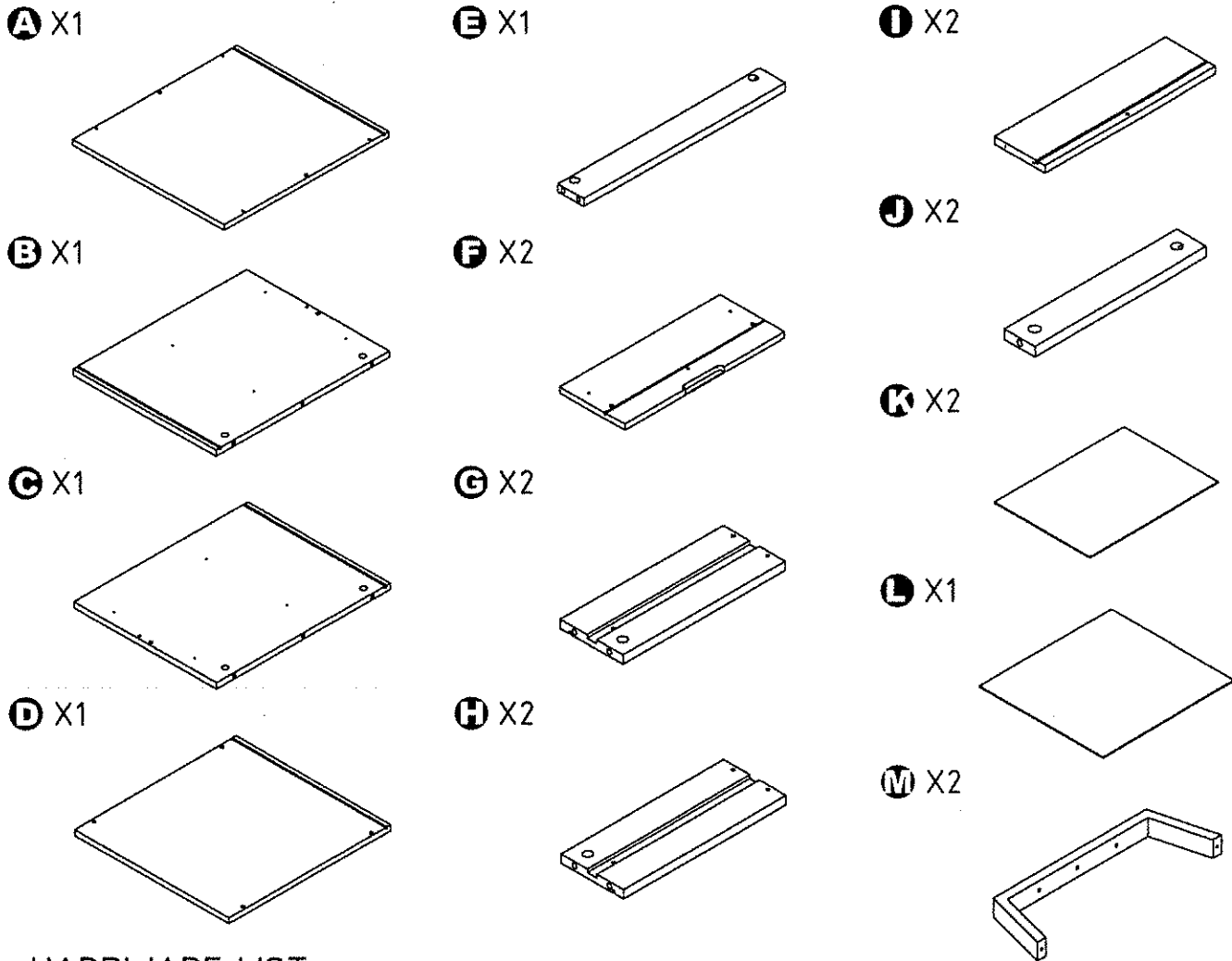
END TABLE

80622

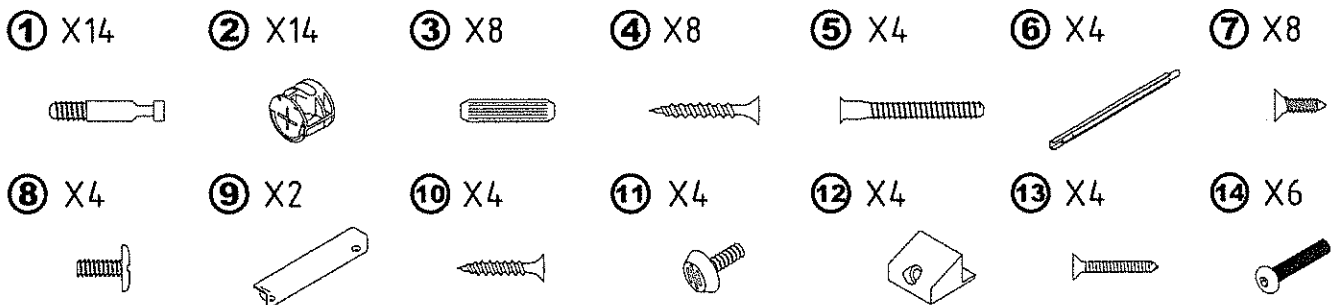


DIMENSIONS
 Width - 18.11"
 Depth - 19.69"
 Height - 22.91"

PARTS LIST

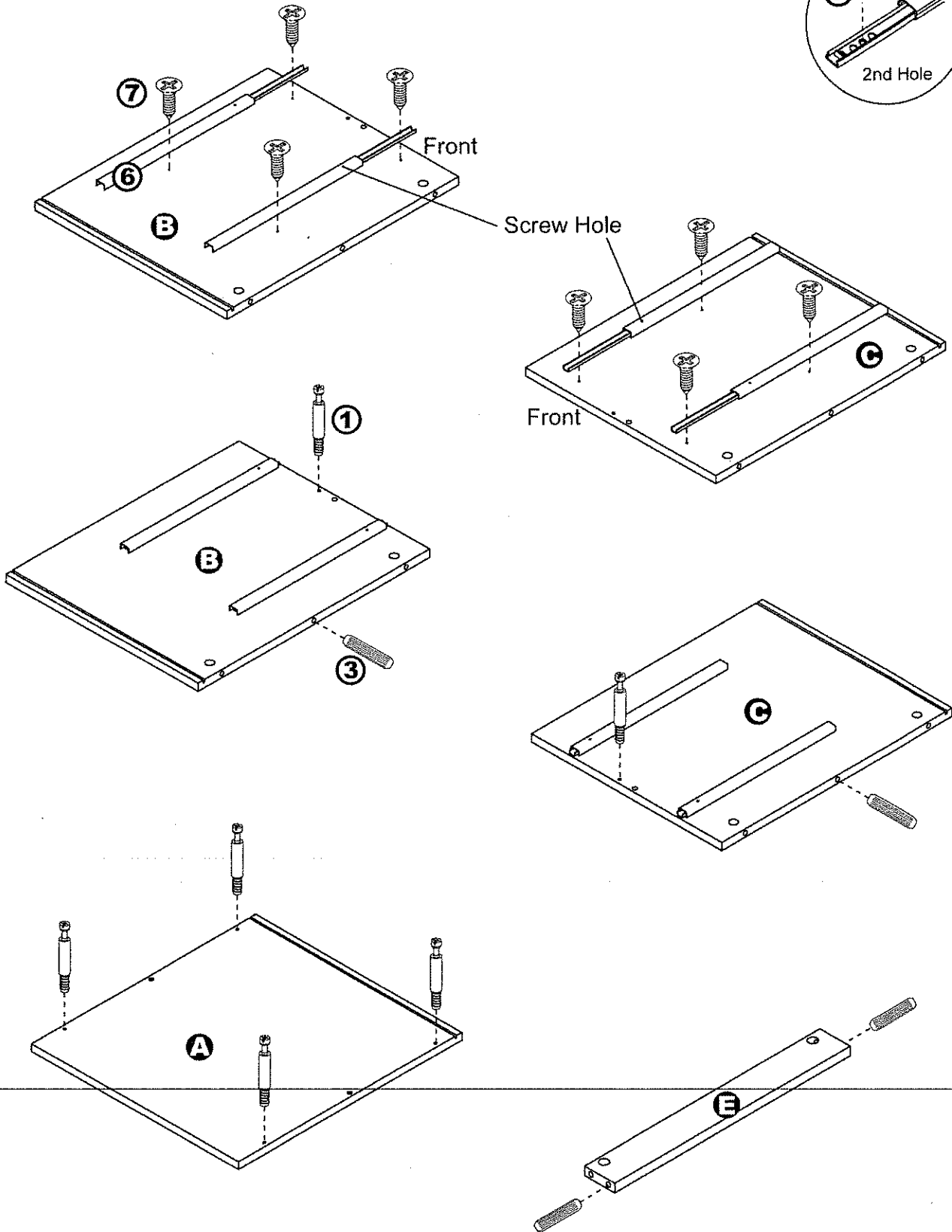
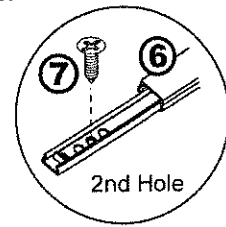


HARDWARE LIST

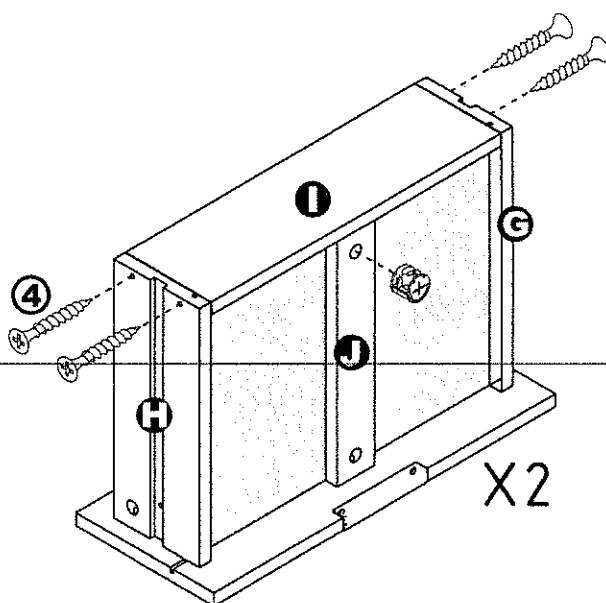
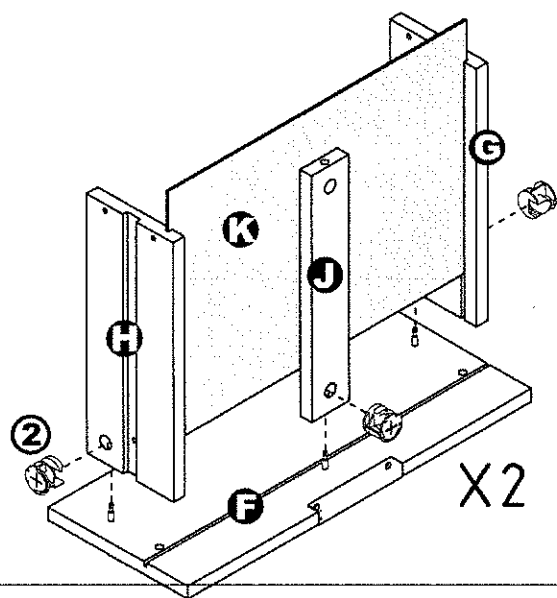
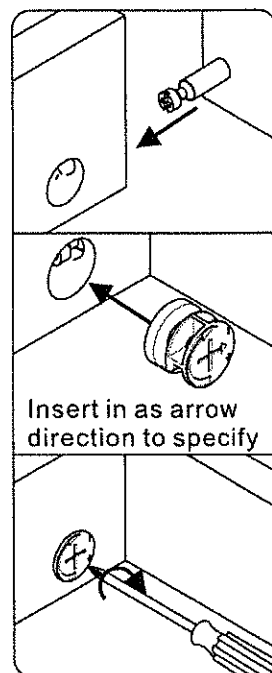
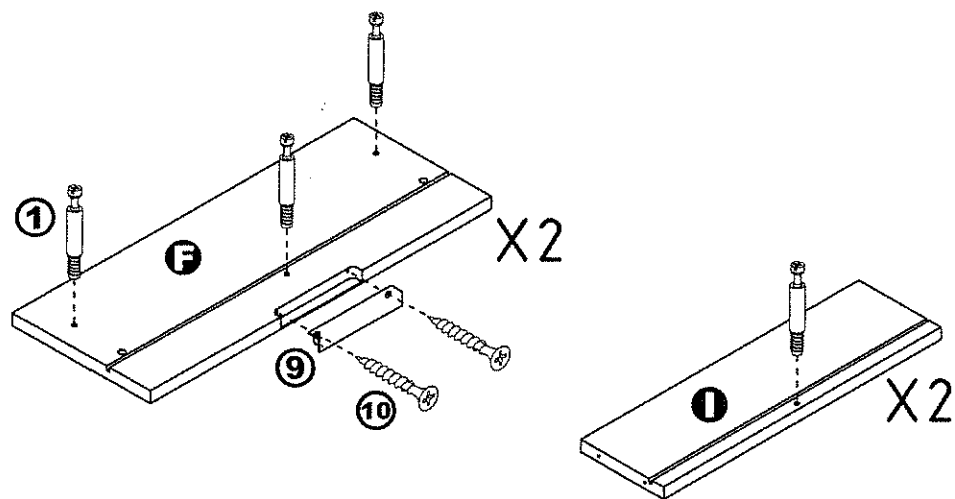
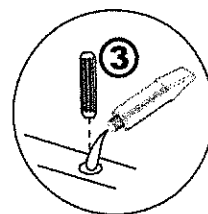
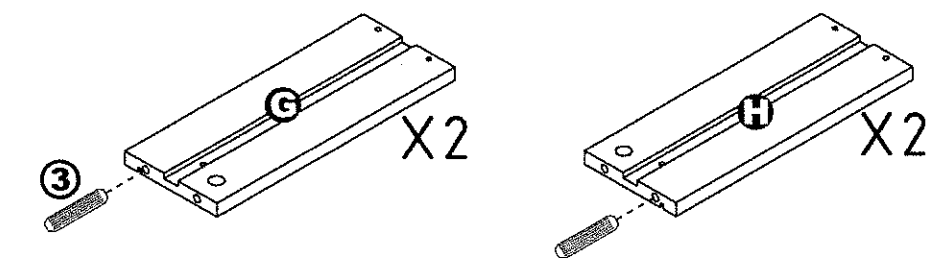


Step 1.

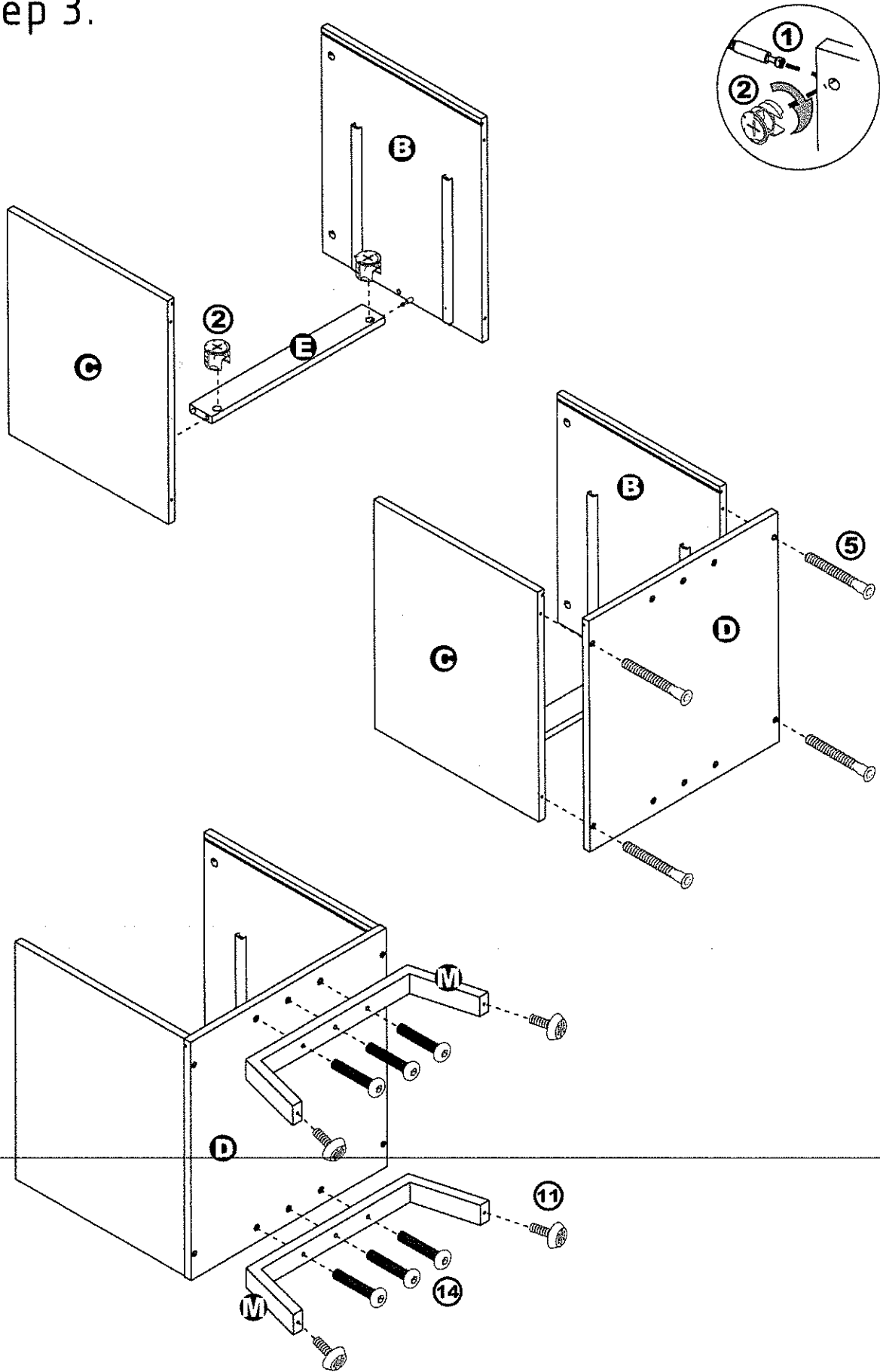
Push runner to see screw holes on the other end



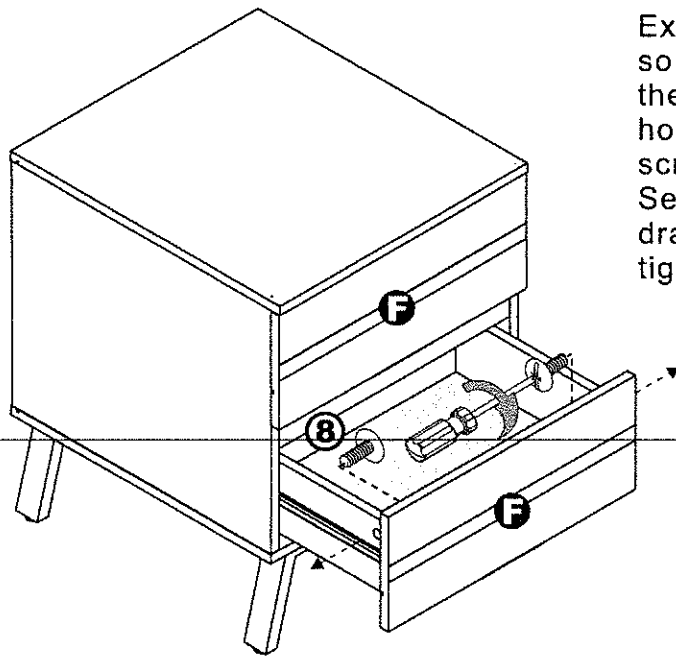
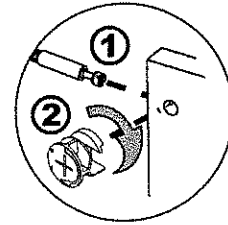
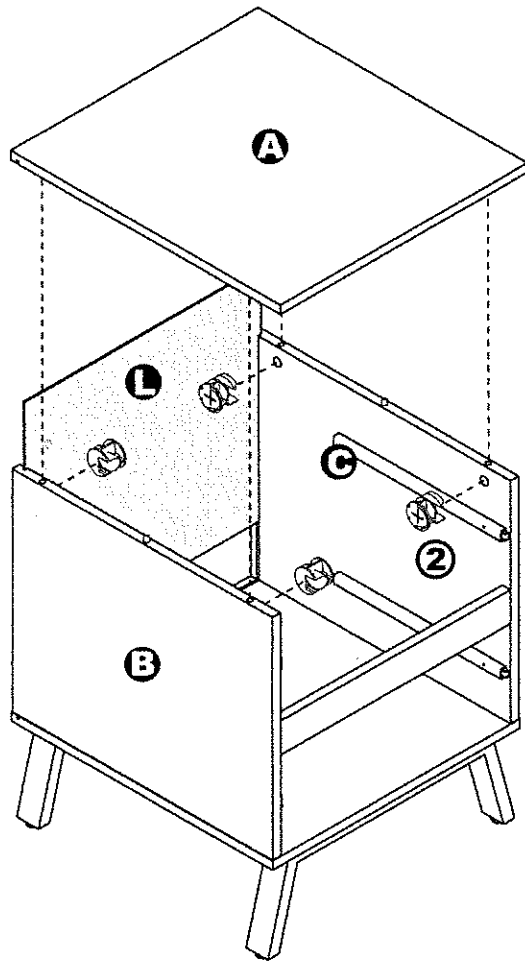
Step 2.



Step 3.

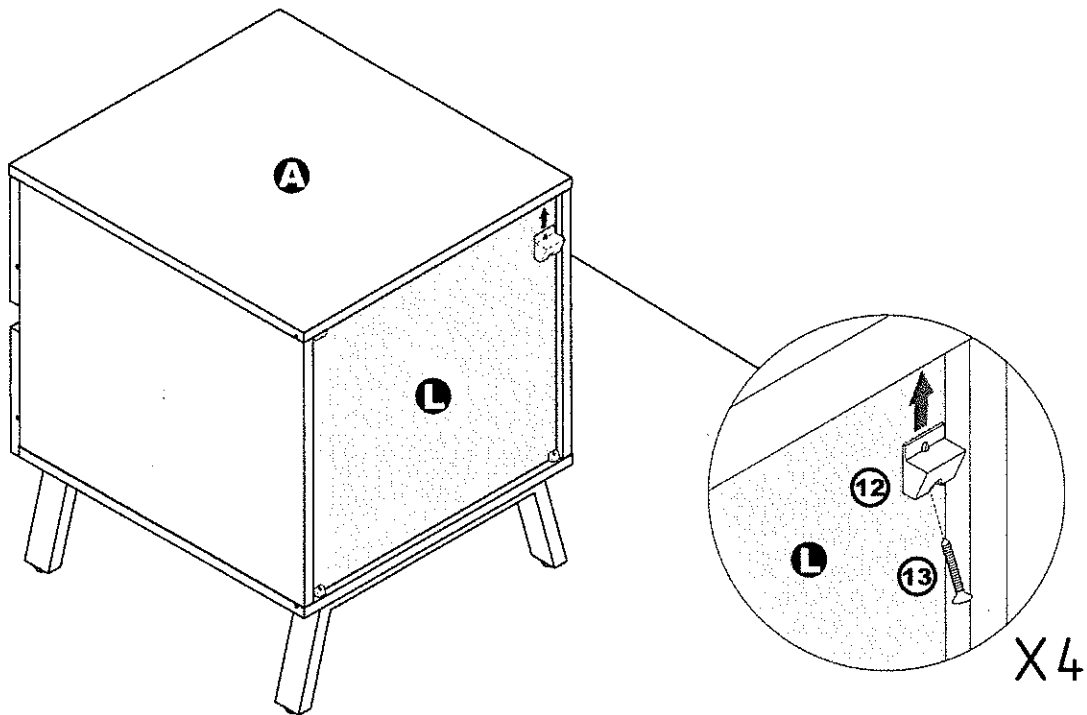


Step 4.



Extend the two outer slides of the runners so that they could align with the sides of the drawer. Make sure the pre-drilled holes from the drawer align with the screw holes of the outer slides. Secure two screws from the inside of the drawer using a Phillips screwdriver to tighten them to the outer slides.

Step 5.



ASSEMBLY IS COMPLETED

Make sure the product is rested on a flat surface and does not feel loose or wobbly. If it does, double check that the bolts/screws are secured and properly tightened.