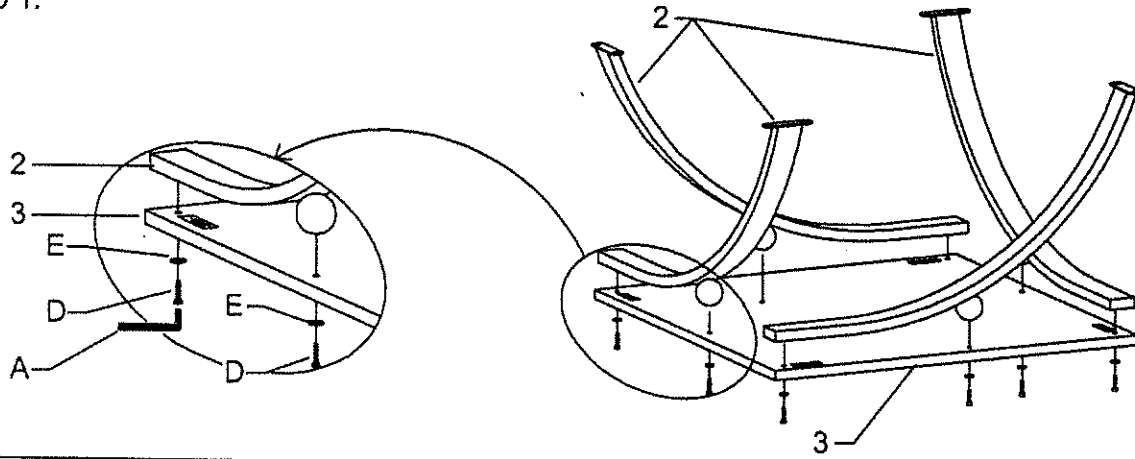
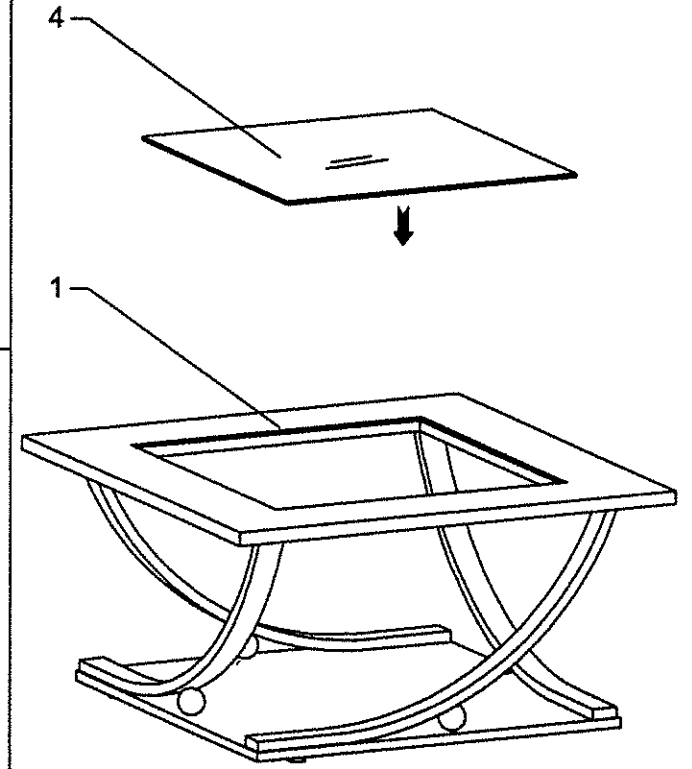


**** Do not tighten any bolts until all of them have been started !**

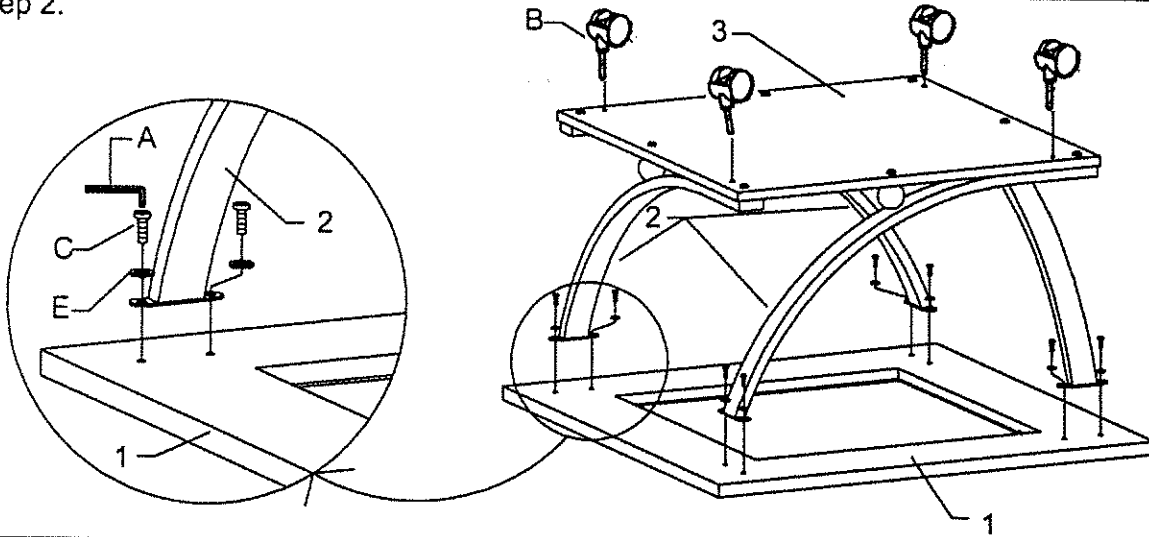
Step 1.



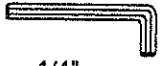




Step 3.



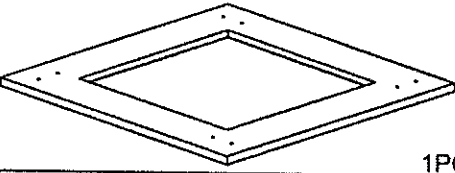
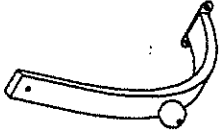
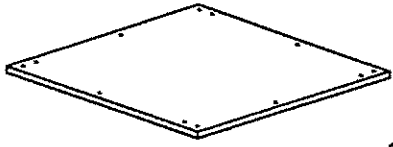
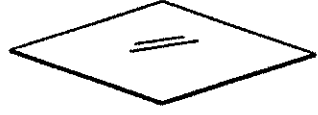
Step 2.



ACCESSORY PACK

| | | | | |
|---|---|---|---|---|
| <p>A</p>  <p>1/4"</p> <p>1PC</p> | <p>B</p>  <p>4PC</p> | <p>C</p>  <p>1/4" X 15 mm</p> <p>8PCS</p> | <p>D</p>  <p>1/4" X 35mm</p> <p>8PCS</p> | <p>E</p>  <p>16PCS</p> |
|---|---|---|---|---|

COMPLETE HARDWARE

| | | | |
|--|--|---|---|
| <p>1</p>  <p>1PC</p> | <p>2</p>  <p>4PCS</p> | <p>3</p>  <p>1PC</p> | <p>4</p>  <p>1PC</p> |
|--|--|---|---|