

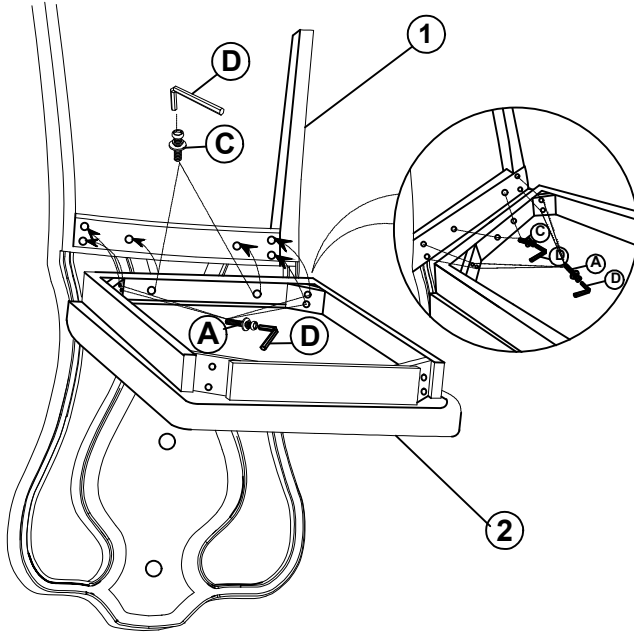
ASSEMBLY INSTRUCTION FOR ACME FURNITURE

MODEL #77138 ARM CHAIR (SET2)

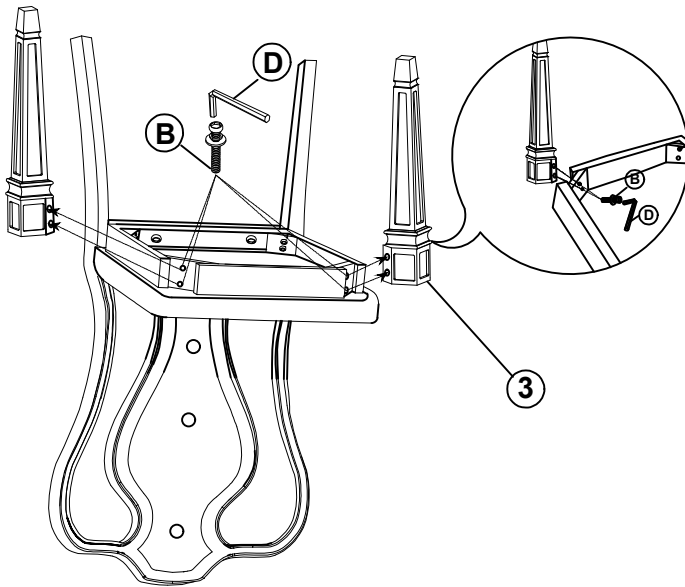
Thank you for purchasing this quality product. Be sure to check all packing material carefully for small parts which may have come loose inside the carton during shipment. Separate identify and count all parts and metal hardware. Compare with parts list to be sure all parts are present. If any part(s) are missing or damaged, please contact your local furniture dealer. For efficient and speedy service, please indicate the model number and code letter of part(s) needed.

Do not fully tighten screws until fully assembled

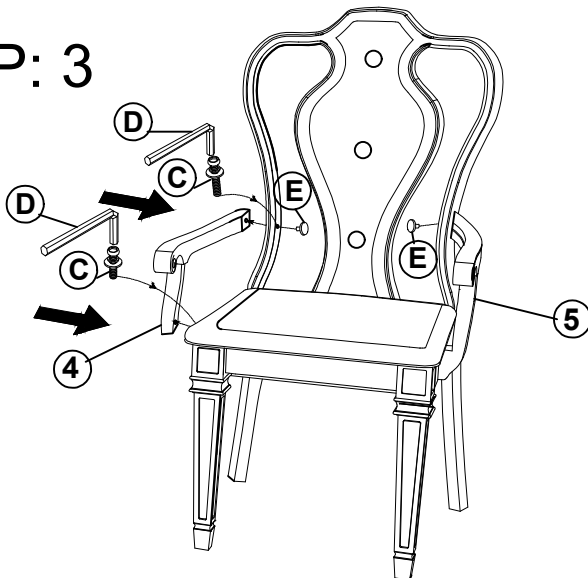
STEP: 1



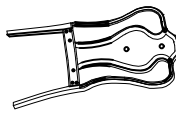




STEP: 2






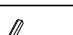

STEP: 3



COMPONENT PARTS

DESCRIPTION	PART NAME	Q'TY(PCS)
①	 BACK REST	1PC
②	 CUSHION	1PC
③	 LEG	2PCS
④	 FACING LEFT ARMREST	1PC
⑤	 FACING RIGHT ARMREST	1PC

HARDWARES REQUIRED

Ⓐ		ALLEN BOLT $\phi 5/16'' \times 3-1/4''$	4PCS
Ⓑ		ALLEN BOLT $\phi 5/16'' \times 2''$	4PCS
Ⓒ		ALLEN BOLT $\phi 5/16'' \times 1-1/2''$	6PCS
Ⓓ		ALLEN WRENCH 4mm	1PC
Ⓔ		BUTTONS	2PCS

STEP: 4

