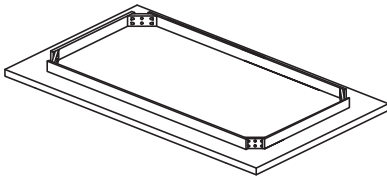
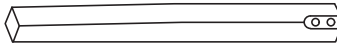


# ASSEMBLY INSTRUCTIONS FOR ACME FURNITURE


## MODEL#77075

Thank you for purchasing the quality product. Be sure to check all packing material carefully for small parts which may have come loose inside the carton during shipment. Separate, identify and count all parts and metal hardware. Compare with all parts list to be sure all parts are present. if any part(s) are missing or damaged, please contact your local furniture dealer. For efficient and speedy service, please indicate the model number and code letter of part(s) needed.


\*\*\*Do not fully tighten screw until fully assembled\*\*\*

<b>COMPONENT PARTS</b>		
<b>DESCRIPTION</b>	<b>PART NAME</b>	<b>Q'TY (PCS)</b>
①	Table Top 	①
②	Table Leg 	④


## HARDWARES REQUIRED

- A




Bolt

Ø5/6" \* 63mm - 8Pcs
- B


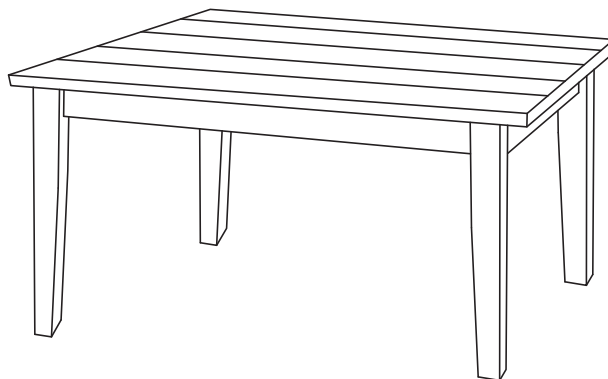

Spring Washer

Ø5/6" \* 19mm - 8Pcs
- C



Flat Washer

Ø5/6" \* 13mm - 8Pcs
- D



Allen Key - 1Pc

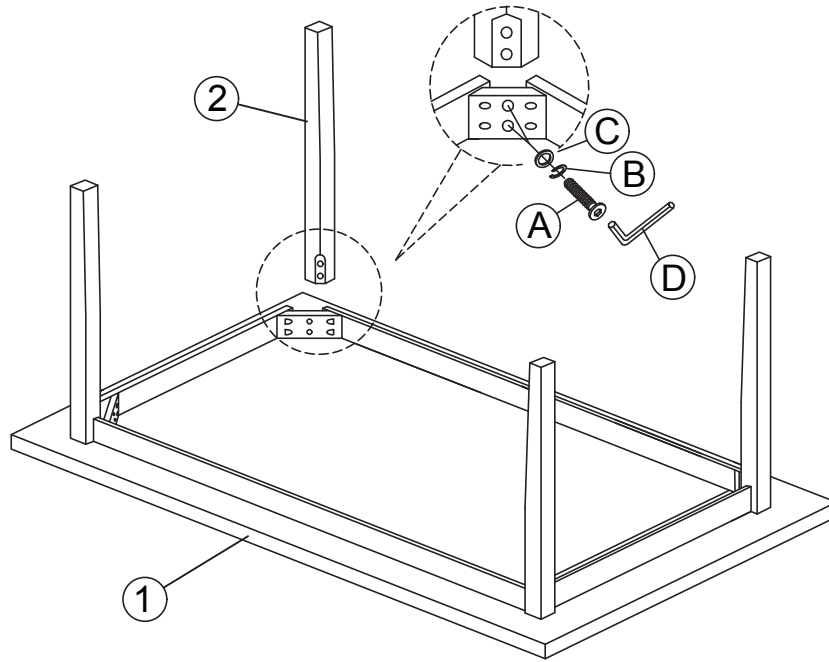


Attention:

\*\*\*Some number parts listed on the instruction sheet may not in parts bag as they may be assembled. Carefully check parts and packing materials prior to ordering replacement.\*\*\*

# How to assemble

## STEP 1:



## STEP 2:

