

ASSEMBLY INSTRUCTION

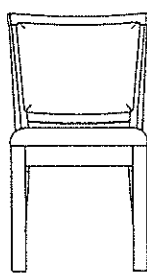






74674

CTRA-168-S SIDE CHAIR

Thank you for purchasing this quality product. Be sure to check all packing material carefully for small parts which may come loose inside the carton during shipment.

Identify and count all parts.

NOTE: ASSEMBLE THE CHAIR ON A FLAT & SOFT SURFACE. DO NOT TIGHTEN ALL THE SCREWS UNTIL THE CHAIR HAS BEEN PUT A FLAT /HARD SURFACE ADJUST & LEVEL ALL THE LEGS SO THAT THEY DO NOT WOBBLE. ONCE ADJUSTED THEN TIGHTEN ALL THE SCREWS.

PARTS LIST						
	A	B	C	D	E	F
						
	X 4	X 4	X 3	X 11	X 11	X 1

