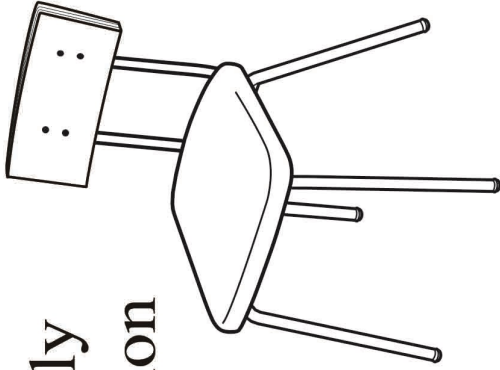


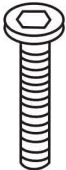


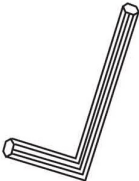
Assembly Instruction

72907/
72912

*Please take the time to identify the hardware and individual components to this products.

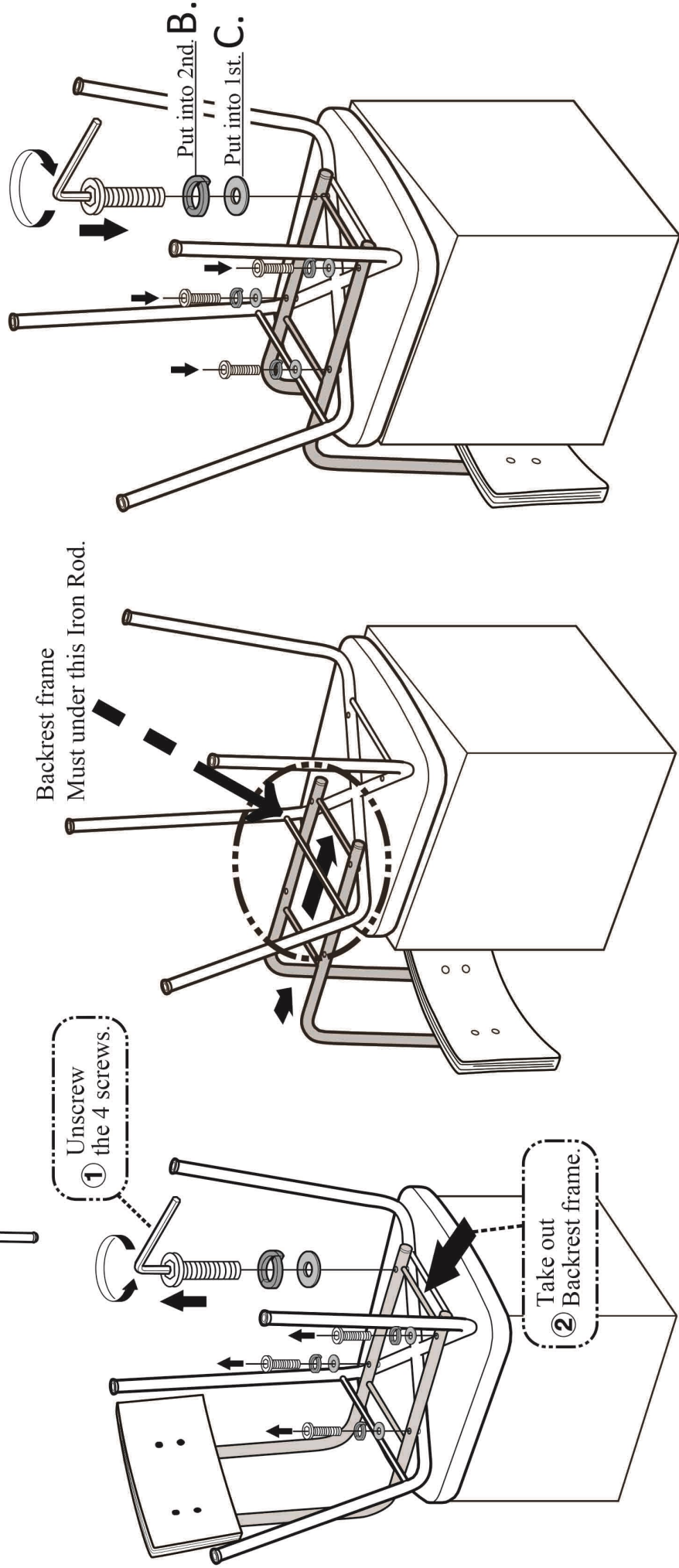
*Please make sure the point of the angle before screw and tighten it up.



			
BOLT 1/4" x 54mm	SPRING WASHER	WASHER	ALLEN KEY
A. 4PCS	B. 4PCS	C. 4PCS	D. 1PC

① Unscrew
the 4 screws.

Backrest frame
Must under this Iron Rod.



Step 1

Step2

Step 3