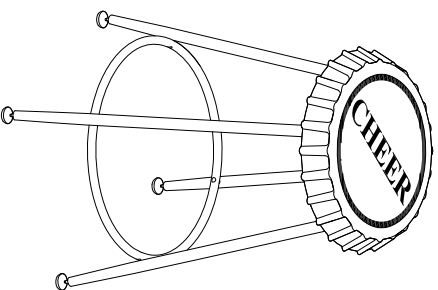
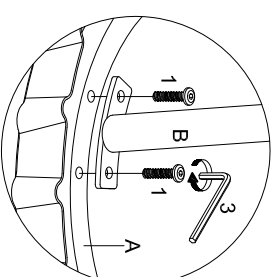
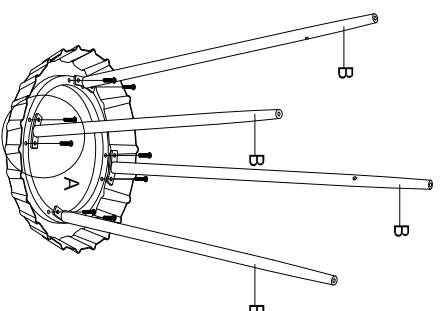



# ASSEMBLY INSTRUCTIONS

ITEM NO.:72702/72707





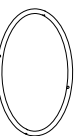
## STEP 1.



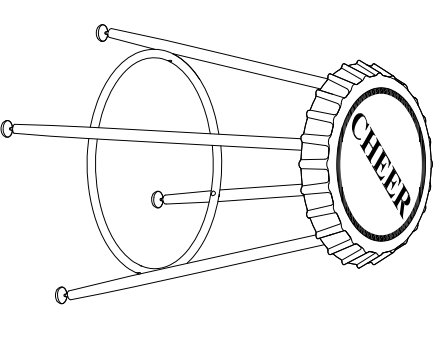
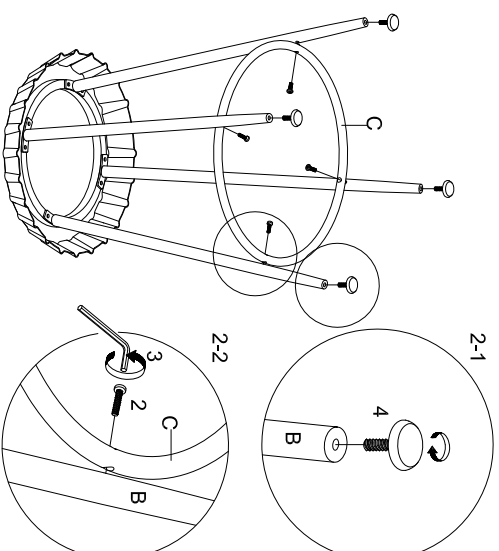
1		8pcs
M6x12		



## PARTS IDENTIFICATION

## HARDWARE LIST

A		1pc
B		4pcs
C		1pc

## STEP 2.



2		4pcs
M6x25		
4		4pcs