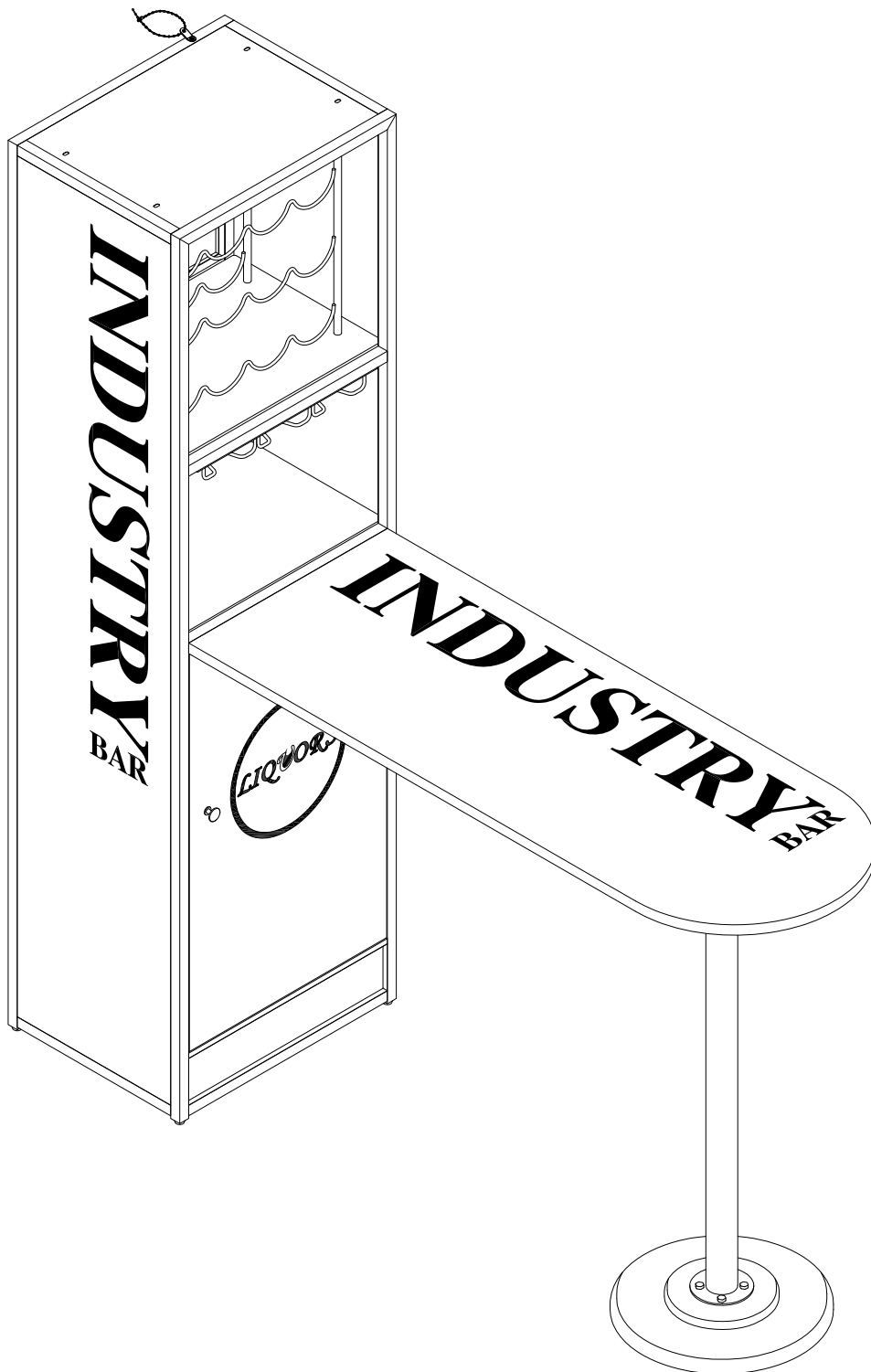


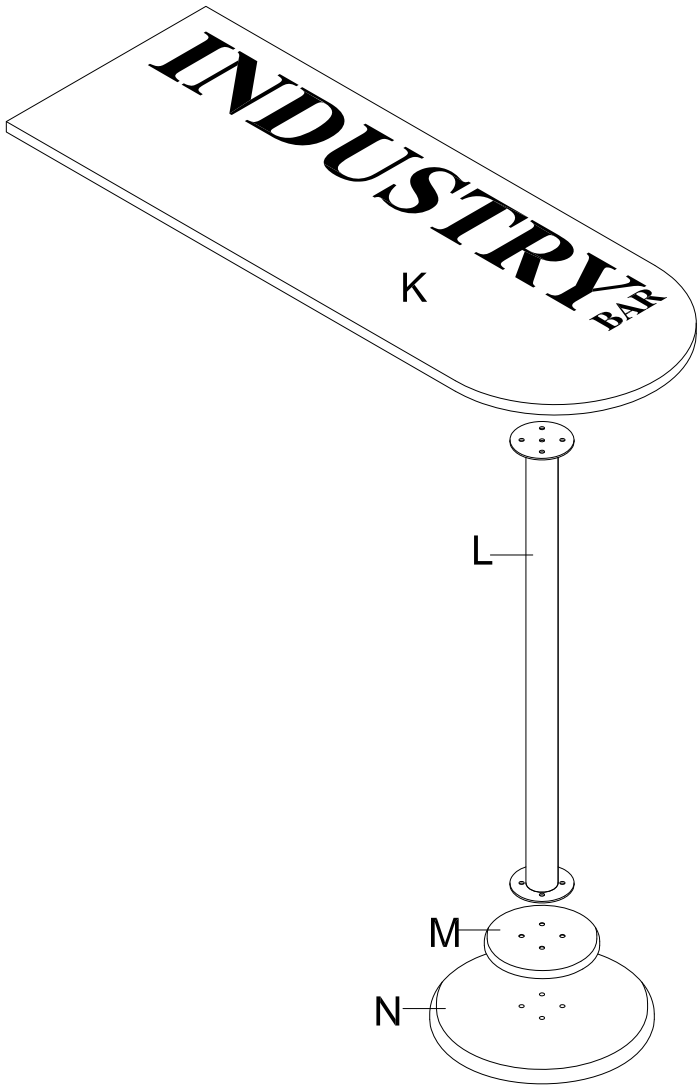
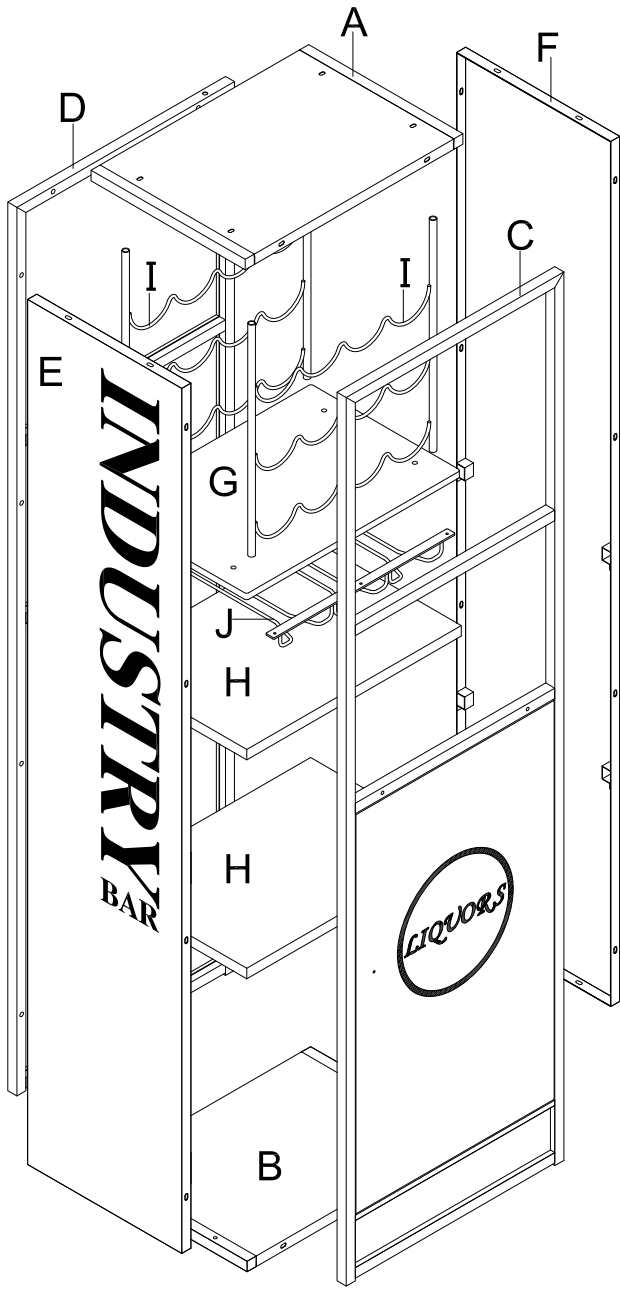
# ASSEMBLY INSTRUCTIONS

ITEM NO.:72700/72705



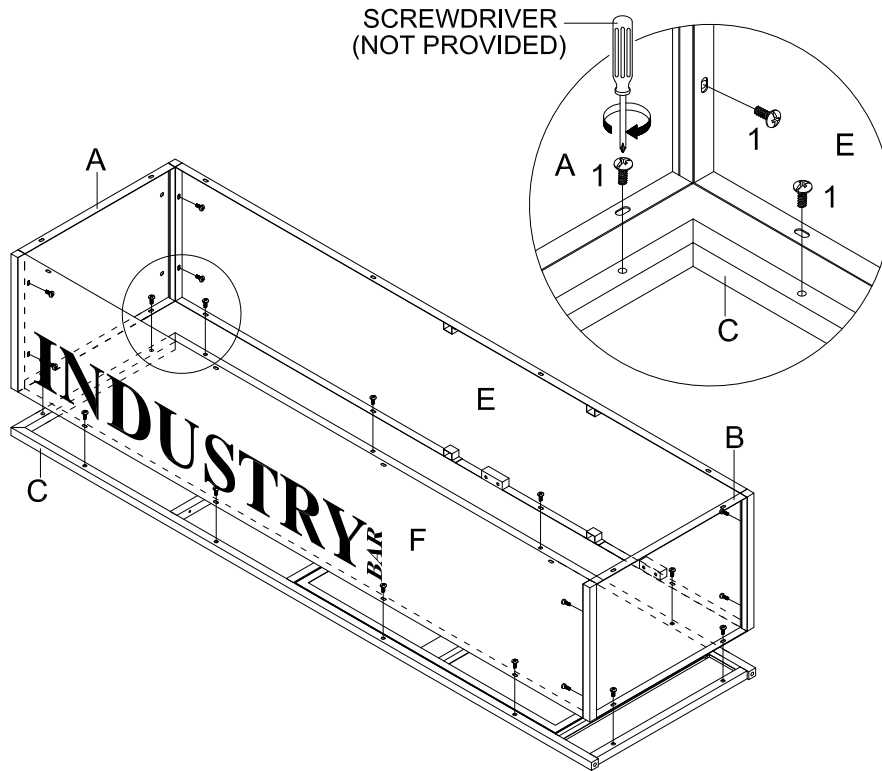
**Do not tighten screws until completely assembled.**


# PARTS IDENTIFICATION



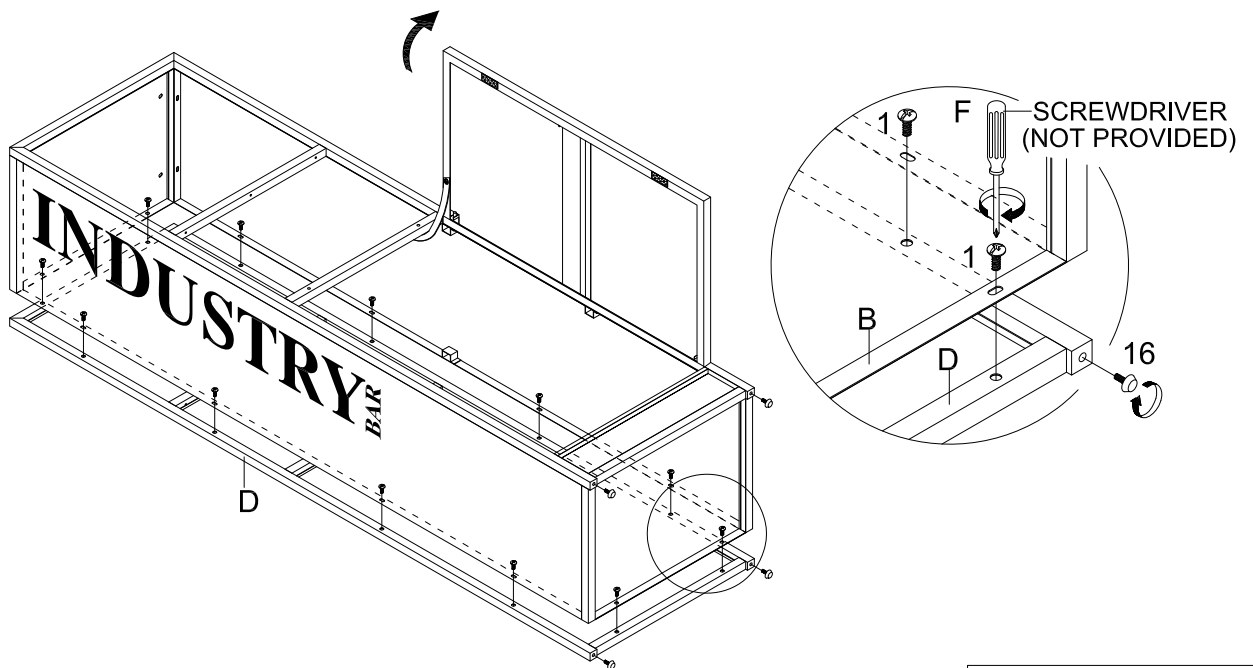




# STEP 1.



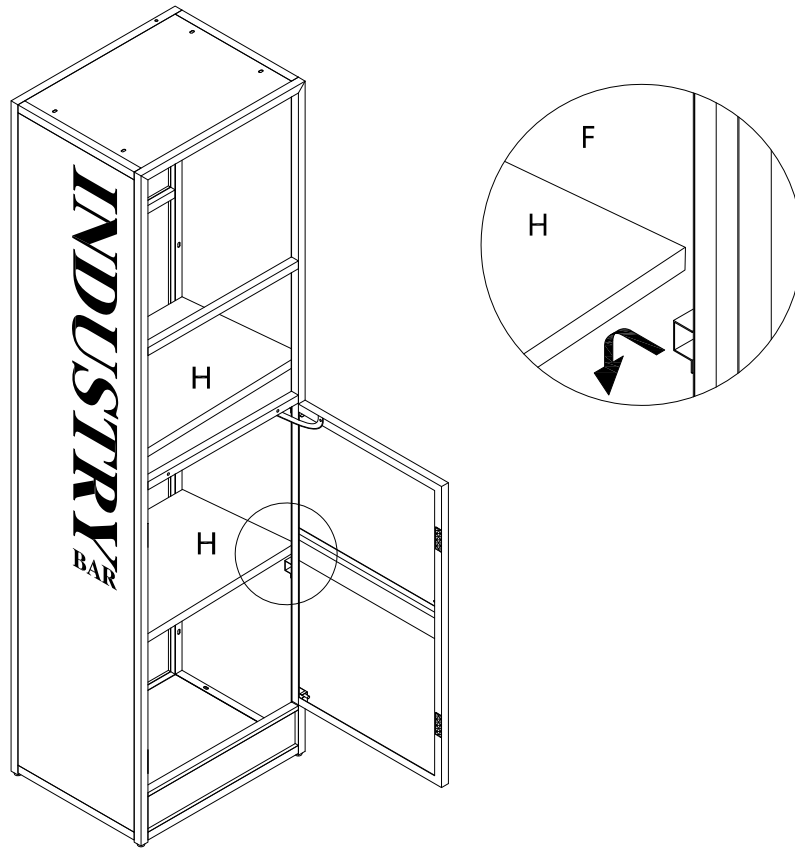
1		20pcs
M5x10		

# STEP 2.

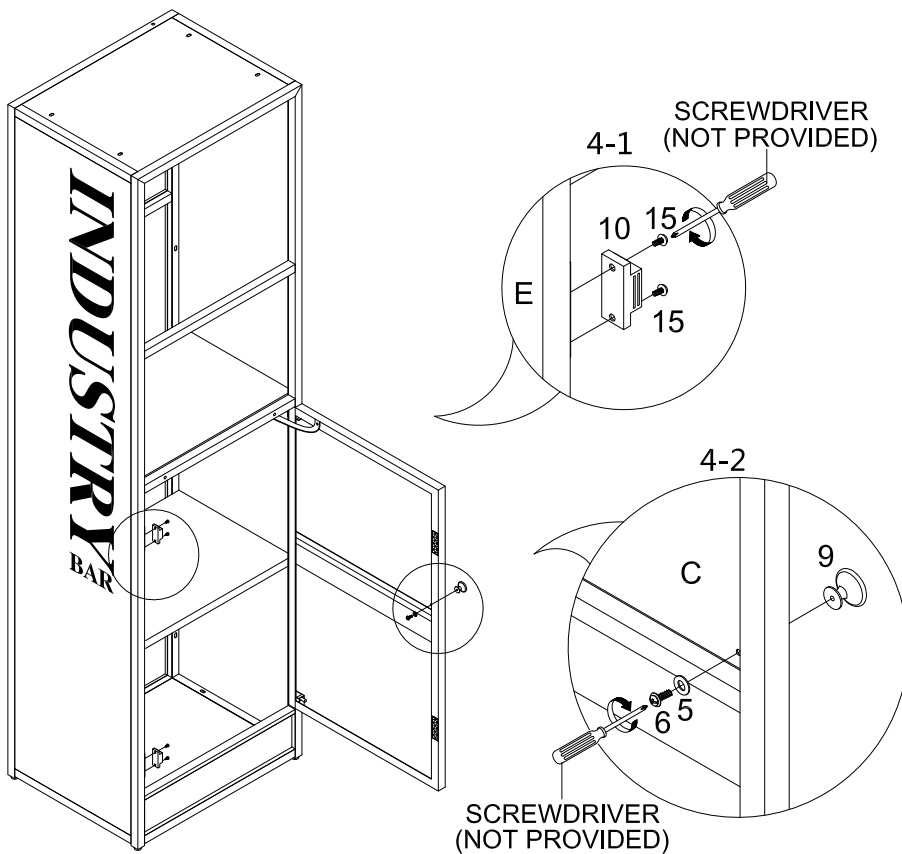







1		12pcs
M5x10		
16		4pcs
M6x16		

### STEP 3.

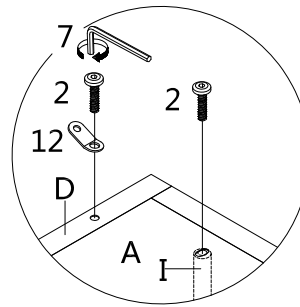
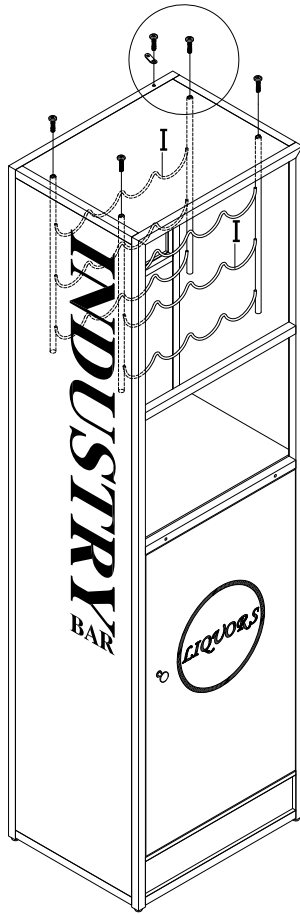




### STEP 4.



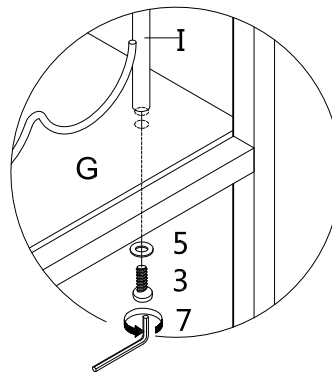
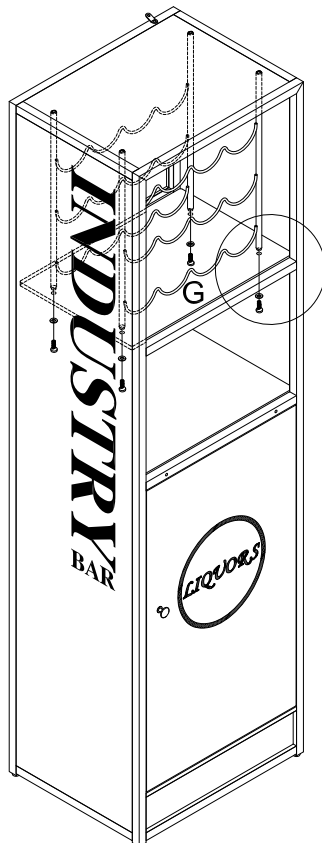
5		1pc
6		1pc
9		1pc
10		2pcs
15		4pcs



# STEP 5.



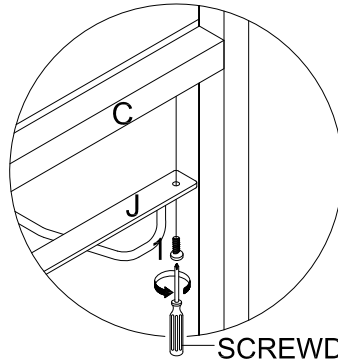
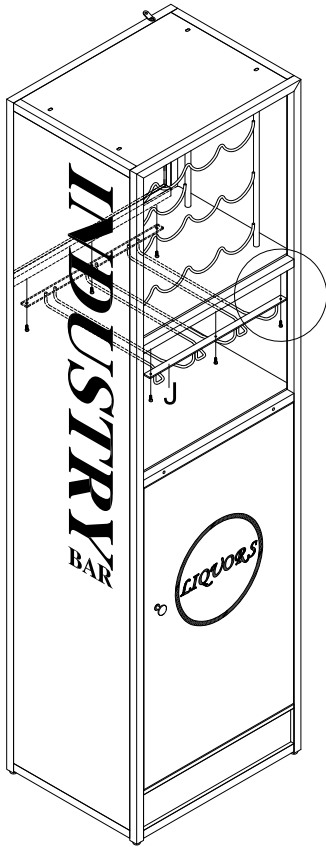
2		5pcs
M6x12		
12		1pc

# STEP 6.



3		4pcs
M6x30		
5		4pcs
Ø20xØ6x1.5		

# STEP 7.



SCREWDRIVER  
(NOT PROVIDED)

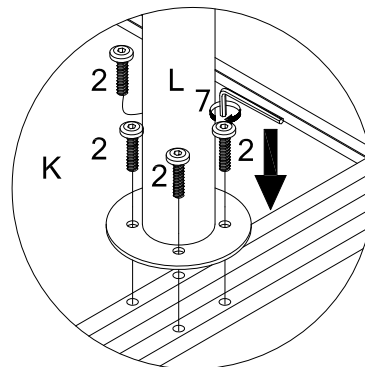
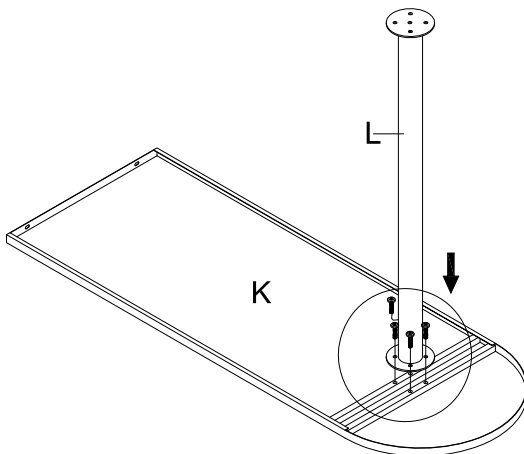
1

M5x10



6pcs

# STEP 8.



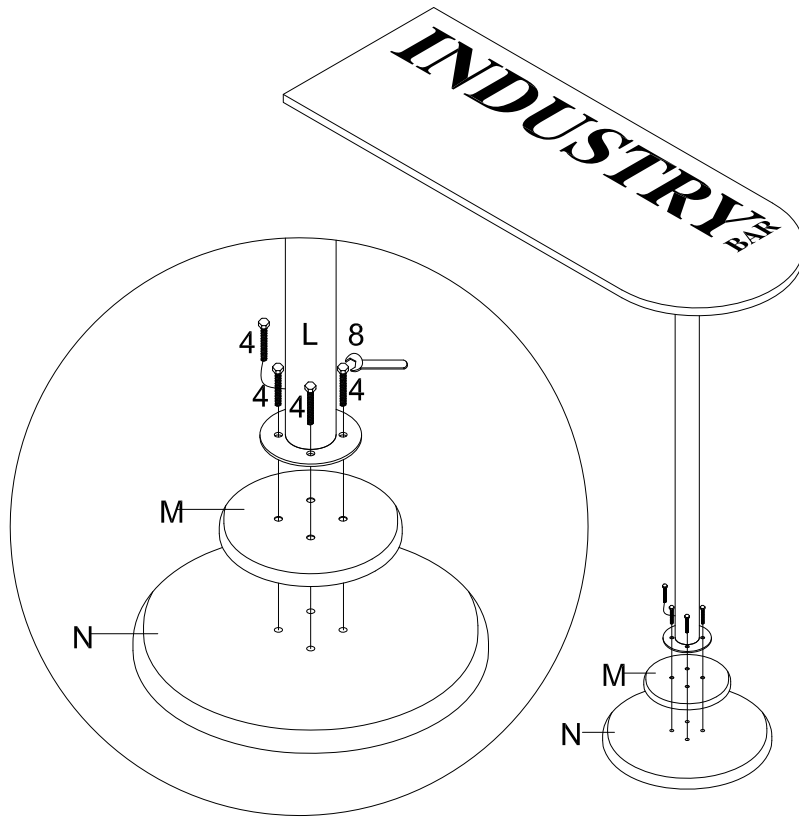
2

M6x12



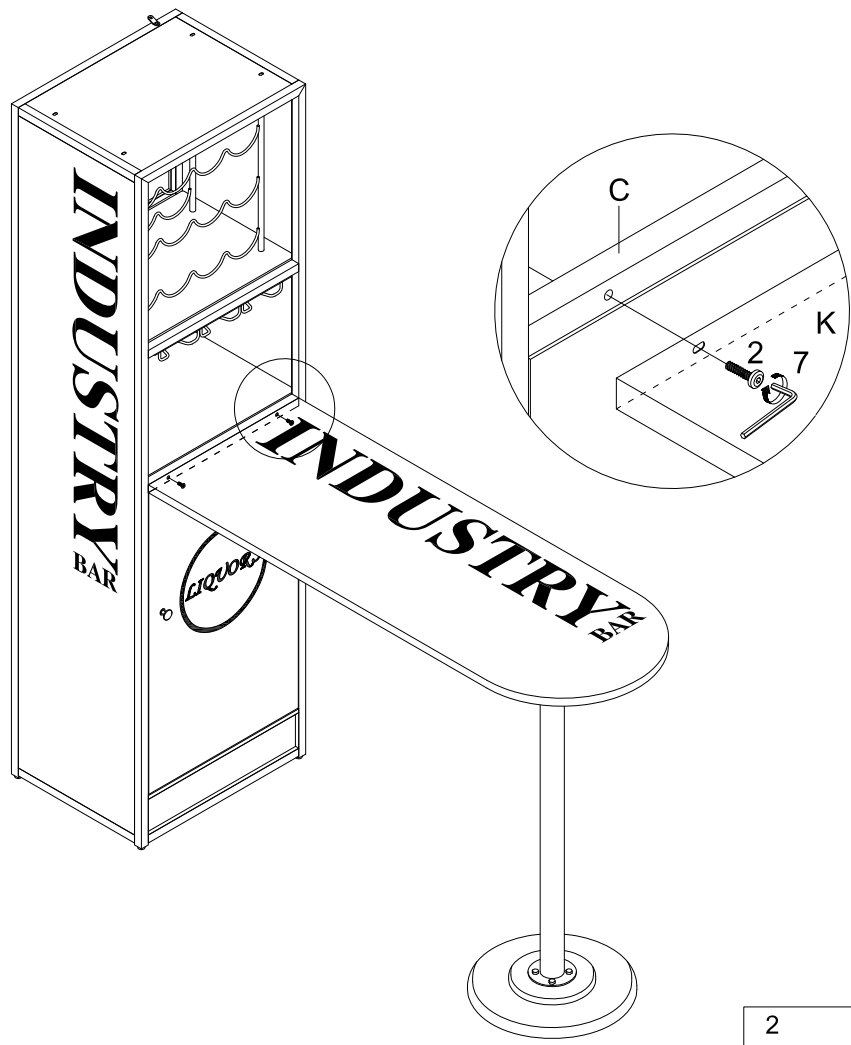
4pcs

STEP 9.



4  
M8x35 4pcs

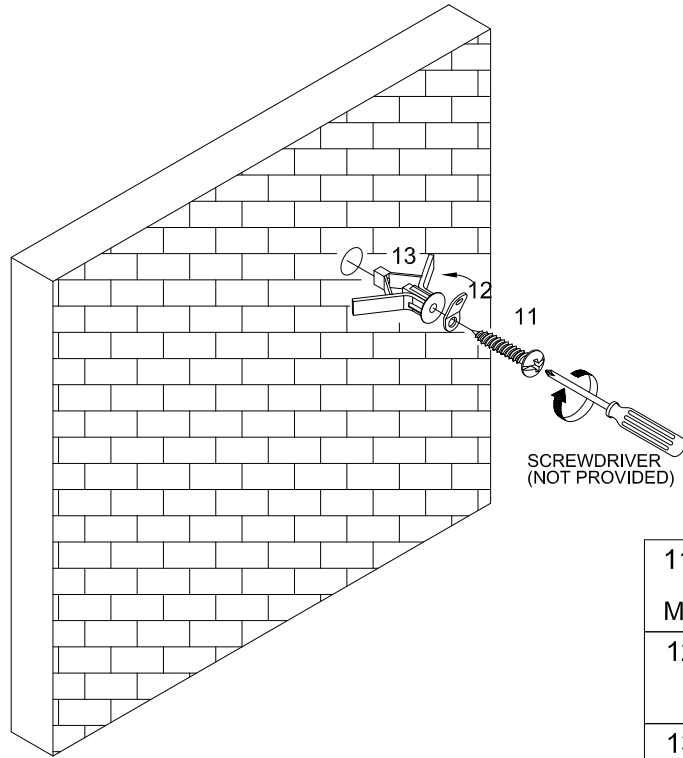
STEP 10.






2  
M6x12 2pcs



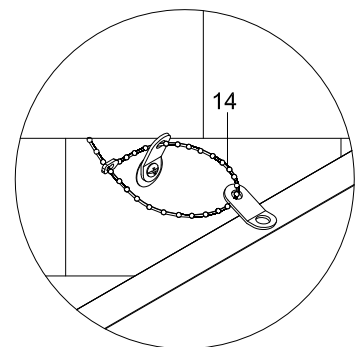
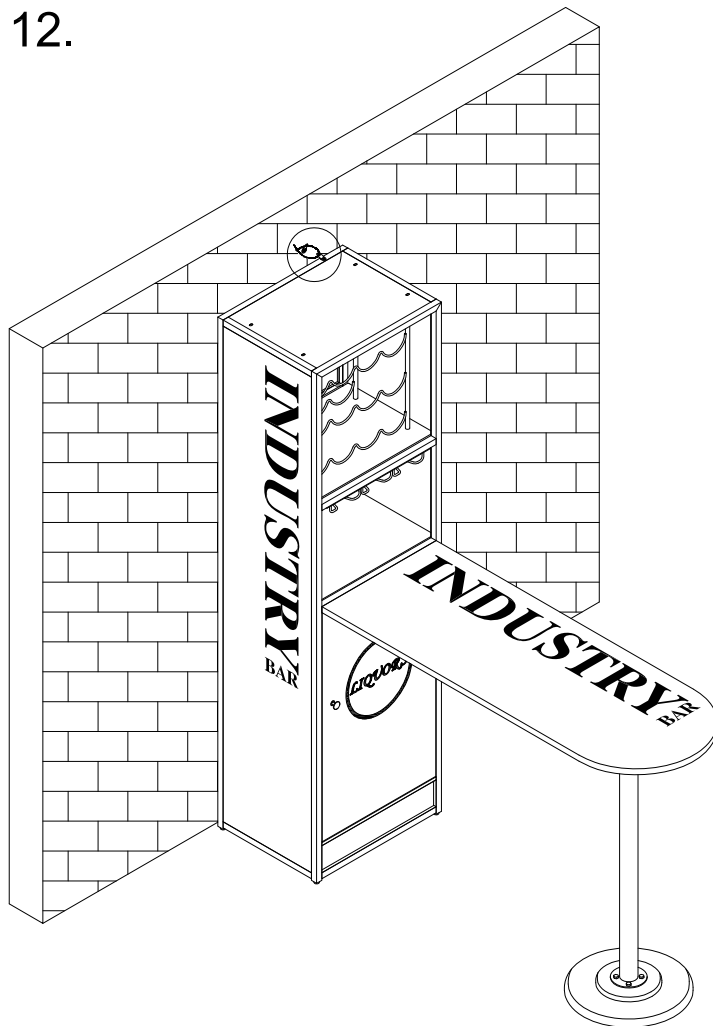
# STEP 11.




SCREWDRIVER  
(NOT PROVIDED)

11		1pc
M4x37		
12		1pc
13		1pc

# STEP 12.



14		1pc
----	---	-----