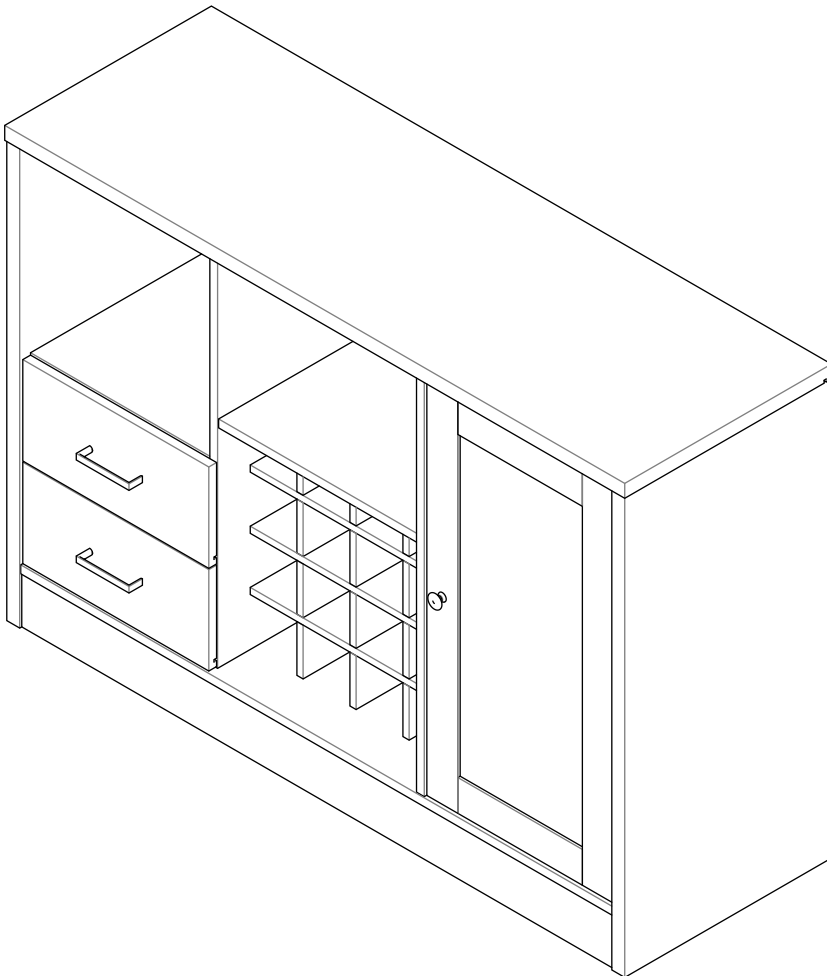


# ASSEMBLY INSTRUCTIONS

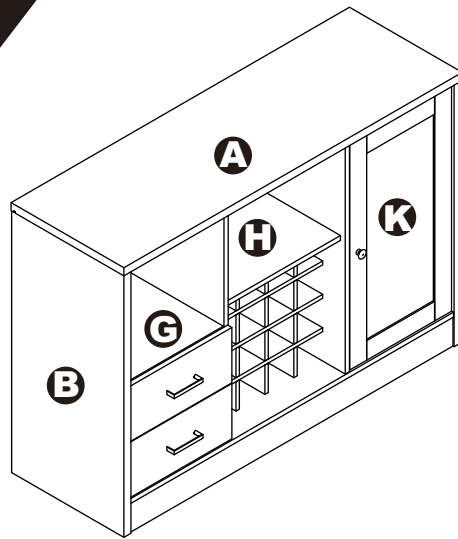
72635/72640



WINE RACK

# WINE RACK

72635/72640

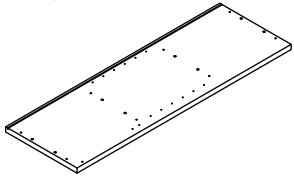


## DIMENSIONS

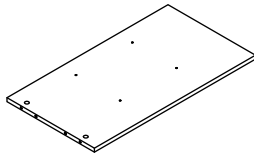
Width - 47.24"  
Depth - 15.75"  
Height - 32.68"

## PARTS LIST

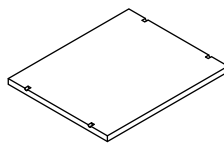
**A** X1



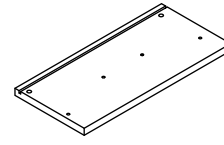
**E** X1



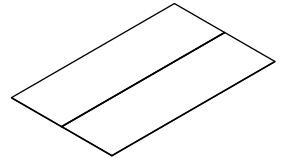
**I** X2



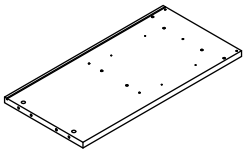
**M** X2



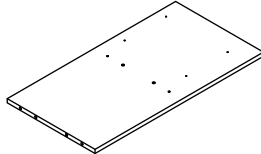
**Q** X1



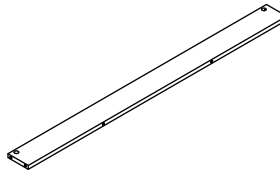
**B** X1



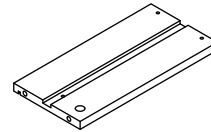
**F** X1



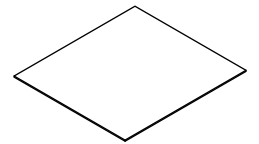
**J** X2



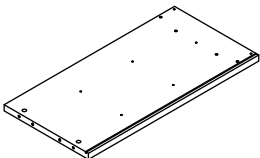
**N** X2



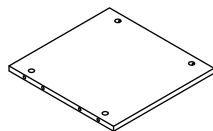
**R** X2



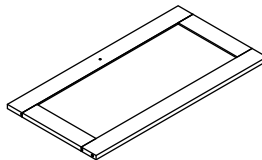
**C** X1



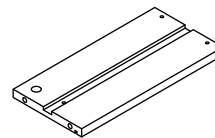
**G** X1



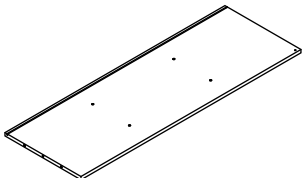
**K** X1



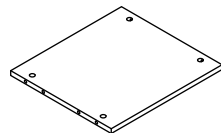
**O** X2



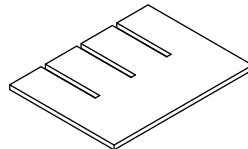
**D** X1



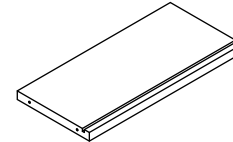
**H** X1



**L** X6

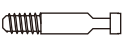


**P** X2



## HARDWARE LIST

**1** X26



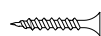
**2** X26



**3** X32



**4** X8



**5** X4



**6** X4



**7** X8



**8** X4



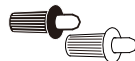
**9** X6



**10** X6



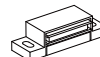
**11** X1



**12** X8



**13** X1



**14** X2



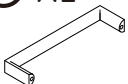
**15** X1



**16** X1



**17** X2



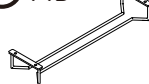
**19** X1



**20** X5



**21** X3

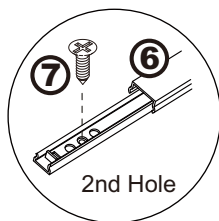
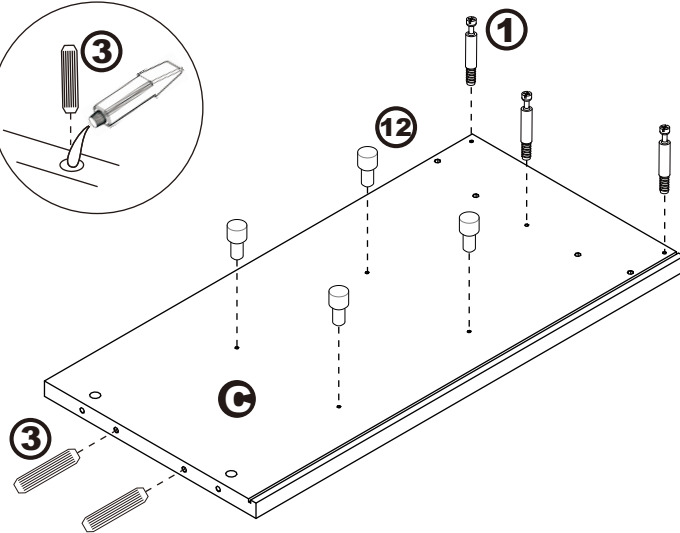
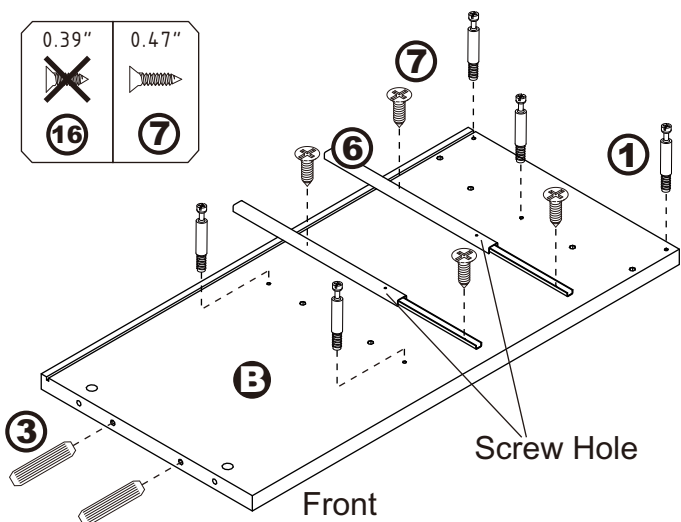
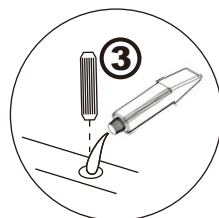
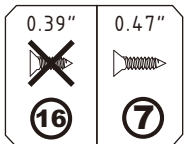
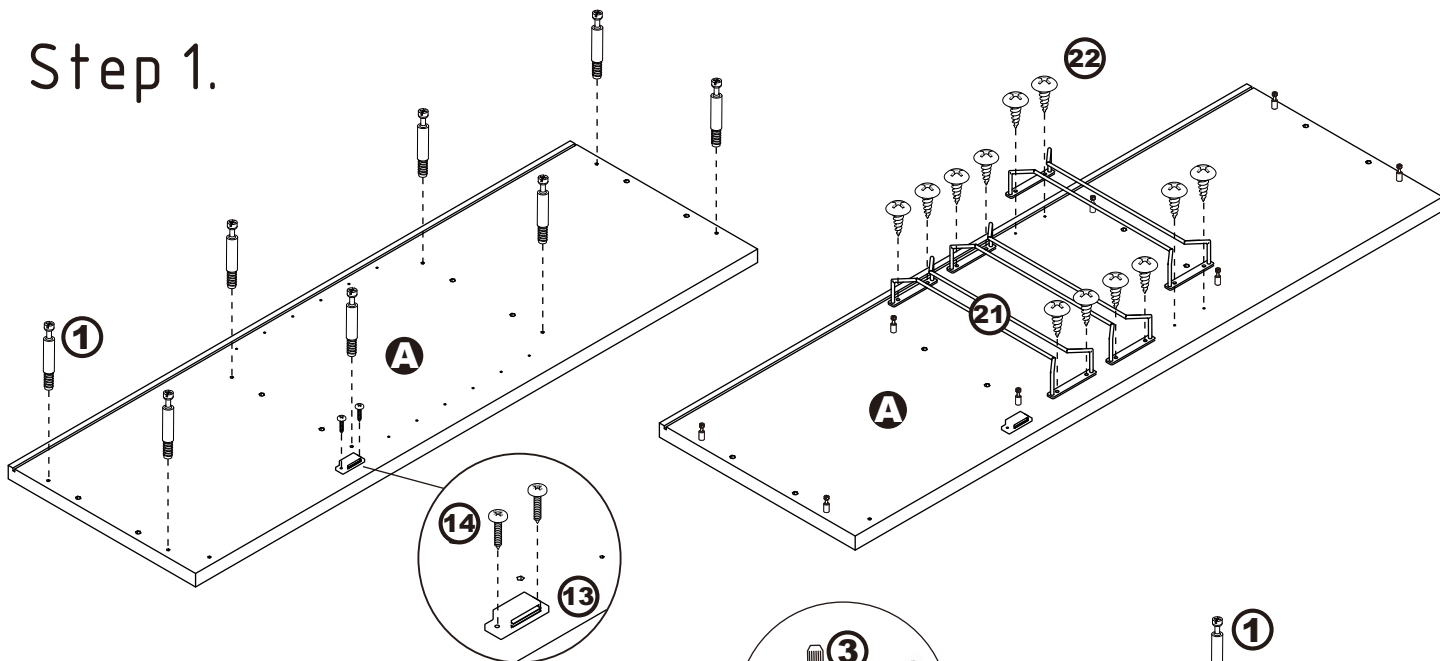


**22** X12

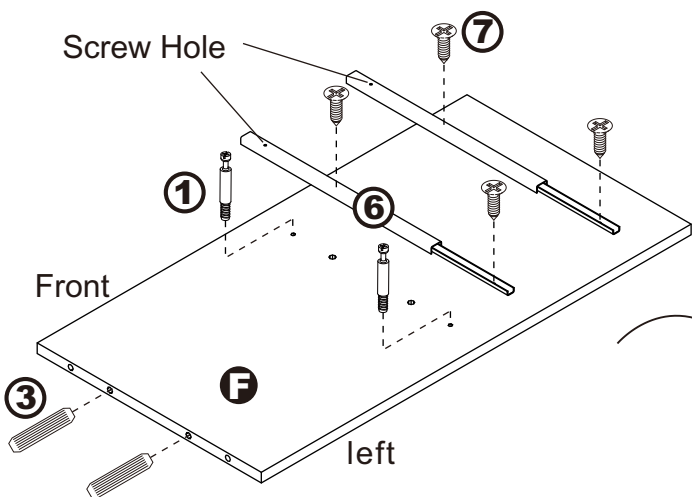


# ASSEMBLY INSTRUCTIONS

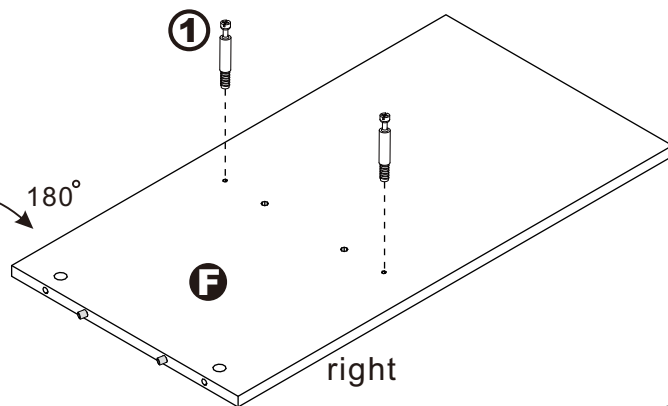
## Step 1.



Push runner to see screw holes on the other end

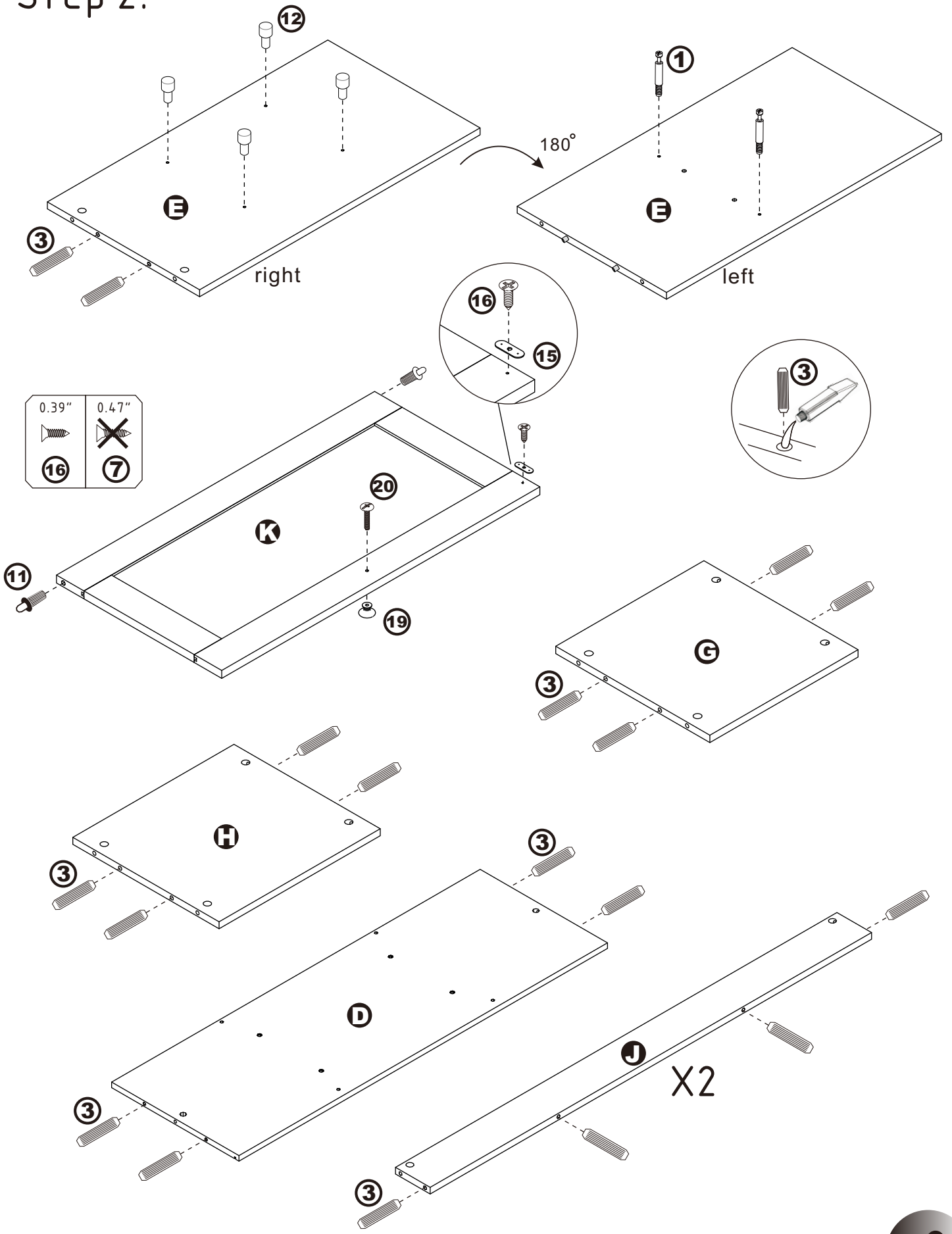


180°



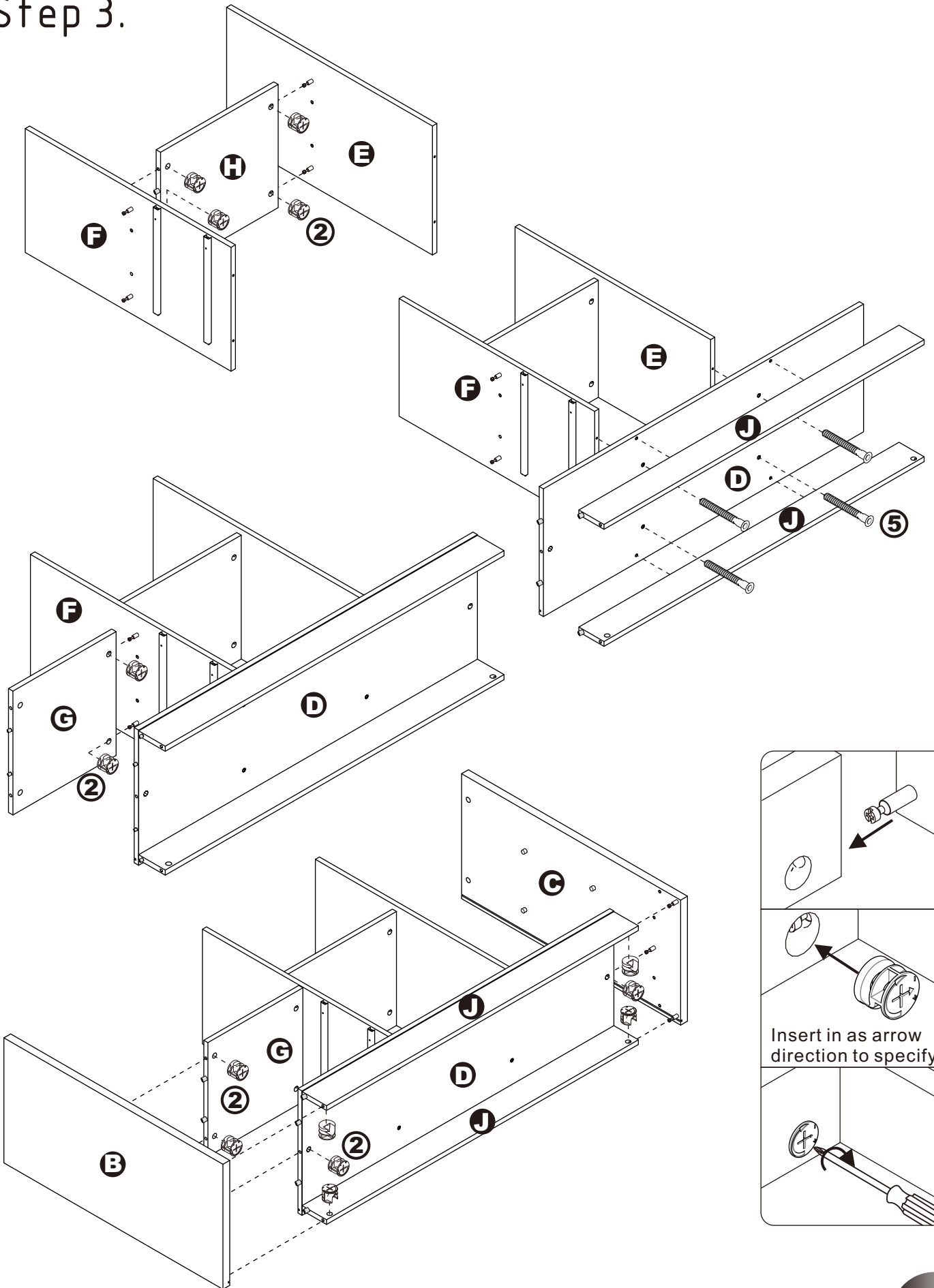
# ASSEMBLY INSTRUCTIONS

## Step 2.



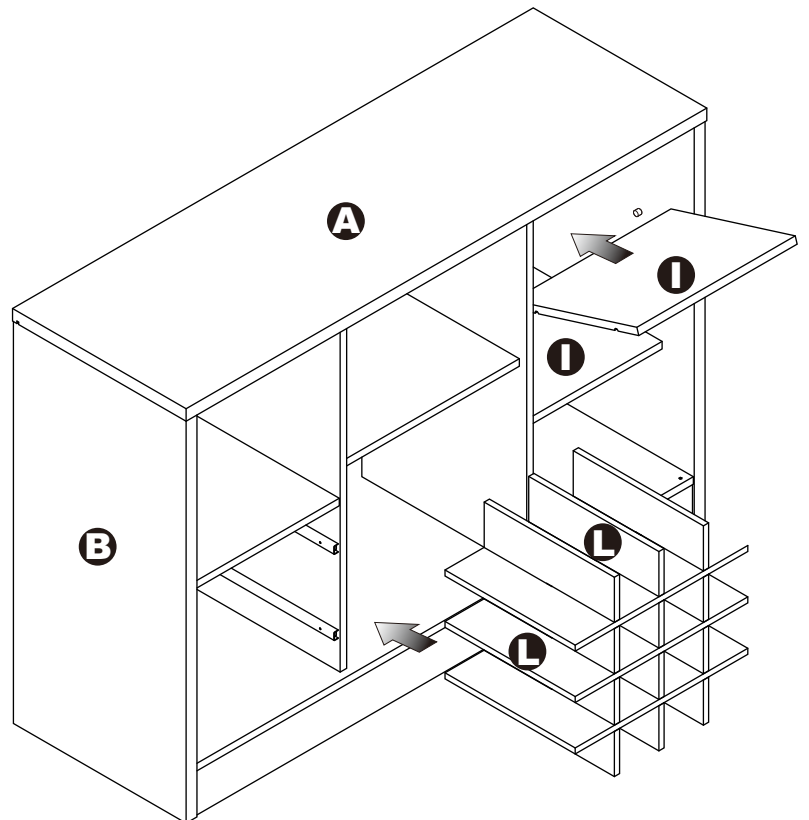
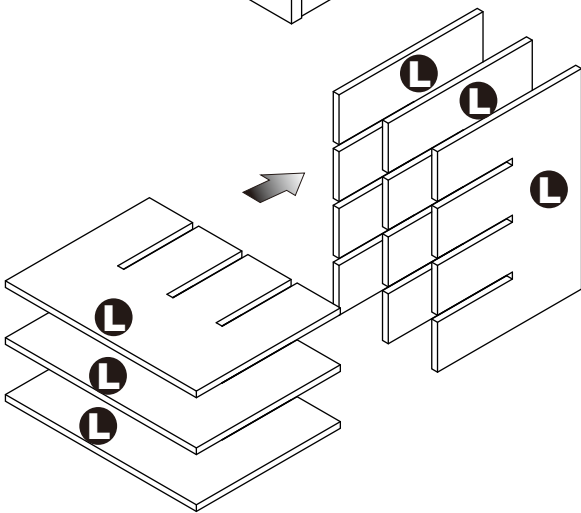
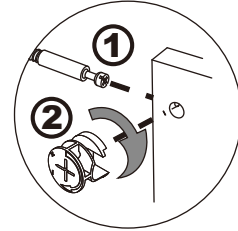
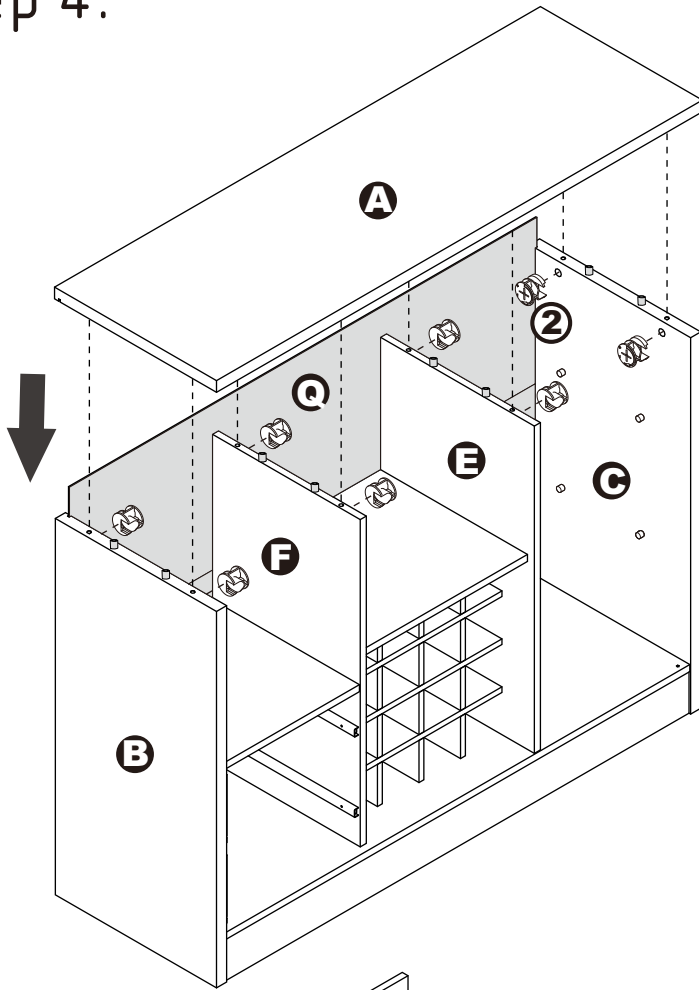
# ASSEMBLY INSTRUCTIONS

## Step 3.



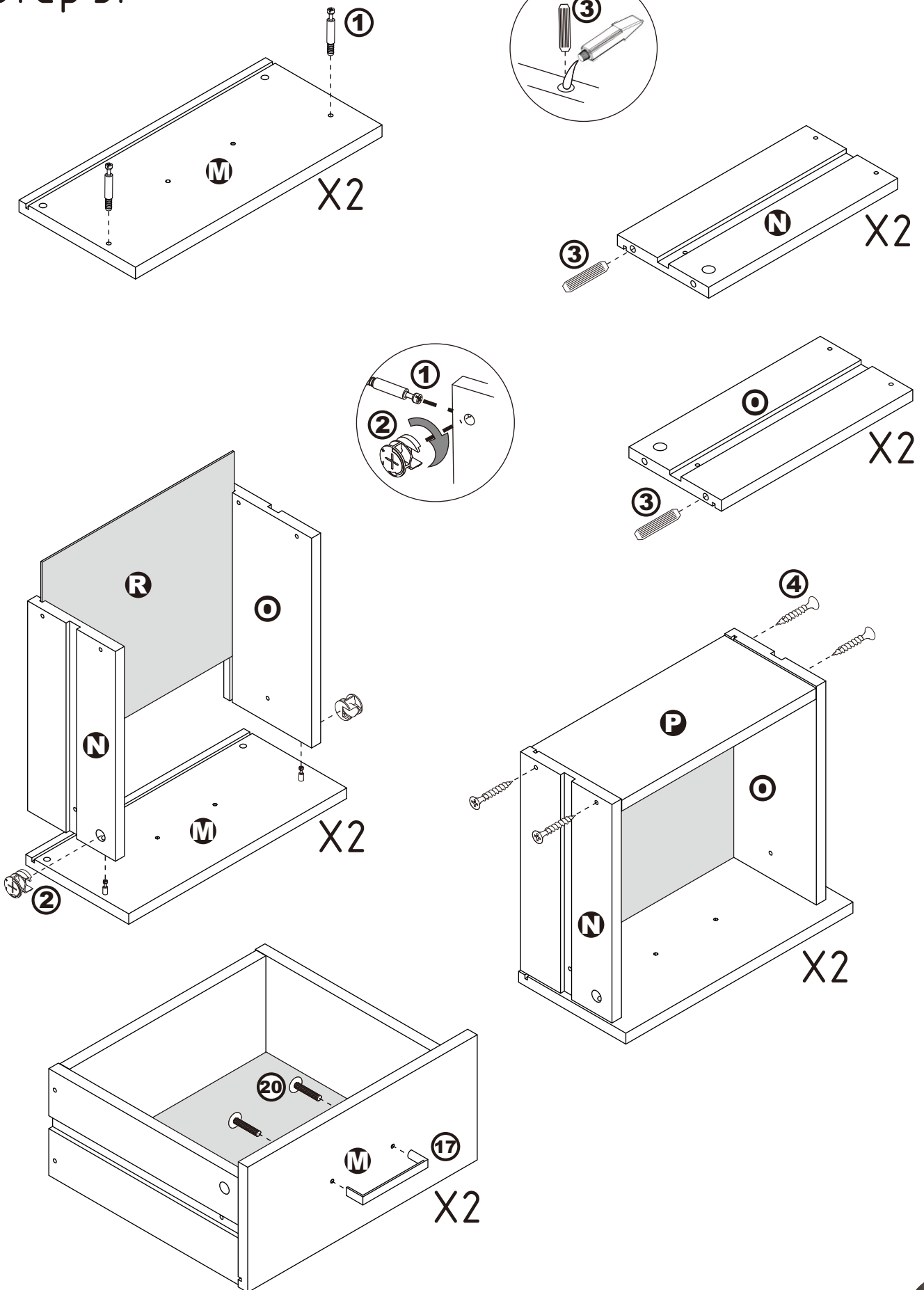
# ASSEMBLY INSTRUCTIONS

Step 4.



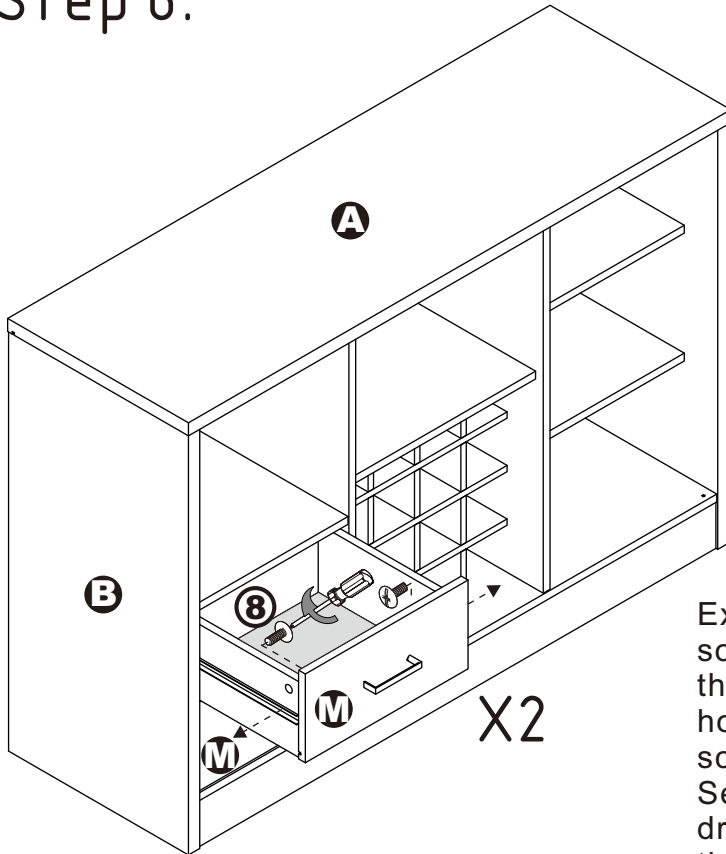
# ASSEMBLY INSTRUCTIONS

## Step 5.

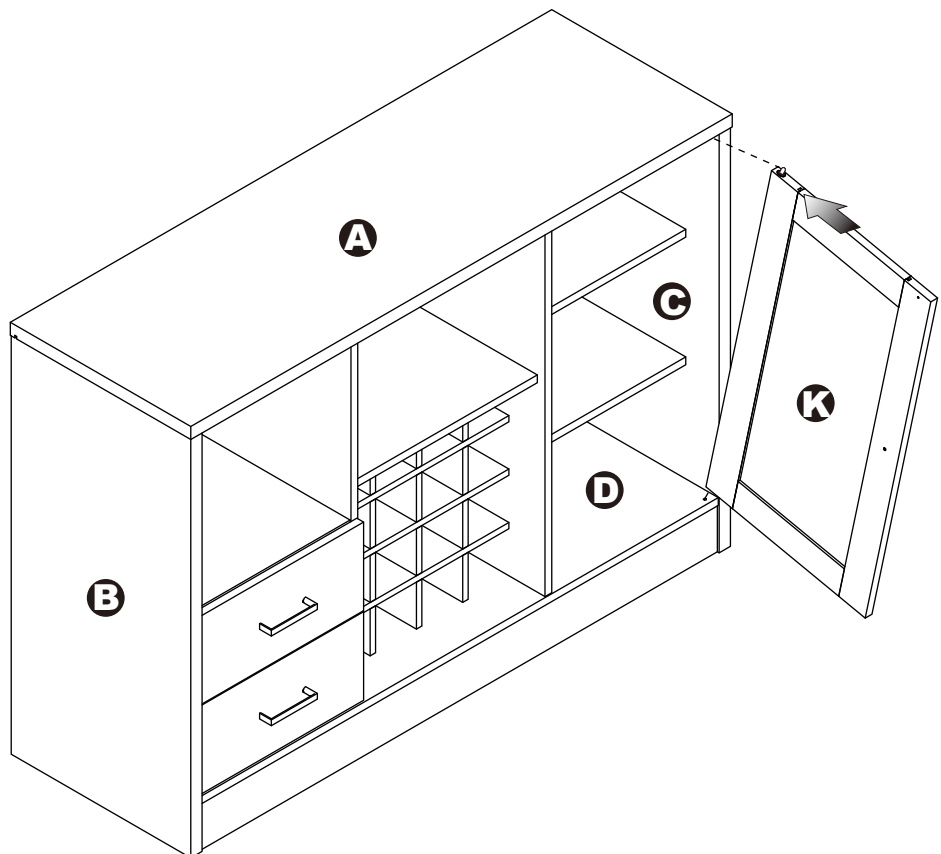


# ASSEMBLY INSTRUCTIONS

## Step 6.



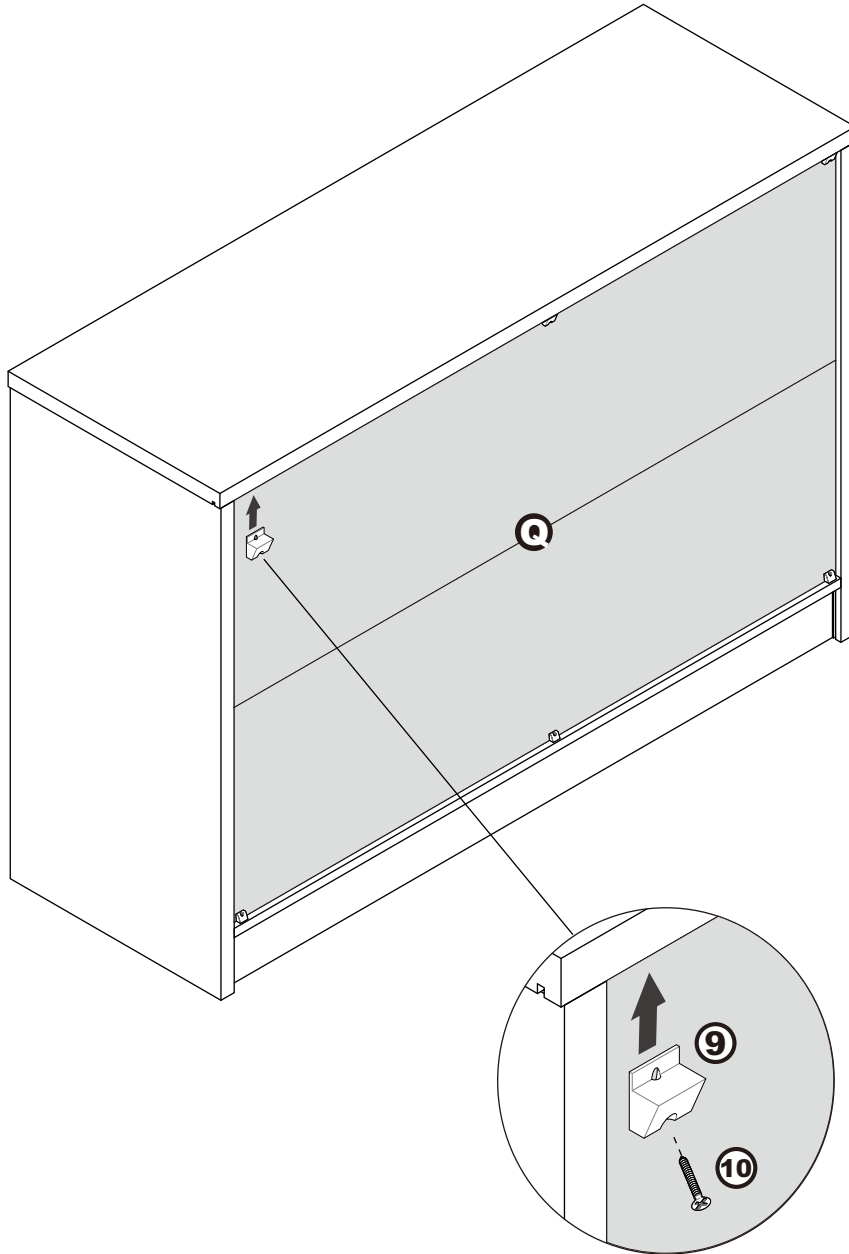
Extend the two outer slides of the runners so that they could align with the sides of the drawer. Make sure the pre-drilled holes from the drawer align with the screw holes of the outer slides. Secure two screws from the inside of the drawer using a Phillips screwdriver to tighten them to the outer slides.





# ASSEMBLY INSTRUCTIONS

## Step 7.



### **ASSEMBLY IS COMPLETED**

Make sure the product is rested on a flat surface and does not feel loose or wobbly. If it does, double check that the bolts/screws are secured and properly tightened.