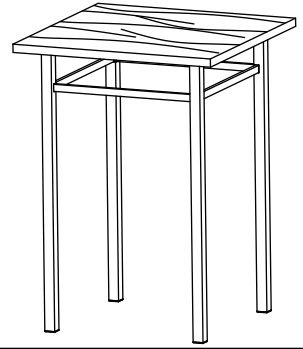
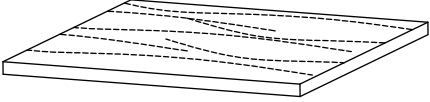
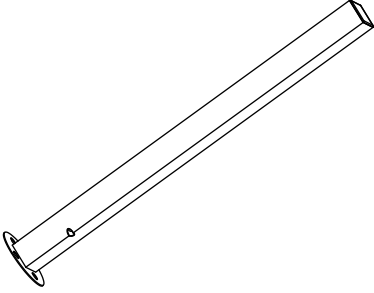
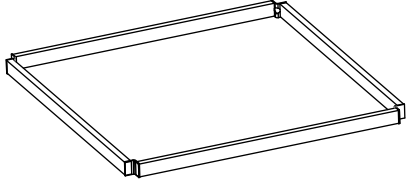
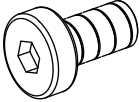
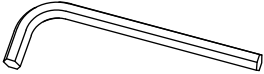


ITEM NO. 72595 BAR TABLE

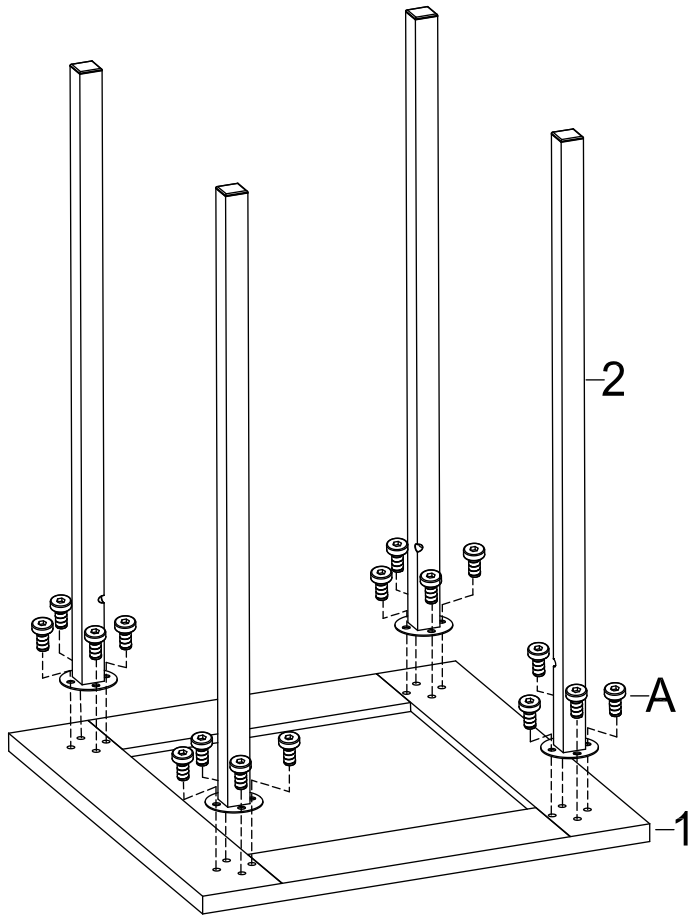


ASSEMBLY INSTRUCTIONS

1	2	3
 <p>TABLE TOP 1PC</p> <p>A</p>	 <p>LEG 4PCS</p> <p>B</p>	 <p>METAL FRAME 1PC</p>
 <p>BOLT 1/4"x5/8" 20PCS</p>	 <p>ALLEN KEY 1PC</p>	

***** Do not tighten screws & bolts until the entire unit is completely assembled. *****

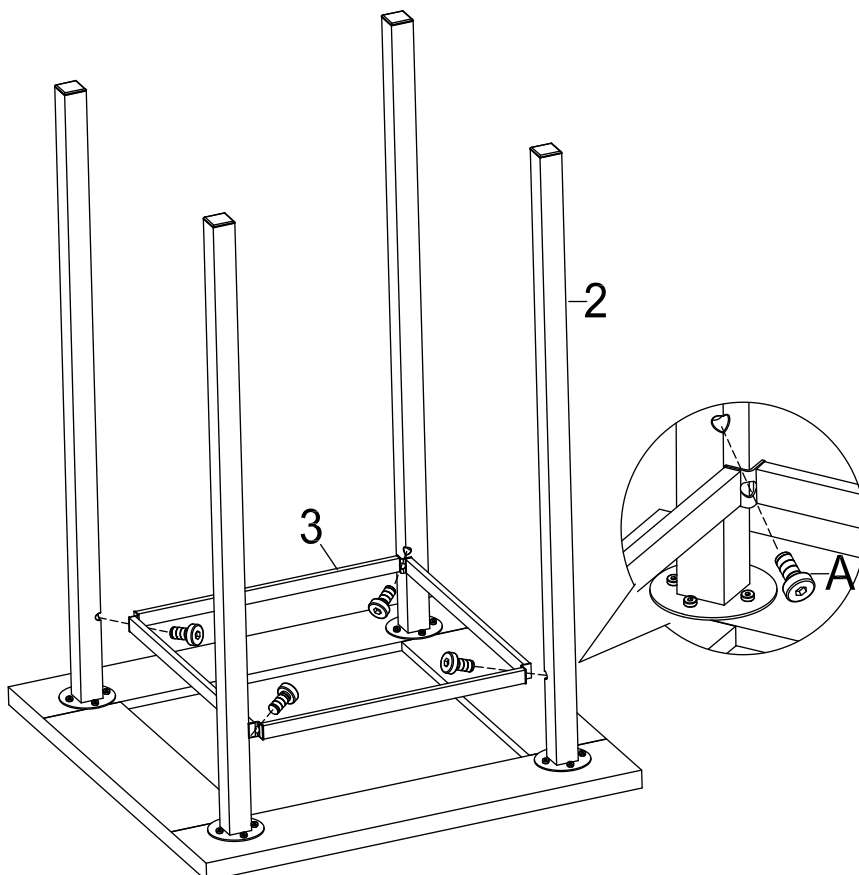
STEP 1



*Please put all parts on a soft surface to prevent scratches.

Attach leg (2) to table top (1) by using bolt (A) as shown.

STEP 2



Attach metal frame (3) to leg (2) by using bolt (A) as shown.

Tighten all bolts firmly.

Then turn the unit right side up carefully.

Your table is now complete.