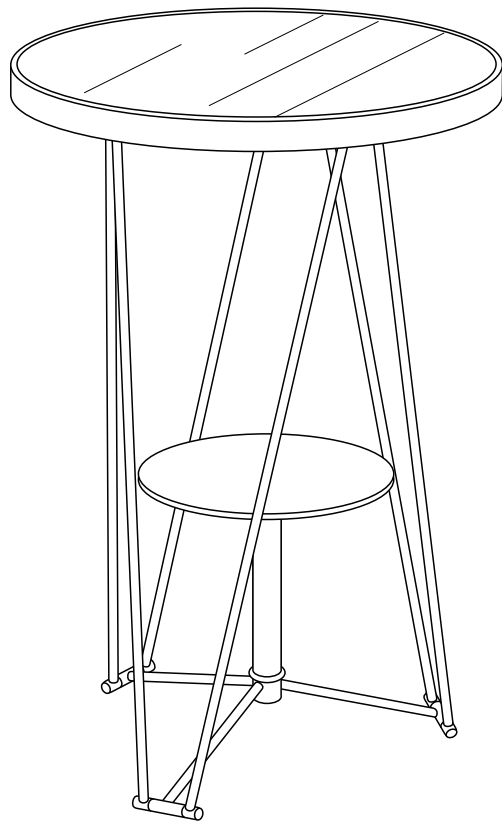


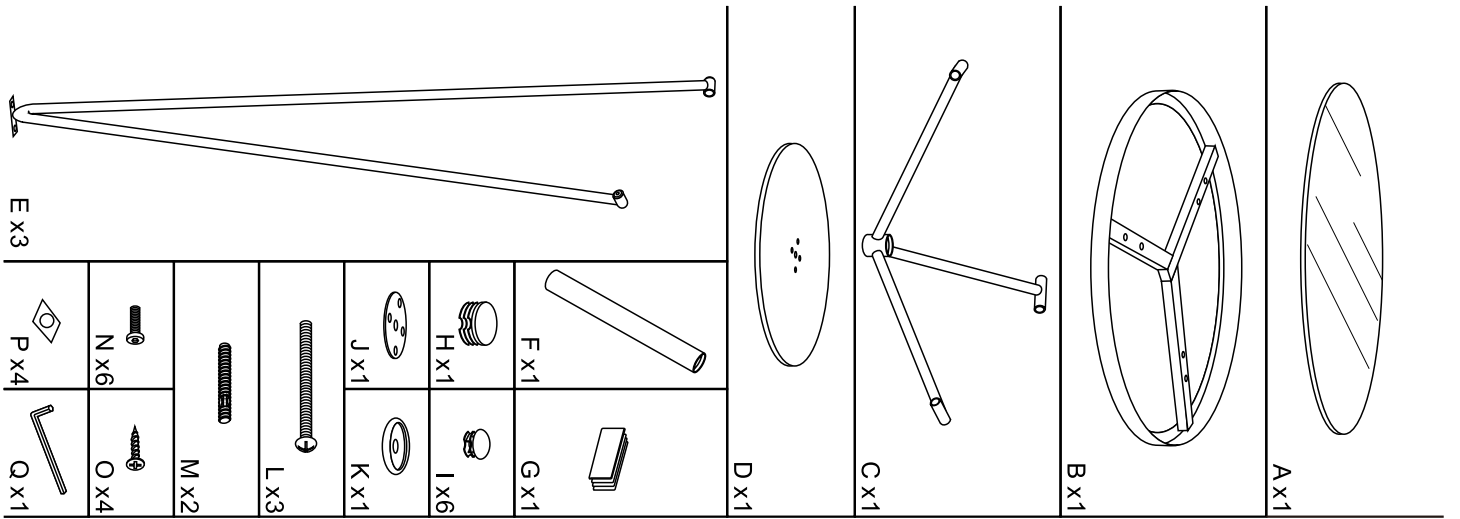
*ASSEMBLY INSTRUCTIONS*

72577

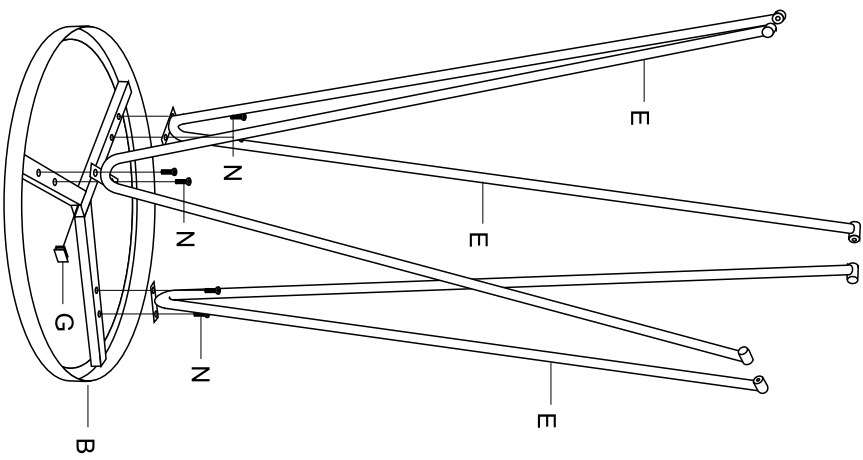


**BAR TABLE**

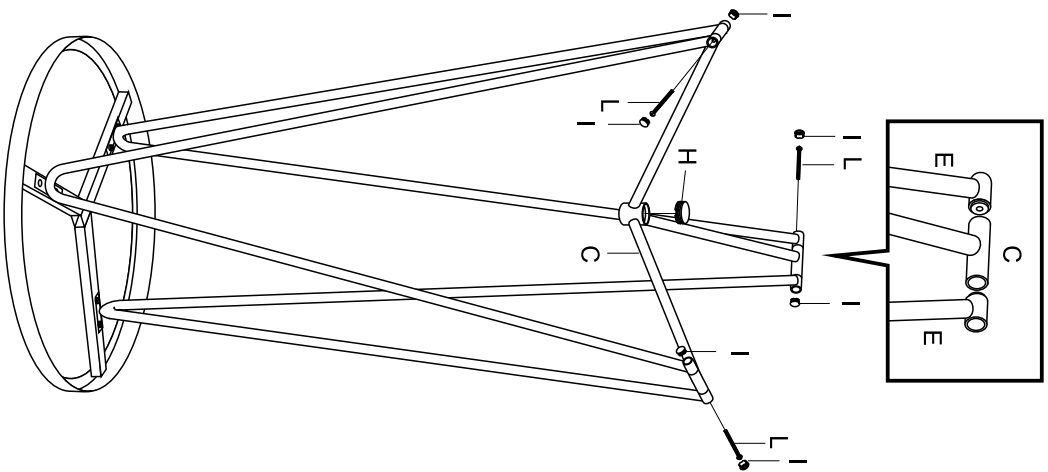
# ASSEMBLY INSTRUCTIONS



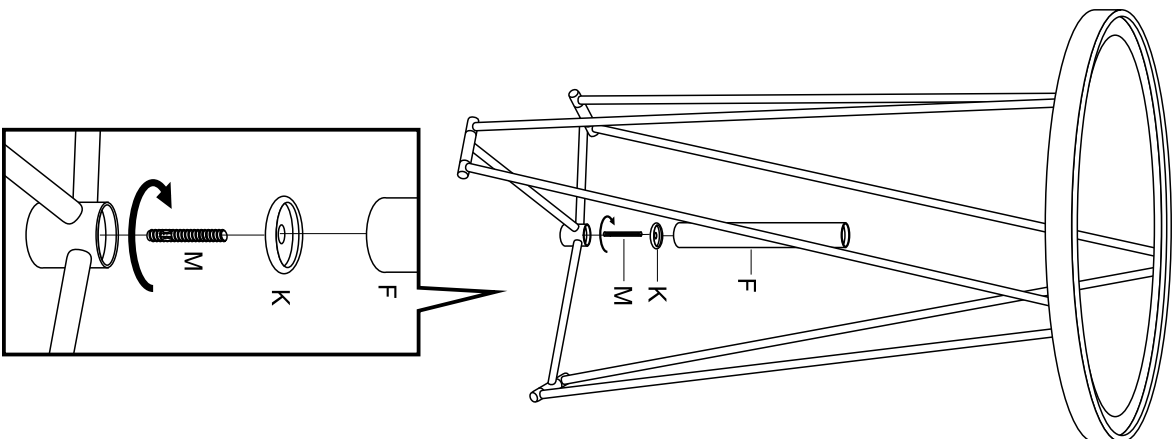
1



2



3



# ASSEMBLY INSTRUCTIONS

