

ITEM NO. 72172 GRAY VELVET


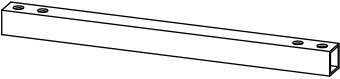
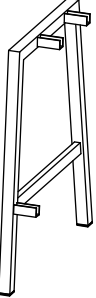
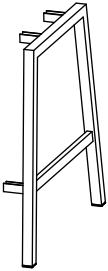
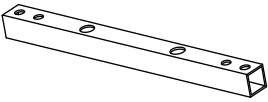
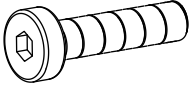
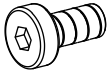
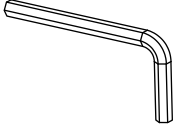
72173 BURGUNDY VELVET

72174 YELLOW VELVET

72175 PEACOCK VELVET

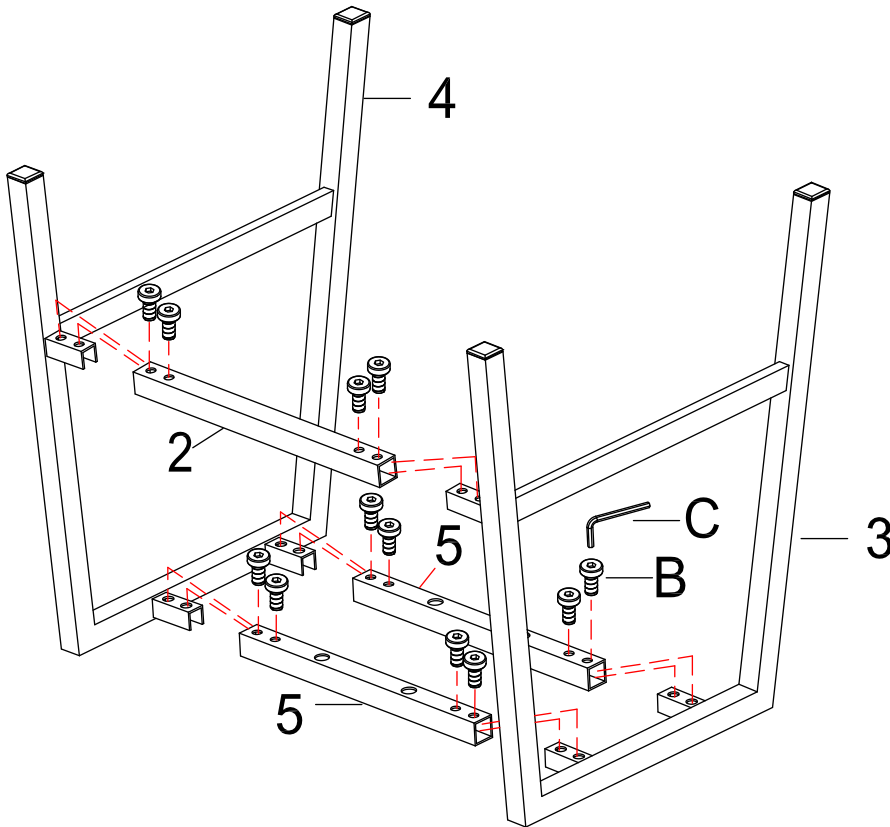


ASSEMBLY INSTRUCTIONS

<p>1</p>  <p>ACRYLIC BACK W/SEAT 1PC</p>	<p>2</p>  <p>BOTTOM STRETCHER 1PC</p>	<p>3</p>  <p>LEFT SIDE PANEL 1PC</p>
<p>4</p>  <p>RIGHT SIDE PANEL 1PC</p>	<p>5</p>  <p>TOP STRETCHER 2PCS</p>	
<p>A</p>  <p>BOLT 1/4" x 1-3/4" 4PCS</p>	<p>B</p>  <p>BOLT 1/4" x 1/2" 12PCS</p>	<p>C</p>  <p>1/4" ALLEN KEY 1PC</p>

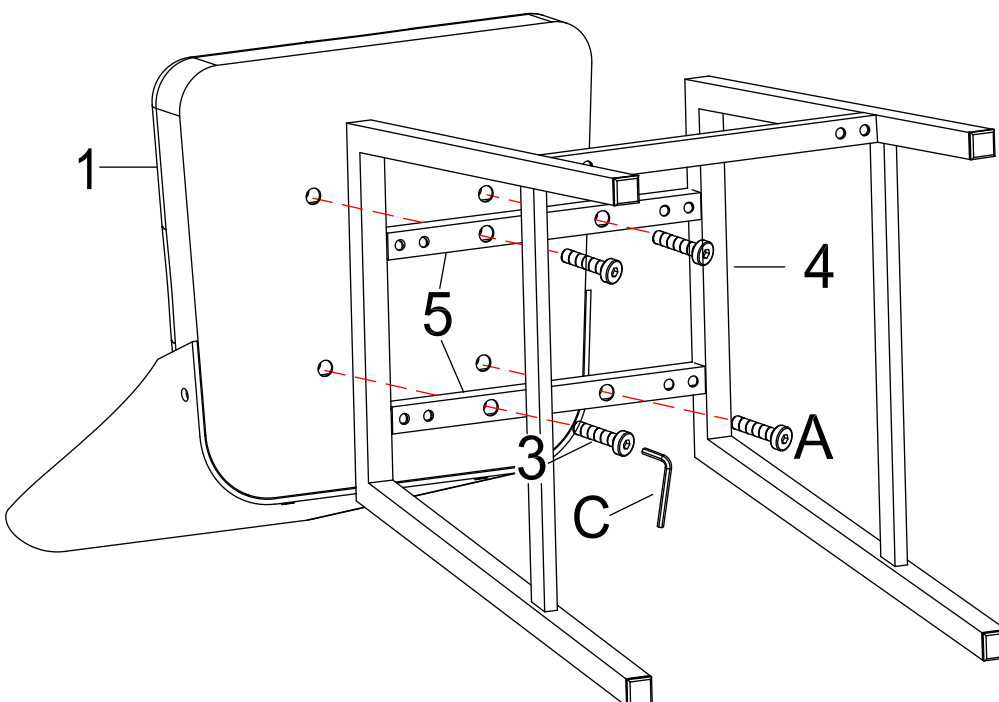
***** Do not tighten screws & bolts until the entire unit is completely assembled. *****

STEP 1



Attach left side panel (3) and right side panel (4) to two top stretchers (5) and bottom stretcher (2) by using bolts (B) and 1/4" allen key (C) as shown.

STEP 2



Attach assembled metal base to acrylic back w/seat (1) by using bolts (A) and 1/4" allen key (C) as shown.