

## ASSEMBLY INSTRUCTION FOR ACME FURNITURE MODEL ITEM NO. #72157

BUNKBED Thank you for purchasing this quality product. Be sure to check all packing material carefully for small parts which may have come loose inside the carton during shipment. Separate, identify and count all parts and metal hardware. Compare with parts list to be sure all parts are present. If any parts are missing or damaged, please contact your local furniture dealer. For efficient and speedy service, please indicate the model number and code letter of parts needed.

Do not fully tighten screws until fully assembled.



### HARDWARE LIST:

NO.	SKETCH	DESCRIPTION	SIZE	Q'TY
A		Wrench	5mm	1pc
B		Bolt	Ø5/16" * 1-3/4"	8pcs
C		Spring Washer	Ø5/16"	8pcs
D		Flat Washer	Ø5/16"	8pcs

### PLEASE NOTE:

- 1), BEFORE BEGINNING REVIEW THE PARTS LIST TO ASSURE THAT ALL ITEMS ARE PRESENT.
- 2), ASSEMBLE YOUR ITEM ON A SOFT FLAT SURFACE TO PREVENT SCRATCHING THE FINISH.
- 3), PLEASE DO NOT OVER TIGHTEN BOLTS DURING ASSEMBLY. THIS ITEM MAY REQUIRE PERIODIC TIGHTENING.

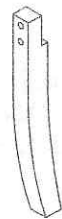
### PARTS LIST:



(1) chair back frame (1 set)



(2) front leg (2 PCS)

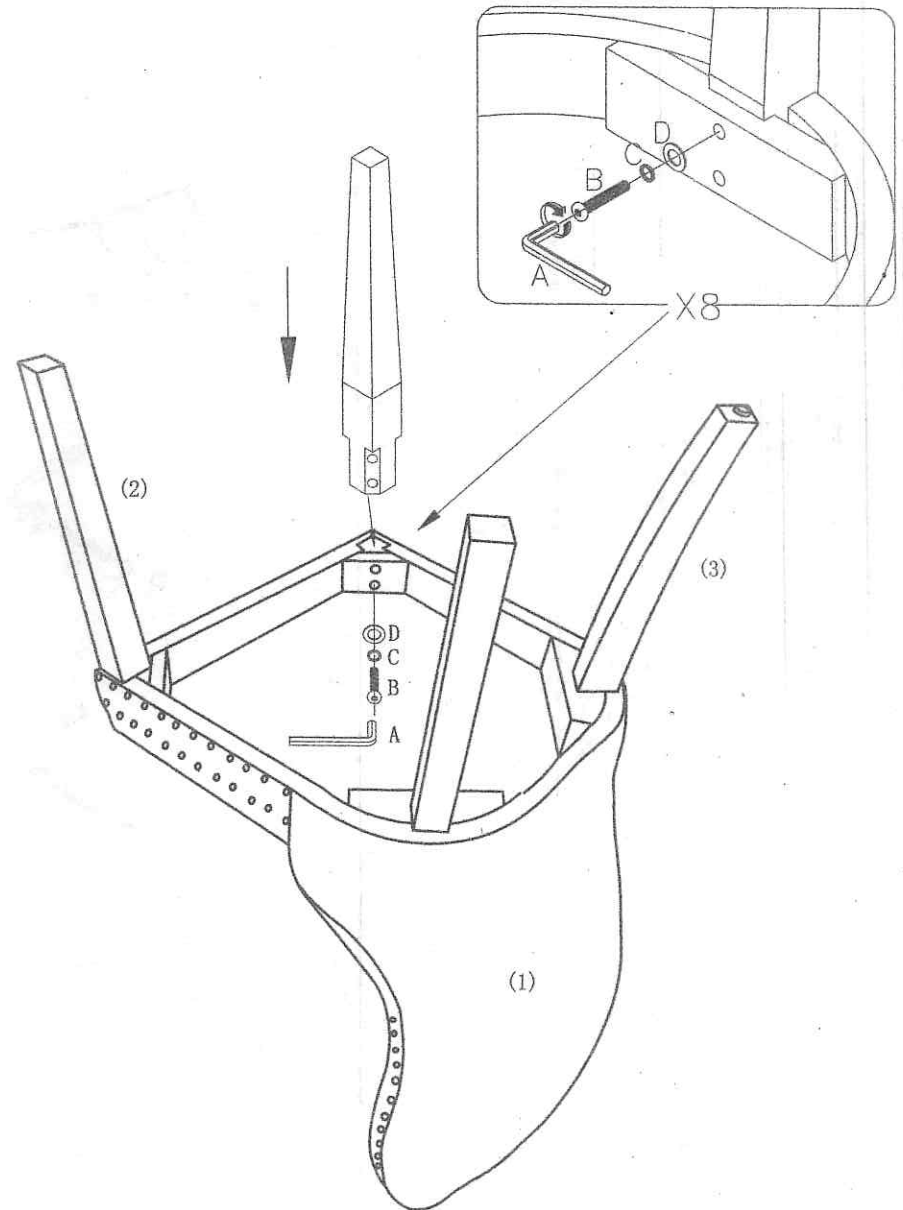


(3) post leg (2 pcs)

Thanks for choosing legends furniture!

1 of 2

### STEP 1



Thanks for choosing legends furniture!

2 of 2