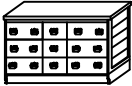





ASSEMBLY INSTRUCTIONS

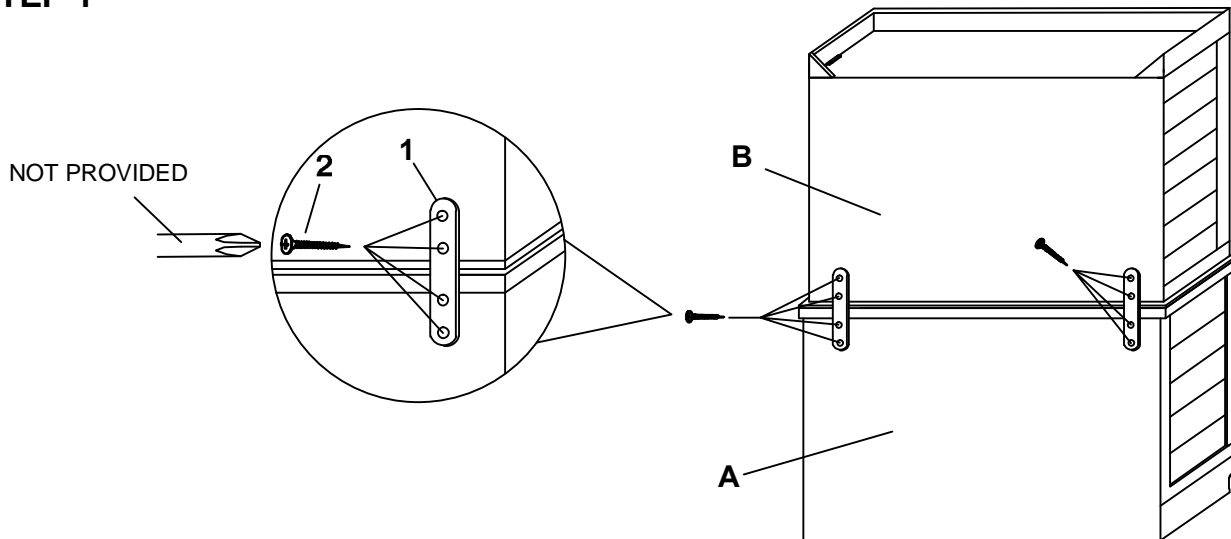
MODEL : # 71854B/71853H

Important note :

- Place all wooden parts on a clean and smooth surface such as a rug or carpet to avoid scratching the parts.
- Kindly follow the assembly instructions step by step.
- Do not tighten all screws and bolts until the server is fully assembled.

| PARTS LIST | | | | HARDWARE LIST | | | |
|------------|-------------|---|------|---------------|-------------|---|-------|
| NO | DESCRIPTION | SRETCH | QTY | NO | DESCRIPTION | SRETCH | QTY |
| A | BUFFET |  | 1 Pc | 1 | METALPLATE |  | 2 Pcs |
| B | HUTCH |  | 1 Pc | 2 | SCREW |  | 6 Pcs |

STEP 1



STEP 2

