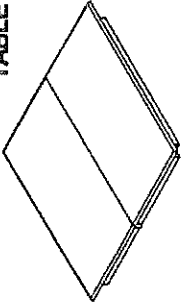
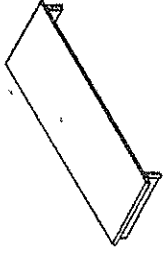
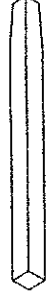






ASSEMBLY INSTRUCTION

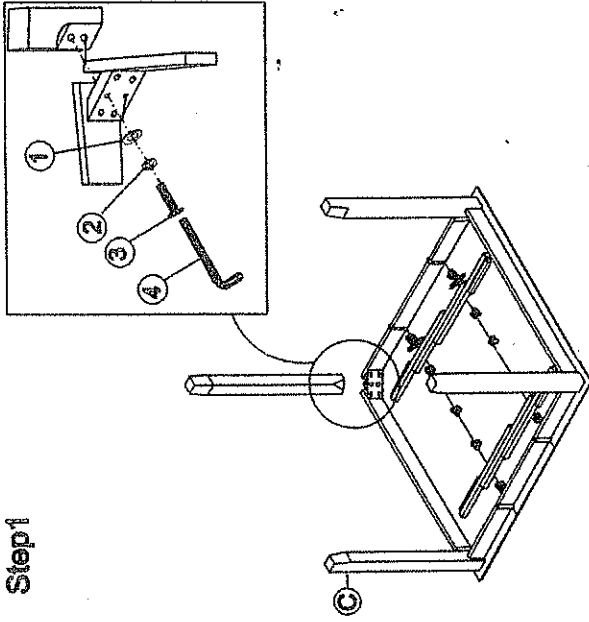
ACME

MODEL : #70680

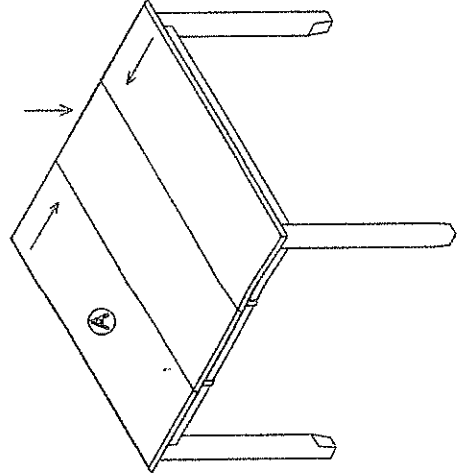
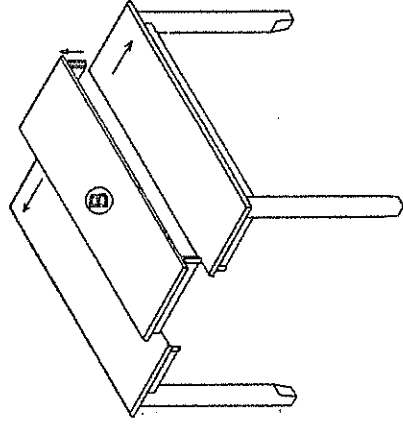
NO	PART LIST	QTY
A	 TABLE TOP	1pc
B	 LEAF	1pc
C	 LEG	4pcs

NO	HARDWARE LIST	QTY
1	 BOLT $2\frac{1}{2} \times \varnothing 6.5\text{mm}$	8pcs
2	 SPRING WASHER $\frac{1}{8} \times \varnothing 11 \times 1.5\text{mm}$	8pcs
3	 FLAT WASHER $\frac{1}{8} \times \varnothing 19 \times 1.5\text{mm}$	8pcs
4	 L-KEY 4M	1pc

Step1



Step2



**ASSEMBLY
COMPLETED!**

MADE IN VIETNAM

NOTE: AFTER A FEW DAYS OF ASSEMBLY, IT WILL HAVE ACCLIMATIZED TO THE ENVIRONMENT. PLEASE TIGHTEN ALL HARDWARE. CHECK TIGHTNESS OF ALL SCREWS EVERY 6-8 WEEKS