

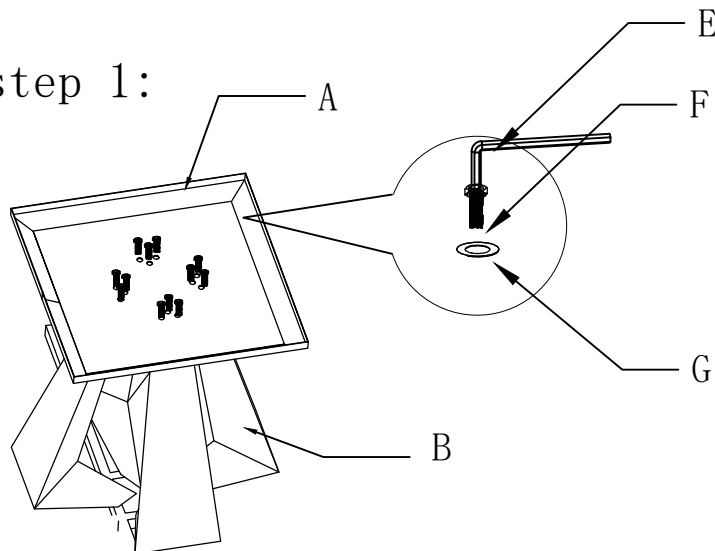
ASSEMBLY INSTRUCTION

Model: #68265

Model: Dining table

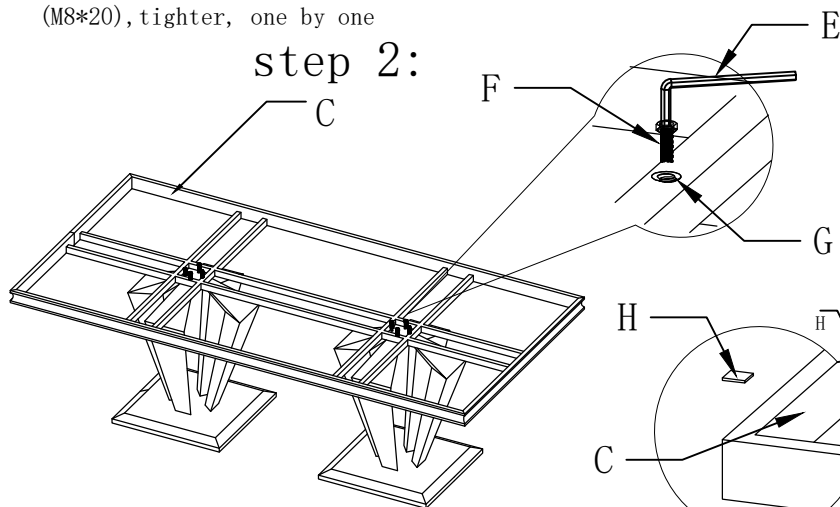
Thank you for purchasing this quality product, be sure to check all the packing materials carefully. When you received, please pay attention to the products, which may cause deformed during the shipment.

step 1:



Connect Stainless steel pillar (B) with Stainless steel base (A) by Screw (F) (M8*20), tighter, one by one

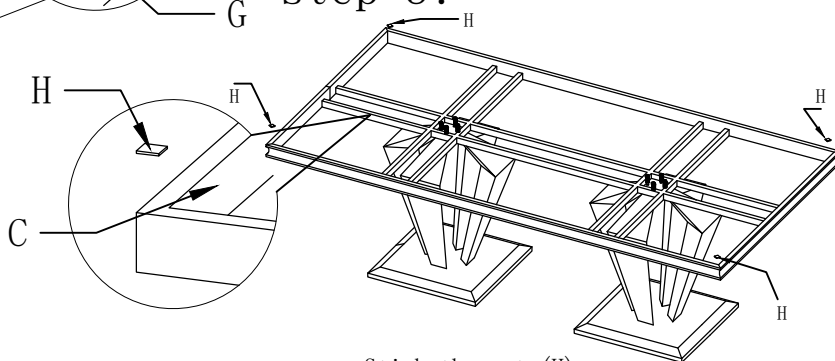
step 2:



Connect Table top frame (C) to Stainless

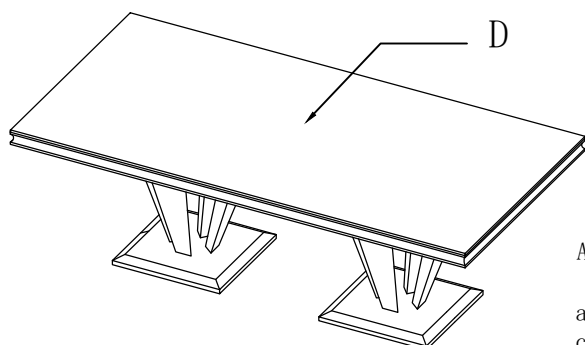
steel pillar (B) with bolts (F) (M8*60), Tighten

step 3:



Stick the mat (H) on 4 corners of the Table Top frame (C)

step 4:



Assemble the Table top (D) on the frame by aligning all the corners gently

PART LIST

NO.	Designation	Quantity	Diagram
A	Stainless steel base	2	
B	Stainless steel pillar	8	
C	Table top frame	1	
D	Table top	1	

HARDWARE LIST

NO.	Designation	Quantity	Size	Diagram
E	Allen key	1		
F	Screw	32	M8*40	
G	Washer	32	Dia20mm	
H	Mat	4	19*19*2	