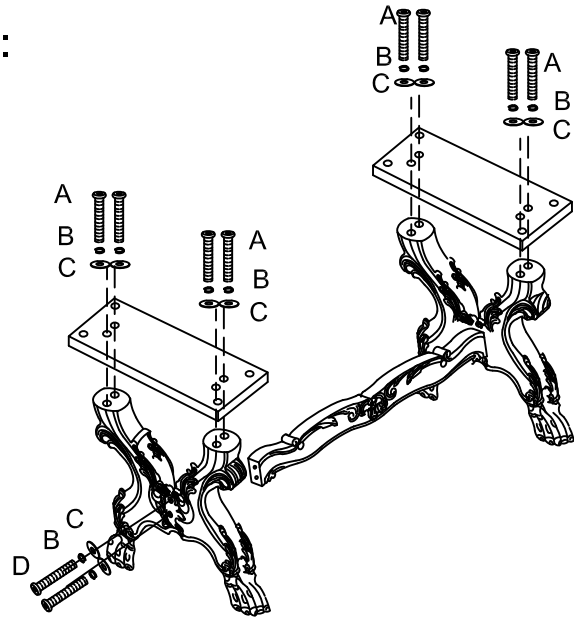
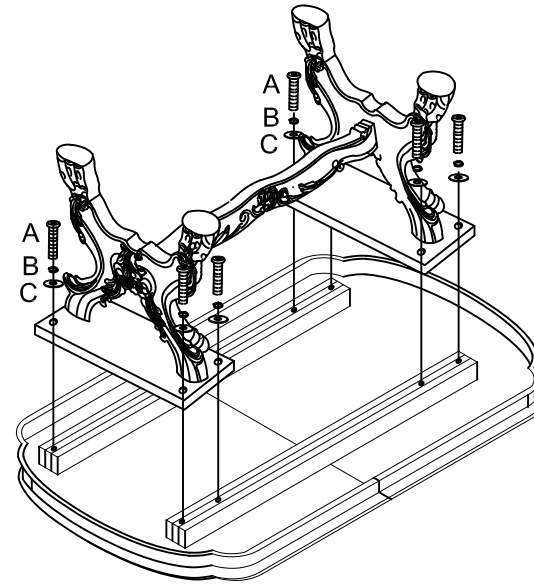


# ASSEMBLY INSTRUCTION

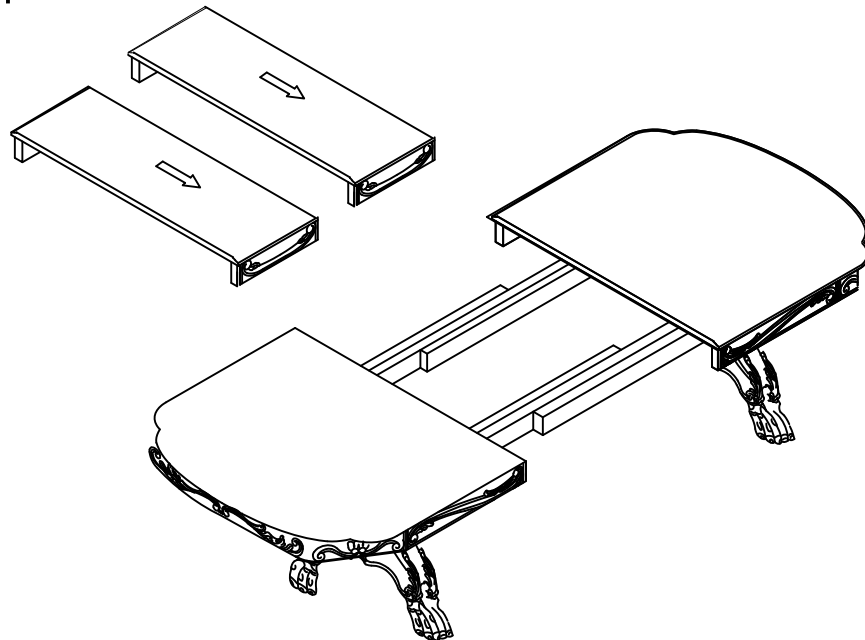
Step 1:



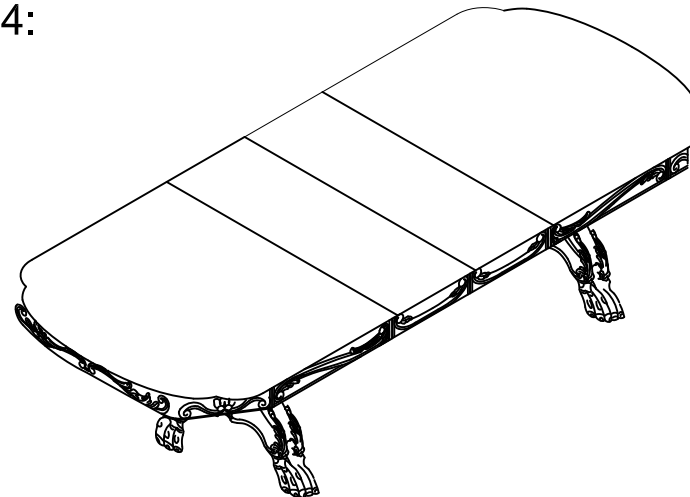
Step 2:



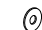




Step 3:



Step 4:



No.:	Description	Drawing	Size	Q' ty
A	Short Blot		Ø5/16"X2"	16
B	Lock Washer		Ø5/16"X12mm	20
C	Flat Washer		Ø5/16"X22mm	20
D	Short Blot		Ø5/16"X4"	4
E	Allen Wrench		5mm	1