

ASSEMBLY INSTRUCTION FOR ACME FURNITURE

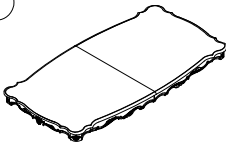
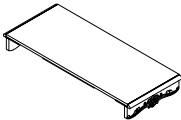
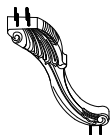

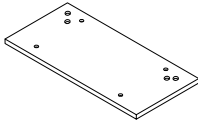
Model #67440T/ 67441ST

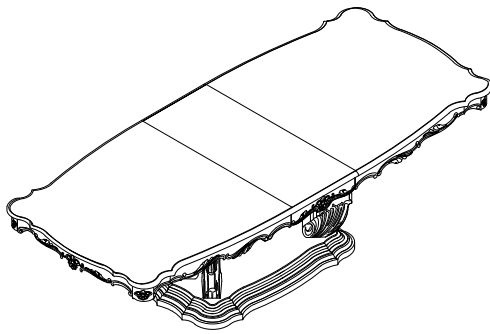
DESCRIPTION: DINING TABLE TOP/ BASE

Thank you for purchasing this quality product. Be sure to check all packing materials carefully for small parts, which may have come loose inside the carton during shipment. Identify and count all parts and compare with the parts list below.




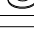

**** Do not fully tighten screws until fully assembled ****

PARTS LIST:

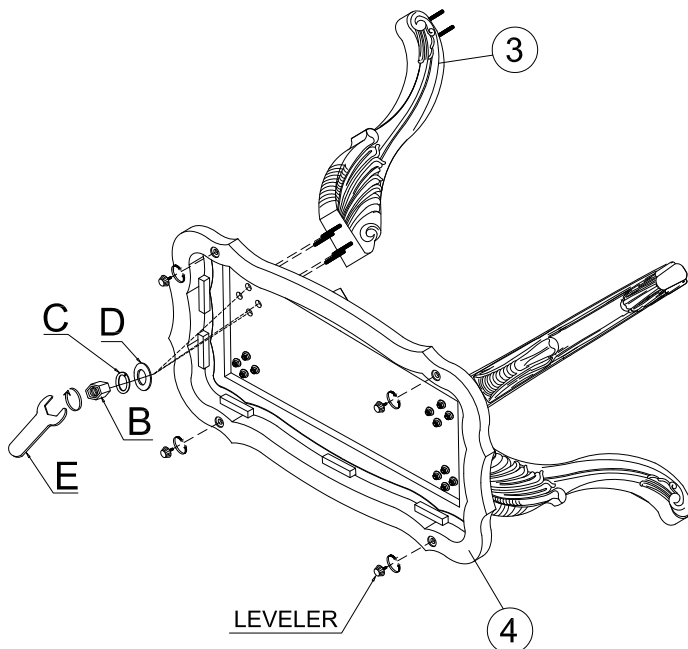
①		②		③		④		⑤	
TABLE TOP: 1PC		LEAF: 1PC		PEDESTAL: 4PCS		BASE: 1PC		MOUNTING PLATE BOTTOM: 2PCS	



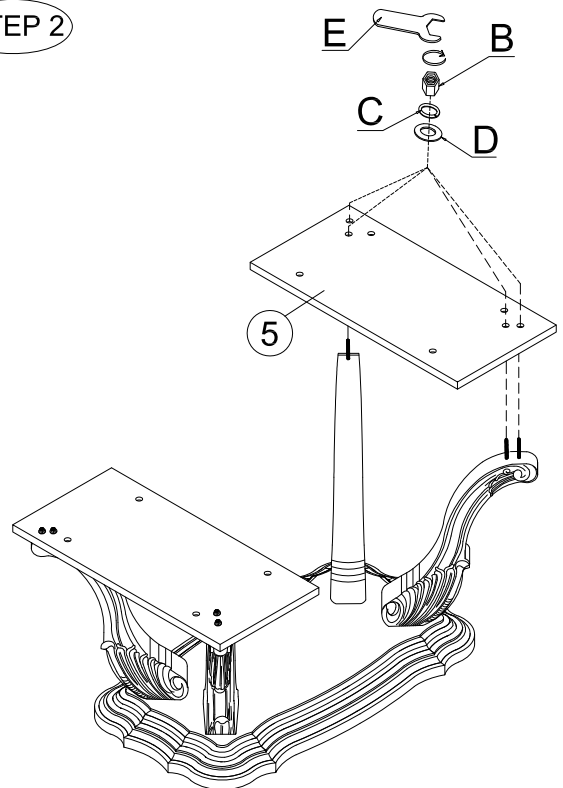
HARDWARE LIST

NO.	Drawing	Description	Q'ty
A		Bolt (Φ5/16"×2")	8pcs
B		Hex nut (Ø5/16")	24pcs
C		Spring washer (Ø5/16")	32pcs
D		Flat washer (Ø5/16"×23mm)	32pcs
E		Ø5/16" Wrench(12mm)	1pc

STEP 1



STEP 2



CLEANING INSTRUCTION

Clean the surface of the Dining Table with furniture polish and a soft cloth.

Attention

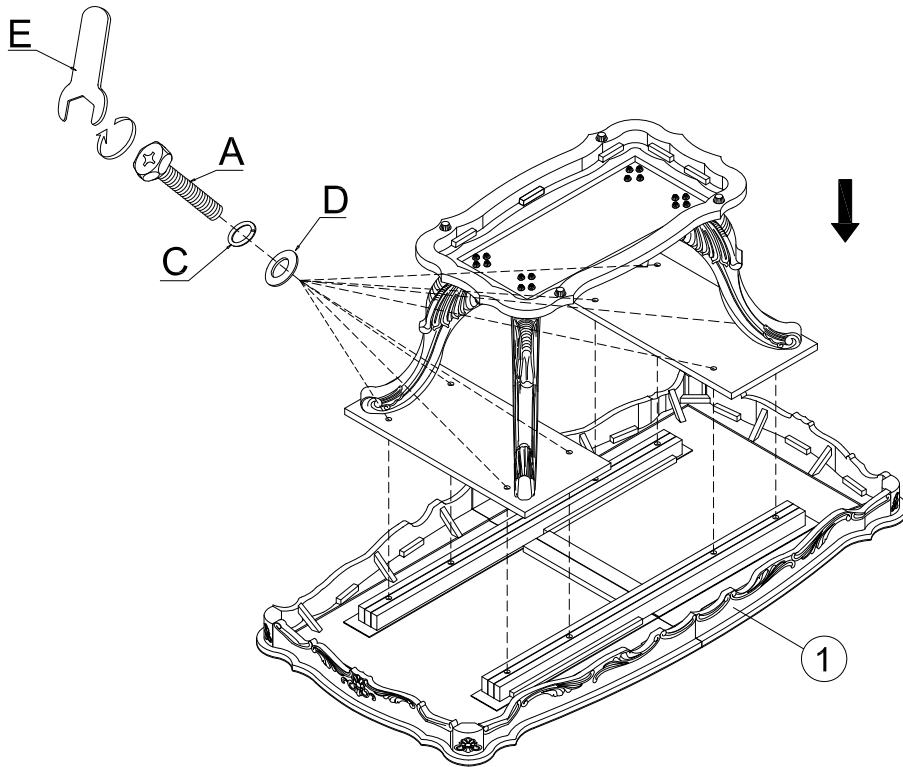
*** Some number parts listed on the instruction sheet may not be in parts bag as they may be assembled. Carefully check parts and packing materials prior to ordering replacements.***

ASSEMBLY INSTRUCTION FOR ACME FURNITURE

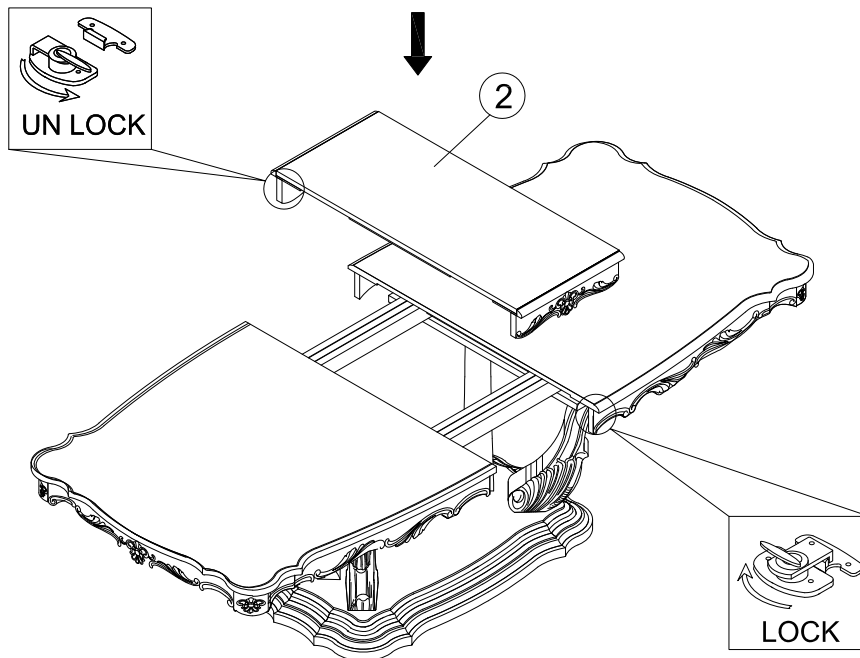
Model #67440T/ 67441ST

DESCRIPTION: DINING TABLE TOP/ BASE

STEP 3



STEP 4



CLEANING INSTRUCTION

Clean the surface of the Dining Table with furniture polish and a soft cloth.

Attention

*** Some number parts listed on the instruction sheet may not be in parts bag as they may be assembled. Carefully check parts and packing materials prior to ordering replacements.***