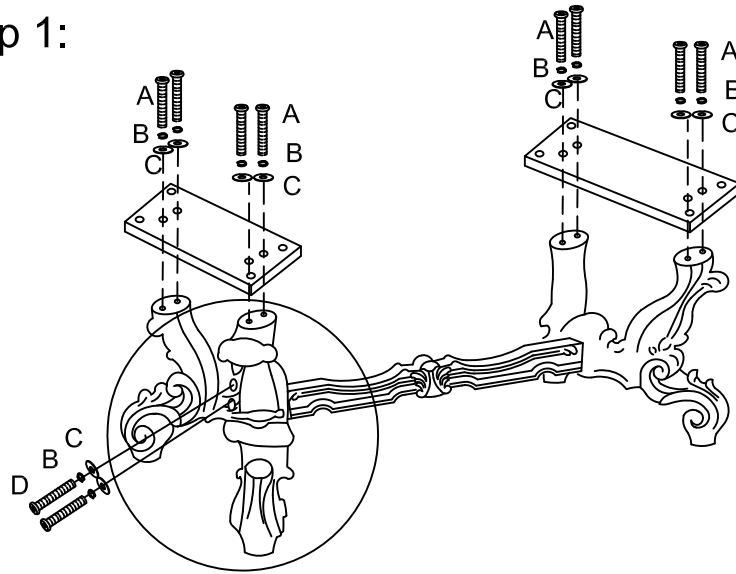
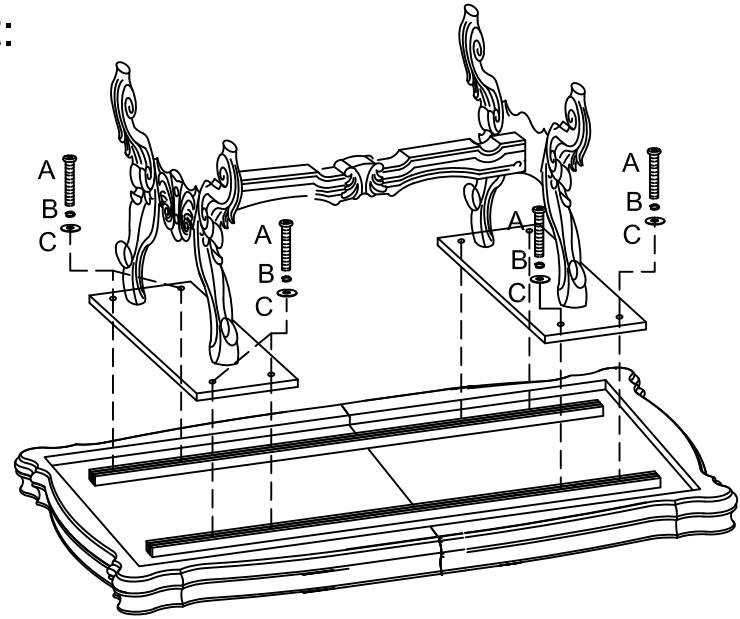


# ASSEMBLY INSTRUCTION

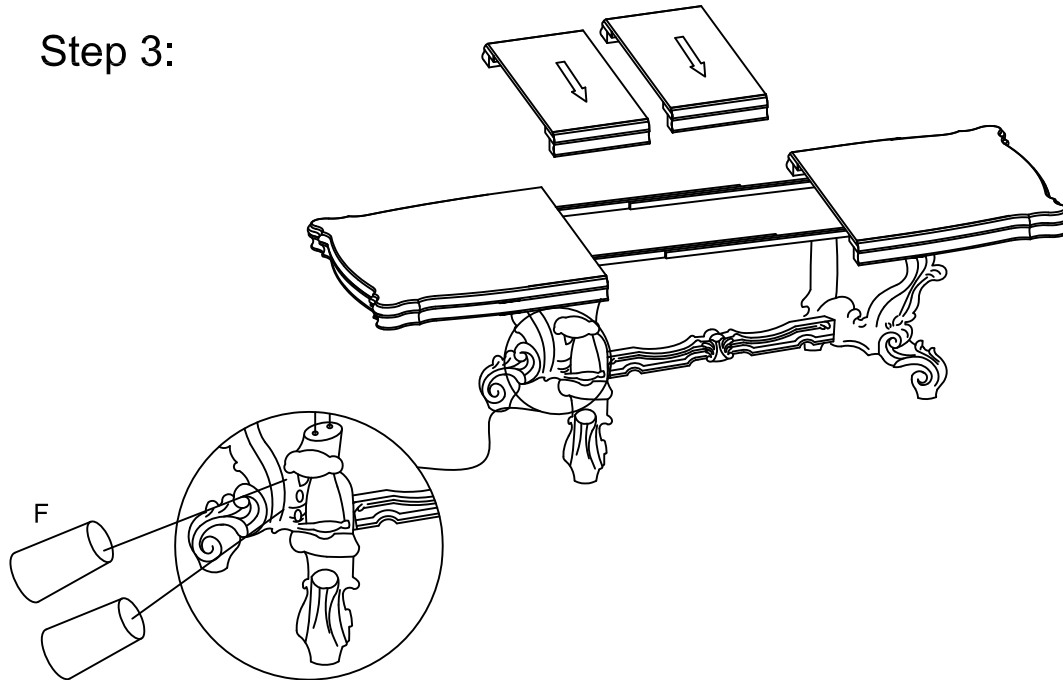
Step 1:



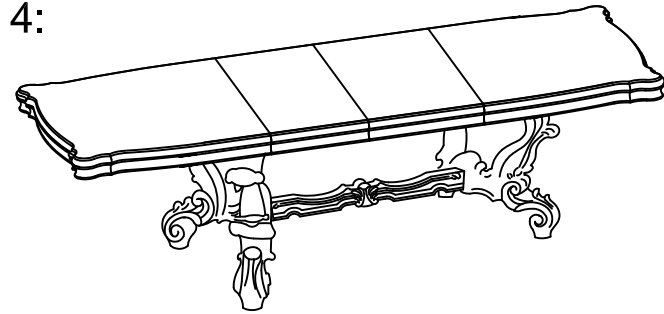
Step 2:






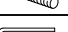
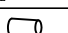

Step 3:



Step 4:



## Hardware List:

No.:	Description	Drawing	Size	Q' ty
A	Bolt		Ø5/16"X2"	16
B	Lock Washer		Ø5/16"X12mm	20
C	Flat Washer		Ø5/16"X22mm	20
D	Bolt		Ø5/16"X3-1/4"	4
E	Allen Wrench		5*95mm	1
F	bung		Ø22xØ27*45MML	4