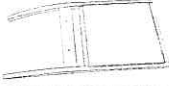




ASSEMBLY INSTRUCTION FOR ACME FURNITURE

MODEL 66103 (C 1707 RTA)

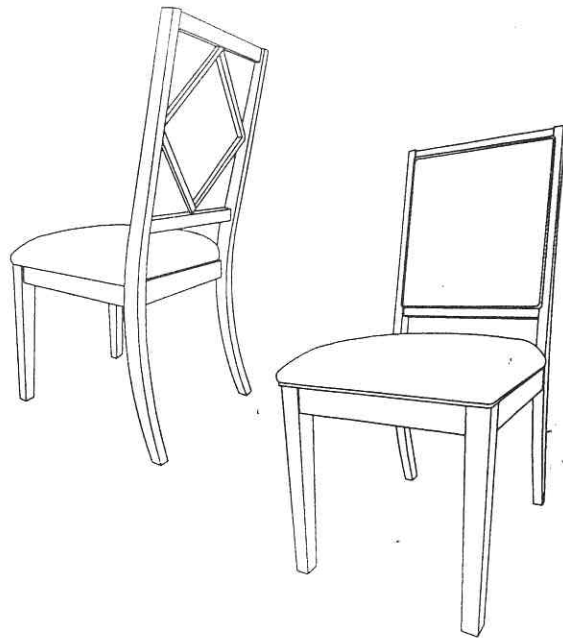
Thank you for purchasing this quality product. Be sure to check all packing material carefully for small parts, which may have come loose inside the carton during shipment. Separate, identify and count all parts and metal hardware. Compare with the part lists to be sure all parts are present. If any part(s) are missing or damaged, please contact your local furniture dealer. For efficient and speedy service, please indicate the model number and code letter of part(s) needed.

***** Do not fully tighten screw until fully assembled *****

COMPONENT PARTS		
DESCRIPTION	PARTS NAME	Q'TY (PCS)
①	CHAIR BACK 	1
②	SEAT 	1
③	FRONT LEG 	2

HARDWARES REQUIRED

- A**  Hex.bolt m6 x 80mm - 4 pc
- B**  Hex.bolt m6 x 60mm - 4 pc
- C**  Hex.bolt m6 x 40mm - 2 pc
- D**  Flat washer $\frac{1}{4}$ " x 18mm - 10 pc
- E**  Spring washer $\frac{1}{4}$ " - 10 pc
- F**  Spanner - 1 pc

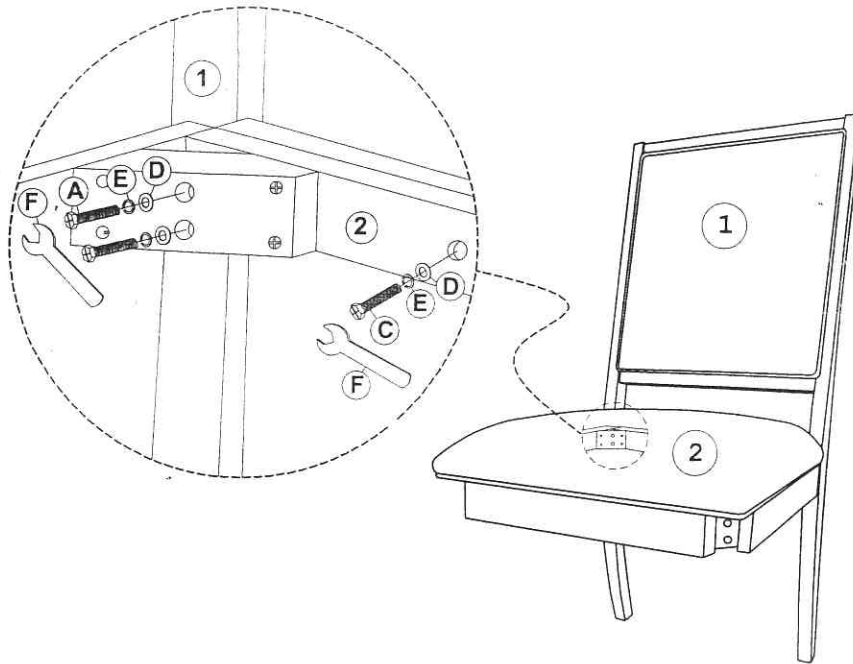


Attention:

*** Some number parts listed on the instruction sheet may not be in parts bag as they may already be assembled. Carefully check parts and packing material prior to ordering replacements.

How to assemble:

STEP 1:



STEP 2:

