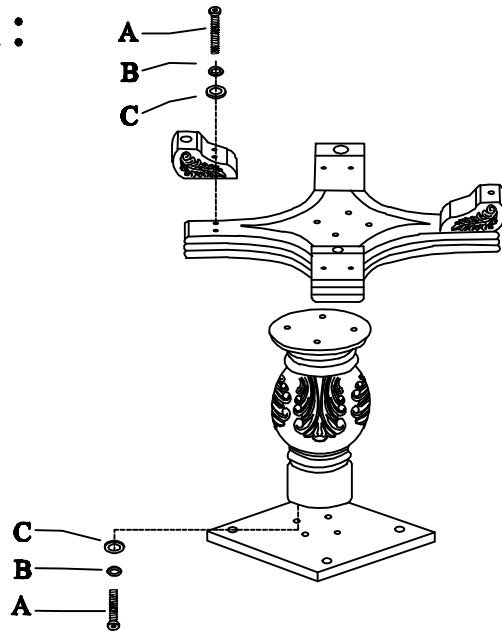


ASSEMBLY INSTRUCTION

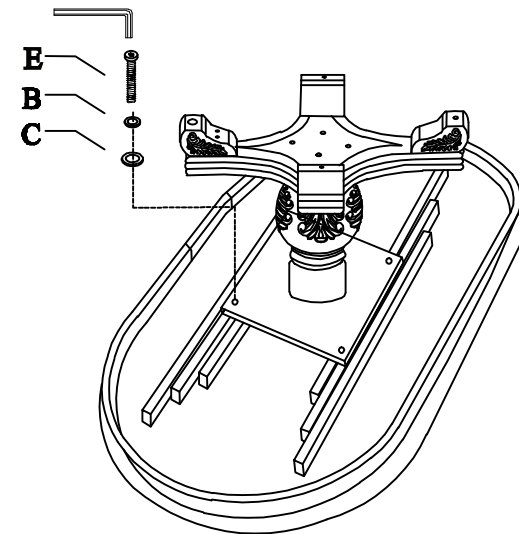
ITEM NO. : 64170-T/64171-BASE

ITEM NO. : 64175-T/64176-BASE

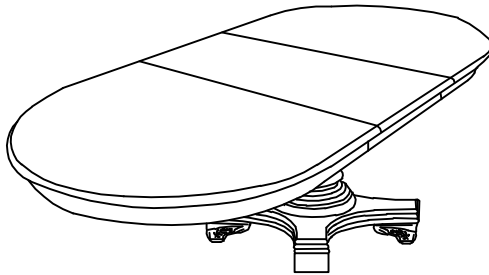
Step1:








Step2:



Finish:



Hardware List:

NO.	Description	Drawing	Size	Q'ty
A	Flat Head Bolt		ø5/16" * 2"	16
B	Lock Washer		ø5/16" * 12mm	20
C	Flat Washer		ø5/16" * 19mm	20
D	Allen Wrench		5mm	1
E	Flat Head Bolt		ø5/16" * 1-1/2"	4