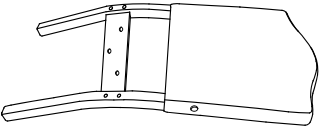
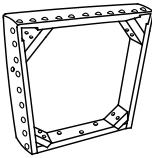

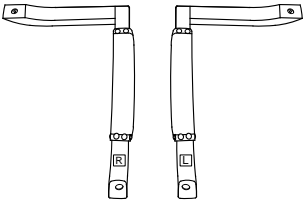


ASSEMBLY INSTRUCTION FOR ACME FURNITURE

MODEL# 62473 ARM CHAIR

Thank you for purchasing this quality product. Be sure to check all packing material carefully for small parts which may have come loose inside the carton during shipment. Separate, identify and count all parts and metal hardware. Compare with parts list to be sure all parts are present. If any part(s) are missing or damaged, please contact you local furniture dealer. For efficient and speedy service, please indicate the model number and code letter of part(s) needed.

***** Do not fully tighten screws until assemble *****

COMPONENT PARTS		
DECERPTION	PART NAME	QTY(PCS)
①	BACK FRAME <div style="text-align: center; margin-top: 10px;">  </div>	1
②	CUSHION SEAT WITH FRAME <div style="text-align: center; margin-top: 10px;">  </div>	1
③	FRONT LEG <div style="text-align: center; margin-top: 10px;">  </div>	2
④	ARM (LEFT & RIGHT) <div style="text-align: center; margin-top: 10px;">  </div>	2

HARDWARE REQUIRED:

- A

ALLEN BOLT M6 x 90mm - 4PCS
- B

ALLEN BOLT M6 x 70mm - 4PCS
- C

ALLEN BOLT M6 x 40mm - 5PCS
- D

ALLEN BOLT M6 x 50mm - 2PCS
(WITH SMALL WASHER)
- E

ALLEN KEY 4MM - 1PC

Attention:

***Mattreses not inuded.

***Some number parts instead on instruction sheet may not be in parts bag as they may already be assembled. Carefully check parts and packing materials prior to ordering replacements.

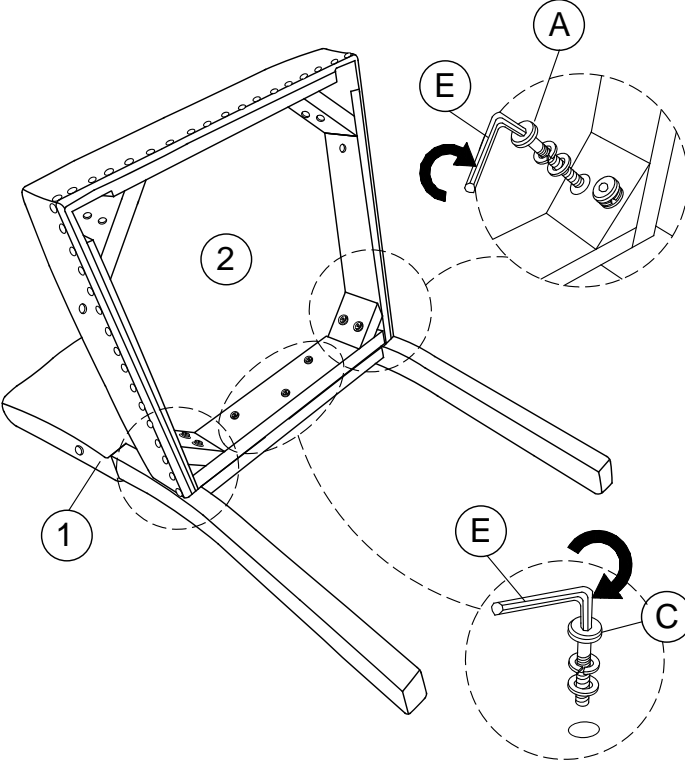
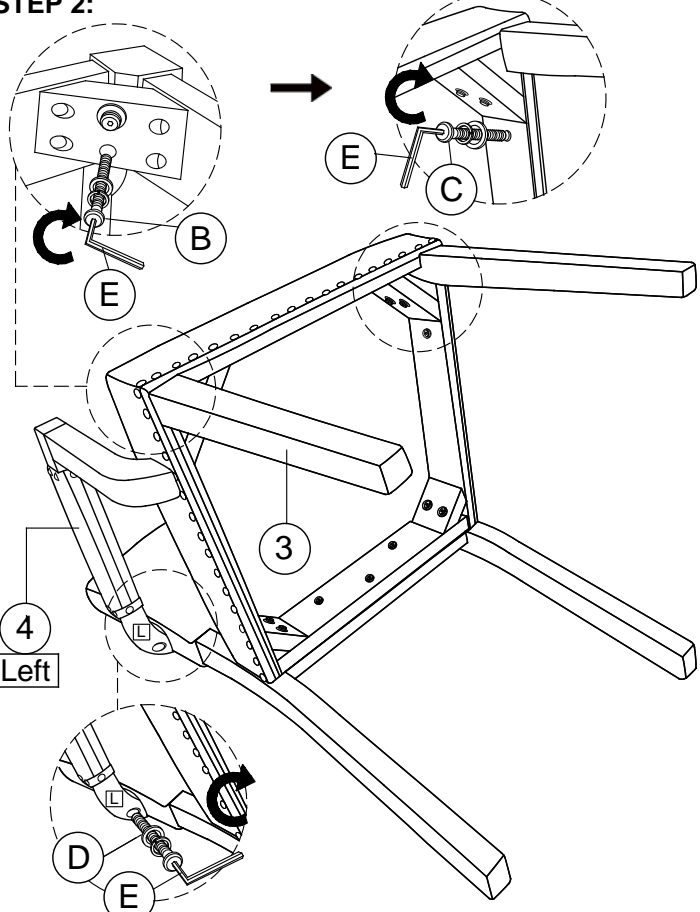
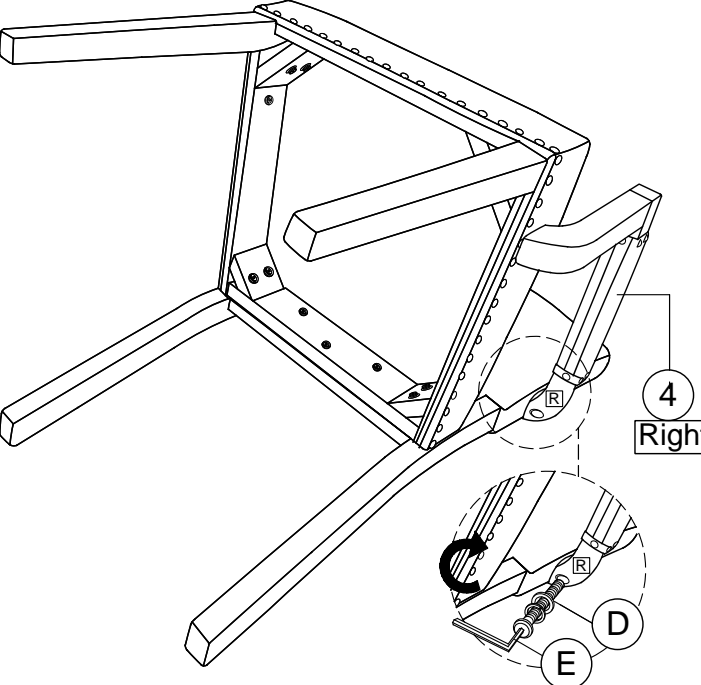
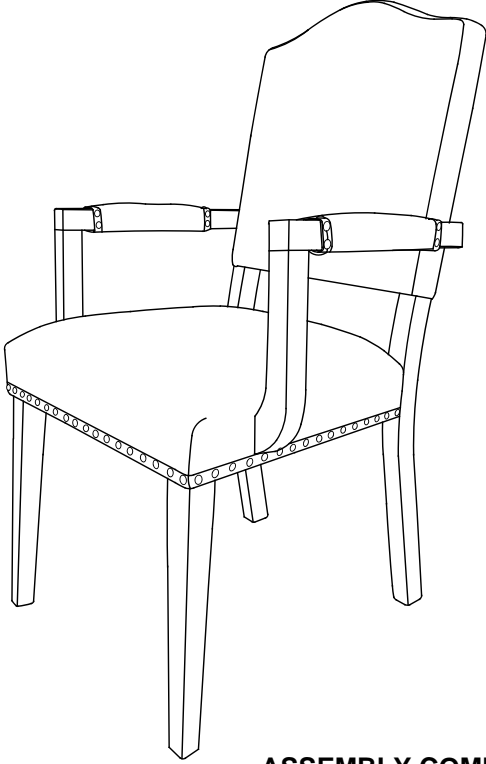
ASSEMBLY INSTRUCTION FOR ACME FURNITURE

MODEL# 62473 ARM CHAIR

Thank you for purchasing this quality product. Be sure to check all packing material carefully for small parts which may have come loose inside the carton during shipment. Separate, identify and count all parts and metal hardware. Compare with parts list to be sure all parts are present. If any part(s) are missing or damaged, please contact your local furniture dealer. For efficient and speedy service, please indicate the model number and code letter of part(s) needed.

*** Do not fully tighten screws until assemble ***

How to Assemble:

<p>STEP 1:</p> 	<p>STEP 2:</p> 
<p>STEP 3:</p> 	<p>STEP 4:</p>  <p>ASSEMBLY COMPLETED!</p>