




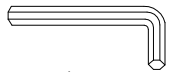
ASSEMBLY INSTRUCTIONS

MODEL:60830 DINING TABLE

Thank you for purchasing quantity product. Be sure to check all packing material carefully for small parts which may have come loose inside the carton during the shipment. Count all parts and metal hardware, compare the parts list below to be sure all parts are present.

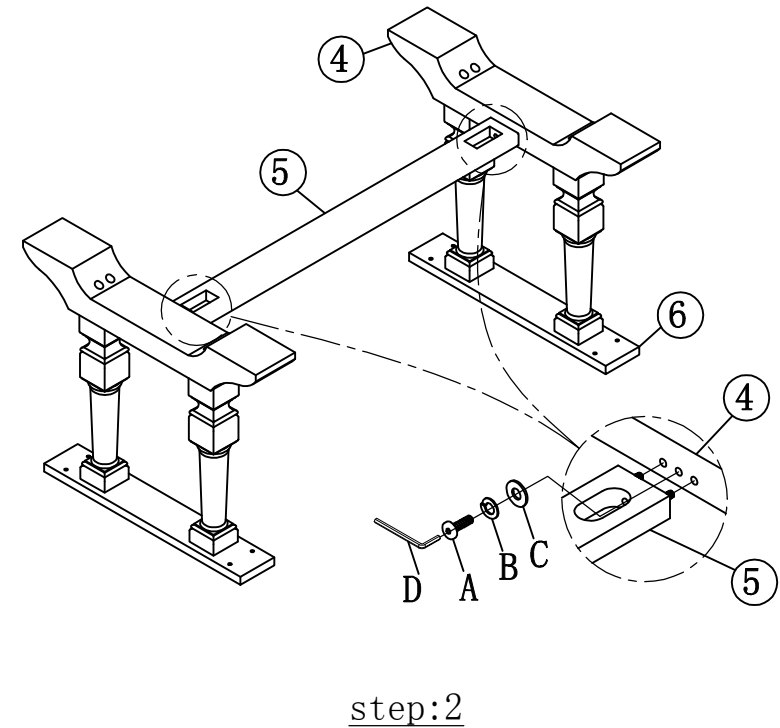
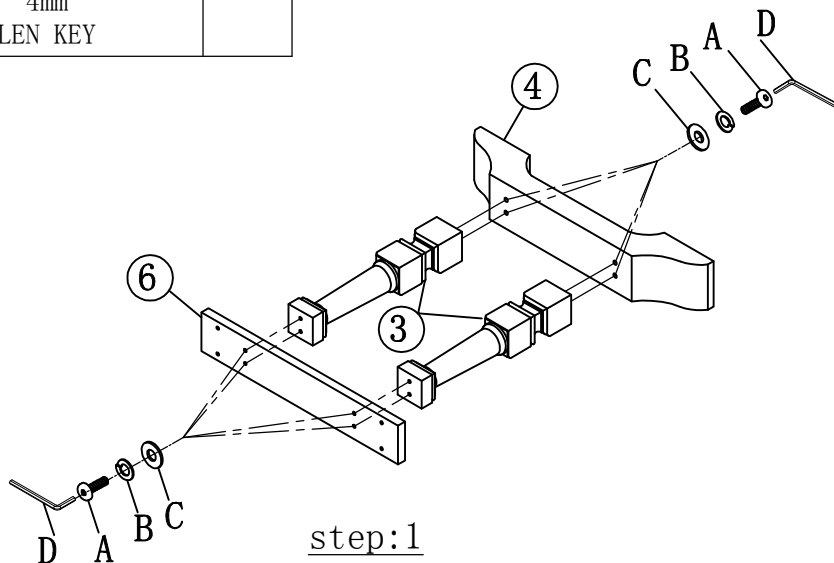
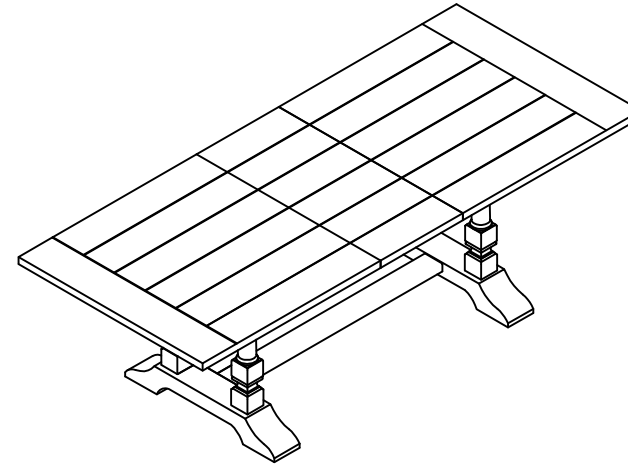
NOTE:HARDWARE AND QUANTIYT SHOWN BELOW ARE FOR 1 UNIT ASSEMBLY

HARDWARE

CODE	DESCRIPTION	QTY
A	 φ5/16"*60mm BOLT	26X
B	 φ5/16" LOCK WASHER	26X
C	 φ5/16" FLAT WASHER	26X
D	 4mm ALLEN KEY	1X

PART LIST

CODE	DESCRIPTION	QTY
1	TABLE TOP	1PC
2	CENTER TABLE TOP	1PC
3	TABLE SURPPORT LEG	4PCS
4	FOOT BASE	2PCS
5	STRETCHER	1PC
6	SURPPORT	2PCS



ASSEMBLY INSTRUCTIONS

MODEL:60830 DINING TABLE

Thank you for purchasing quantity product. Be sure to check all packing material carefully for small parts which may have come loose inside the carton during the shipment. Count all parts and metal hardware, compare the parts list below to be sure all parts are present.

NOTE:HARDWARE AND QUANTIYT SHOWN BELOW ARE FOR 1 UNIT ASSEMBLY

