




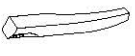

ASSEMBLY INSTRUCTION






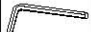

ITEM NO.:60683

Thank you for purchasing this quality product. Be sure to check all packing material carefully for small parts, which may have come loose inside the carton during shipment. Identify and count all parts and compare with the parts list below.

Notes:

- 1: Estimated assembled time 20 minutes.
- 2: Do not tighten bolts until completely assembled.
- 3: Notes: Please ensure to tighten bolts on a flat and level surface.

PARTS LIST			
1		BACK	1PC
2		SEAT	1PC
3		LEFT LEG	1PC
4		RIGHT LEG	1PC
5		SIDE RAIL	2PCS

HARDWARE LIST			
A		WASHER ($\varnothing 5/16'' \times 19\text{mm}$)	10PCS
B		LOCK WASHER ($\varnothing 5/16''$)	10PCS
C		BOLT ($\varnothing 5/16'' \times 2'' \text{L}$)	4PCS
D		BOLT ($\varnothing 5/16'' \times 3'' \text{L}$)	4PCS
E		BOLT ($\varnothing 5/16'' \times 1-1/2'' \text{L}$)	2PCS
F		ALLEN KEY (5mm)	1PC
G		SCREW (8# $\times 1-1/2'' \text{L}$)	4PCS

ASSEMBLY INSTRUCTION

ITEM NO.:60683

