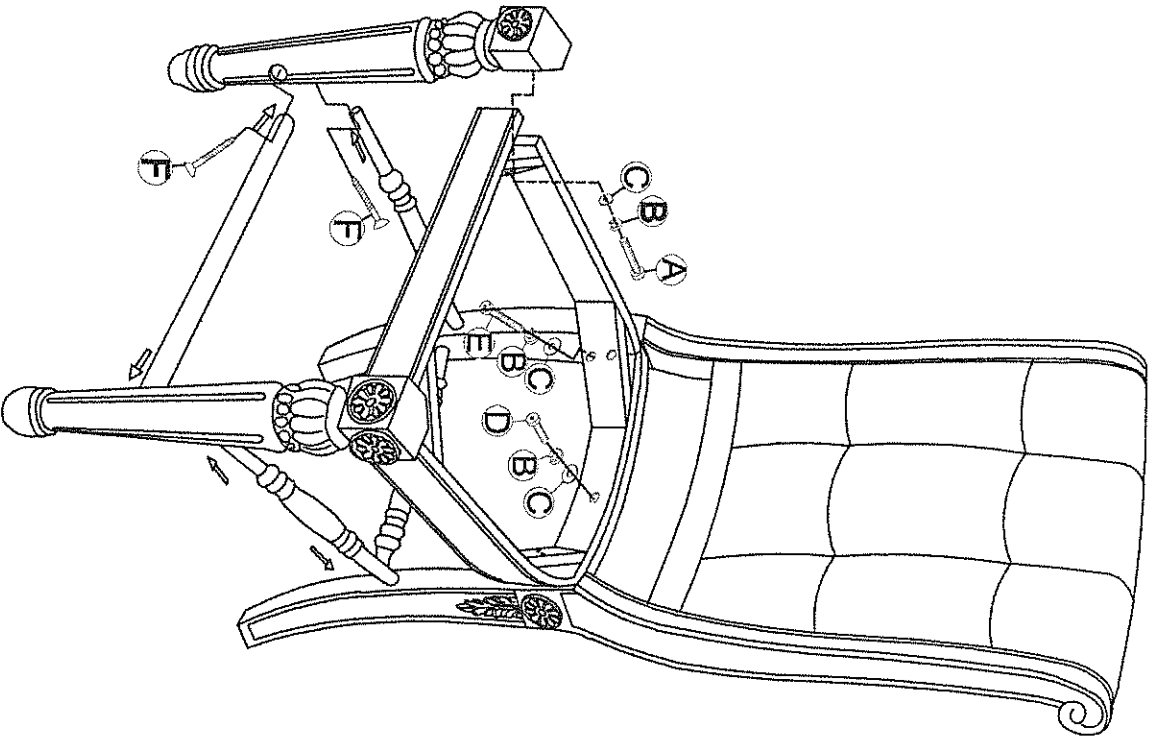
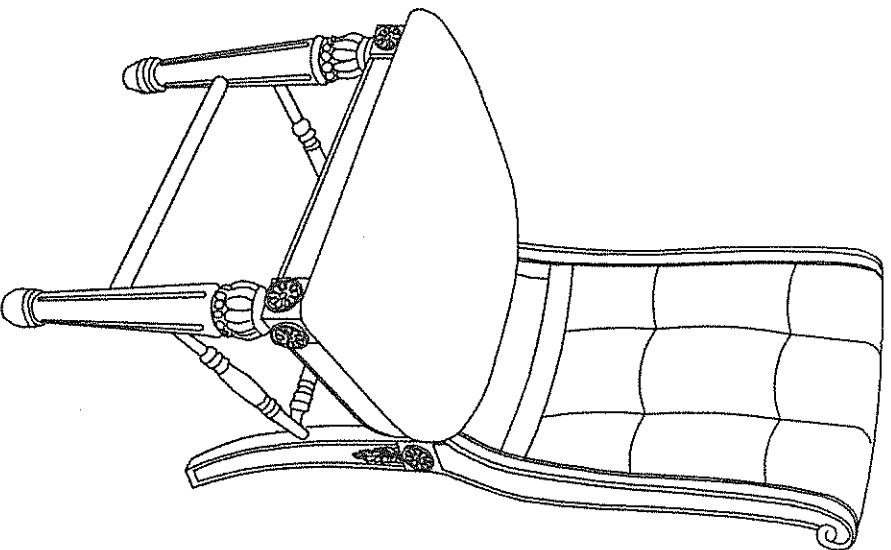


# ASSEMBLY INSTRUCTION

Step 1:



Finish :



## Hardware List:

No.:	Description	Drawing	Size	Q'ty
A	Middle Bolt		Ø5/16" X2-1/4"	4
B	Lock Washer		Ø5/16" X12mm	9
C	Flat Washer		Ø5/16" X22mm	9
D	Short Bolt		Ø5/16" X1-3/4"	1
E	Long Bolt		Ø5/16" X3-1/2"	4
F	Wood Screw		Ø8 X 1-1/4"	6
G	Allen Wrench		5mm	1