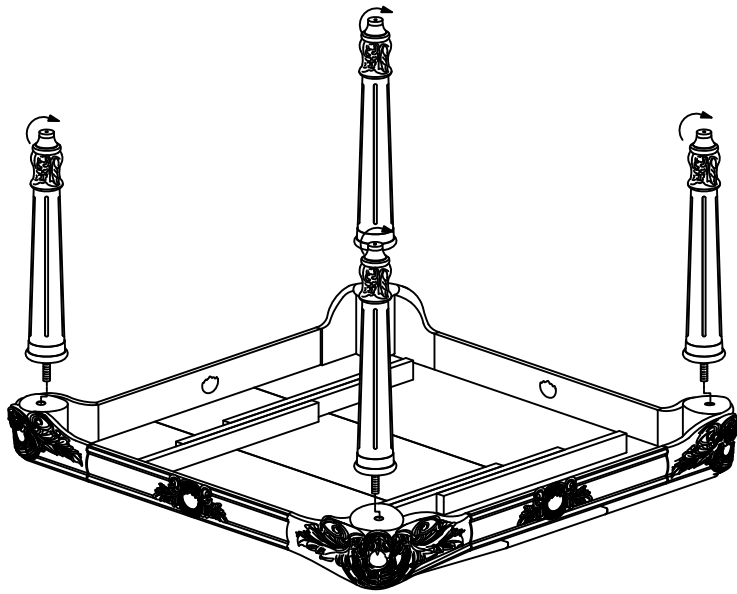


ASSEMBLY

INSTRUCTION

Step 1:



Finish :

