

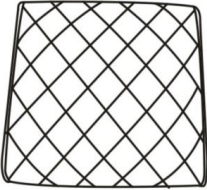
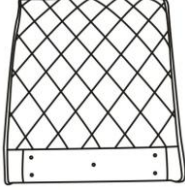
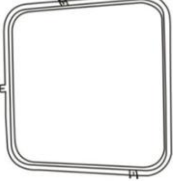
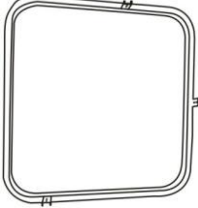
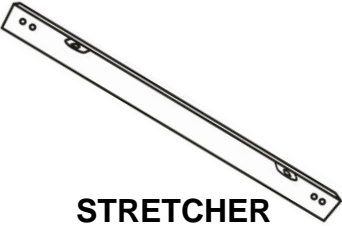
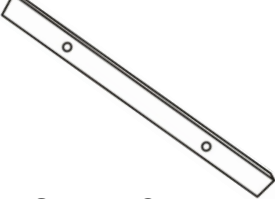








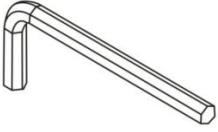

**ITEM NO. 59812**

**59813**

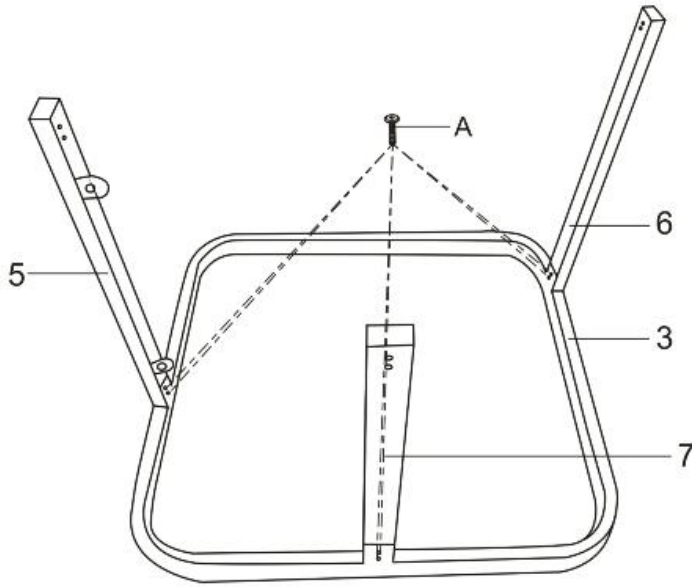
**ACCENT CHAIR**



**ASSEMBLY INSTRUCTIONS**

<p>1</p>  <p><b>BACK CUSHION</b> 1PC</p>	<p>2</p>  <p><b>SEAT</b> 1PC</p>	<p>3</p>  <p><b>RIGHT SIDE PANEL</b> 1PC</p>	<p>4</p>  <p><b>LEFT SIDE PANEL</b> 1PC</p>
<p>5</p>  <p><b>STRETCHER</b> 1PC</p>	<p>6</p>  <p><b>STRETCHER</b> 1PC</p>	<p>7</p>  <p><b>STRETCHER</b> 1PC</p>	<p>A</p>  <p><b>BOLT</b> 6PCS</p>
<p>B</p>  <p><b>BOLT</b> 2PCS</p>	<p>C</p>  <p><b>BOLT</b> 2PCS</p>	<p>H</p>  <p><b>BOLT</b> 5PCS</p>	<p>E</p>  <p><b>SPRING WASHER</b> 5PCS</p>
<p>F</p>  <p><b>WASHER</b> 5PCS</p>	<p>G</p>  <p><b>CAP</b> 2PCS</p>	<p>I</p>  <p><b>ALLEN WRENCH</b> 1PC</p>	<p>I</p>  <p><b>ALLEN WRENCH</b> 1PC</p>

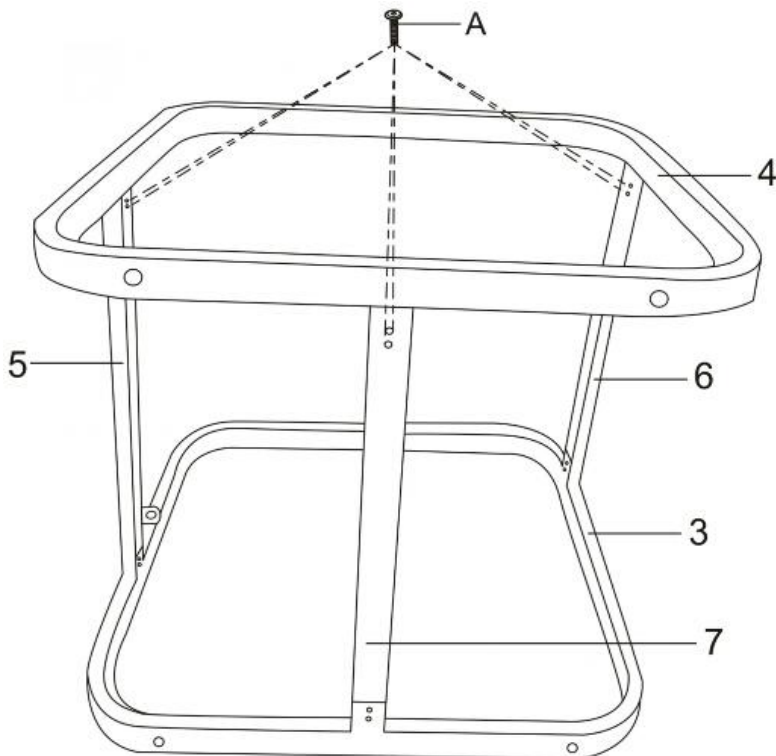
## STEP 1



\*Please put all parts on a soft surface to prevent scratches.

Attach stretchers (5,6,7) to right side panel (3) by using bolts (A) as shown.

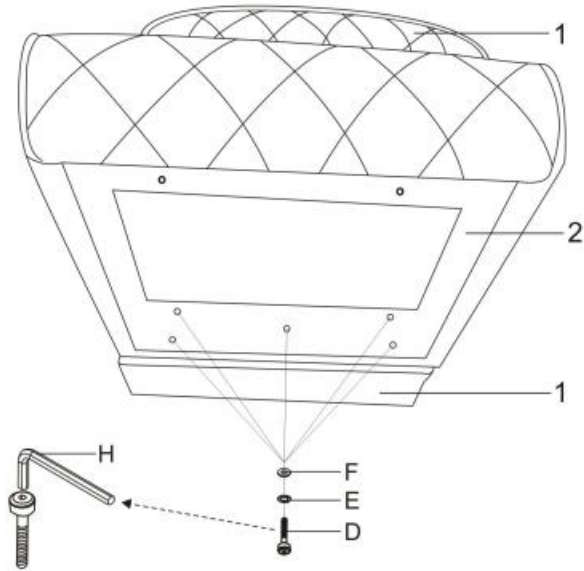
## STEP 2



Attach left side panel (4) to the assembled unit by bolt (A) as shown.

Tighten all bolts firmly.

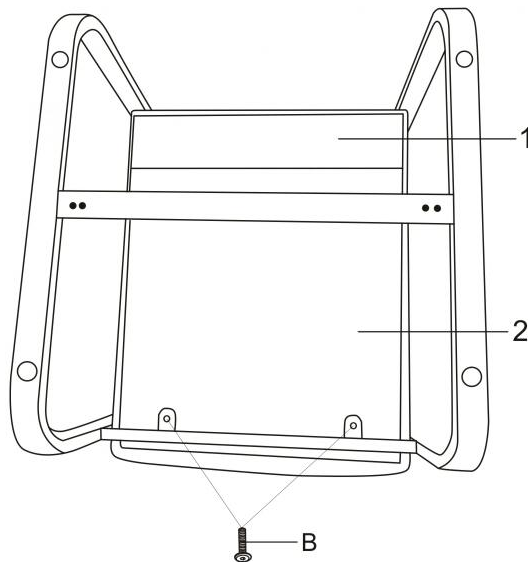
### STEP 3



Attach seat (2) to back cushion (1) by using washer (F), spring washer (E), bolt (D) and allen wrench (H) as shown.

Tighten all bolts firmly.

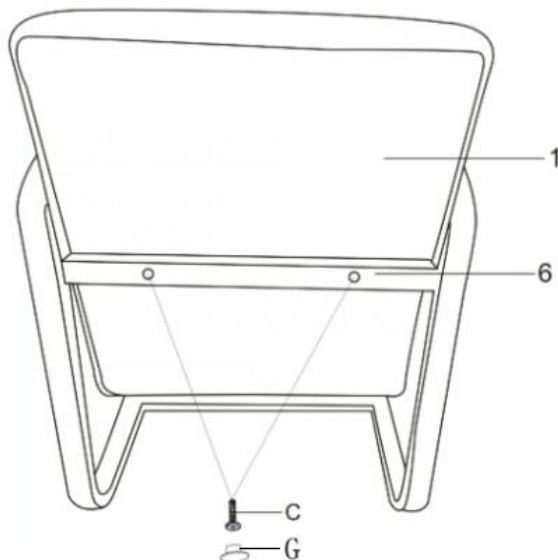
### STEP 4



Attach the assembled seat unit to the assembled base by using bolts (B).

Tighten all bolts firmly.

### STEP 5



Tighten back cushion (1) to the assembled base by using bolts (C) and caps (G) as shown.

Your chair is now completed.