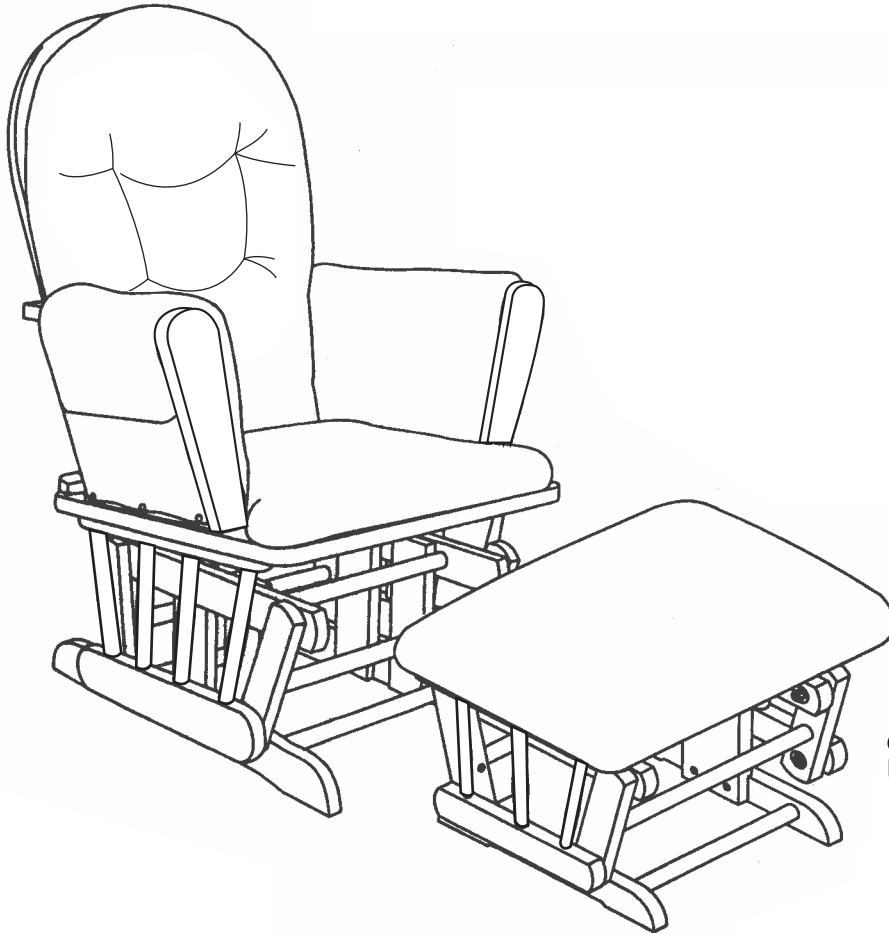



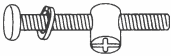

# ASSEMBLY INSTRUCTIONS

## ITEM NO:59332

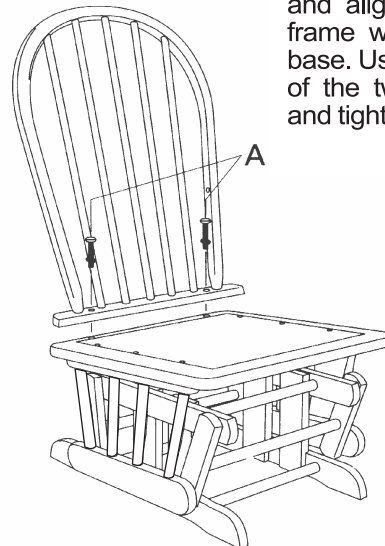


Ottoman Requires  
No Assembly

### HARDWARE LIST

PART	PART#	QTY
	A	6
	B	2
	C	1

### STEP 1



Place the back frame on the base and align the holes in the back frame with the holes on the base. Use the screw A in each of the two holes as shown and tighten with allen key C.

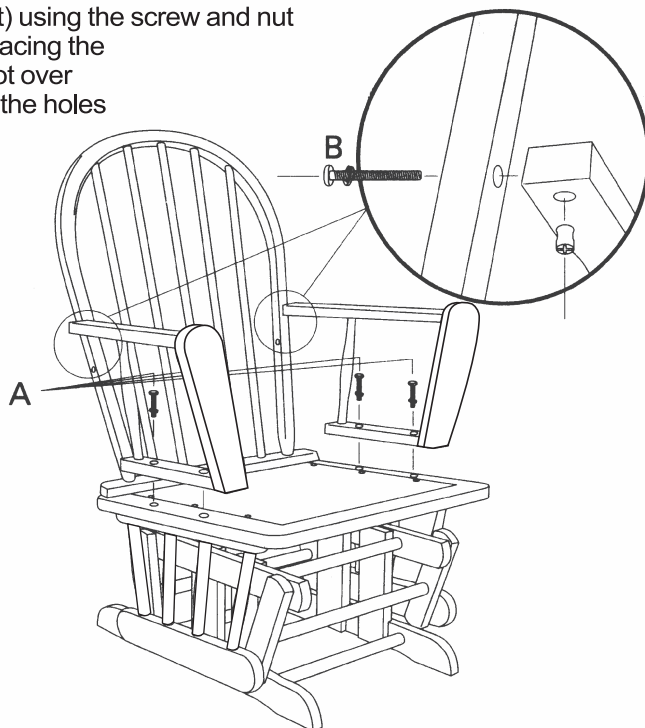
## STEP 2

2-1 : Attach the left armrest to the back frame (round part facing front) using the screw and nut B by placing the nut underneath armrest as per diagram and placing the screw through the hole and tighten using the allen key C. Do not over tighten as the holes on the bottom of the armrest nut align with the holes on the base.

2-2 : Use screw A to attach the armrest to the base by placing them in the two holes as shown and tighten using allen key C.

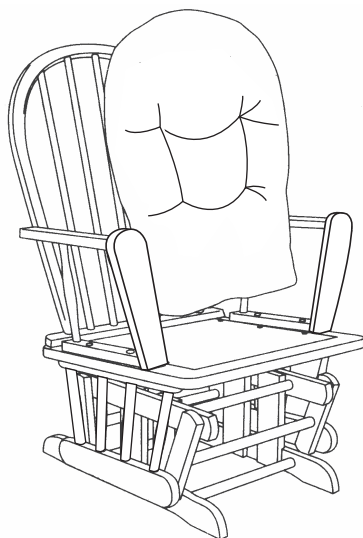
2-3 : Check to make sure all screw are tight.

2-4 : Repeat Steps 2-1 , 2-2 & 2-3 for the right armrest.



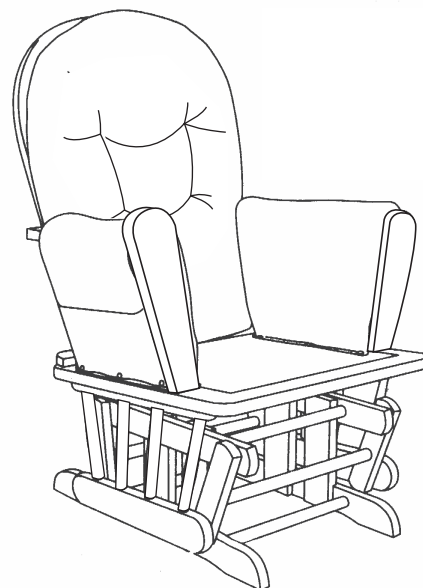
## STEP 3

Attach the back cushion to the back frame.



## STEP 4

Attach the armrest cushions to the armrest by buttoning the buttons along the interior seat and on the sides.



## STEP 5

Attach the seat cushion.

