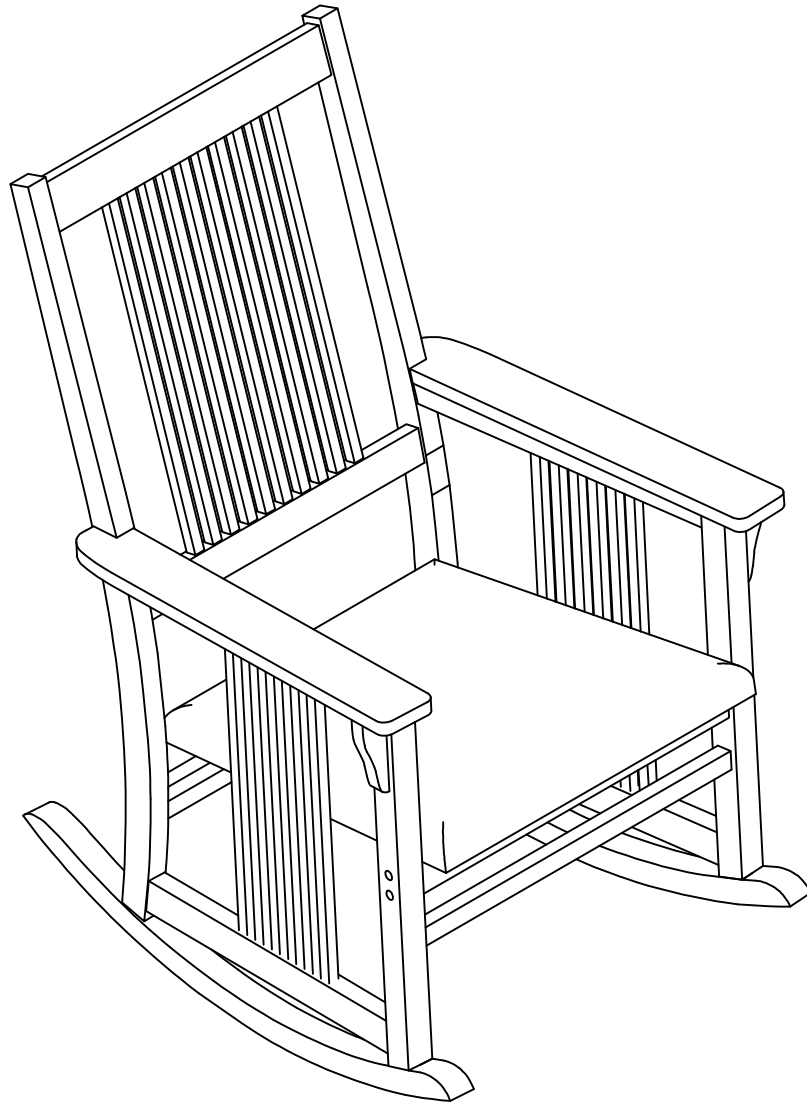


59214

ROCKING CHAIR



ASSEMBLY INSTRUCTION


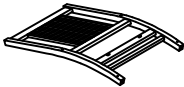



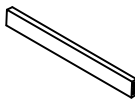
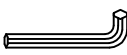
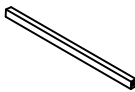

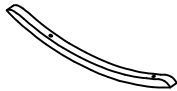
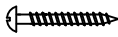
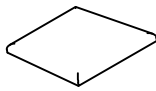
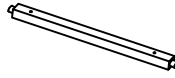
ASSEMBLY TIPS :

- 1 . Remove hardware from box and sort by size .
- 2 . Please check to see that all hardware and parts are present prior start of assembly .
- 3 . Please follow attached instructions in the same sequense as numbered to assure fast & easy assembly .

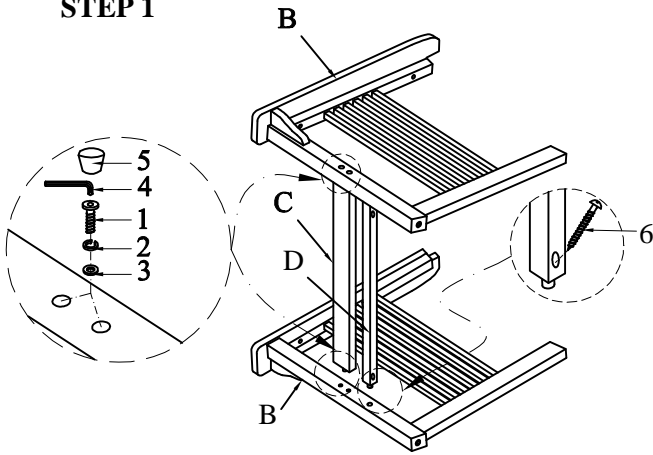


Warning !

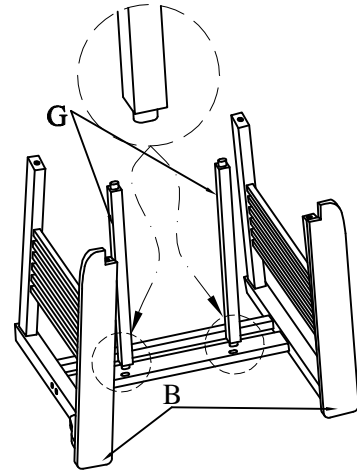
- 1 . Don't attempt to repair or modify parts that are broken or defective . Please contact the store immediately .
- 2 . This product is for home use only and not intended for commercial establishment .

HARDWARE LIST				PARTS IDENTIFICATION			
1	Ø 1/4" x50mm		12PCS	A	CHAIR BACK		1PCS
2	Ø 1/4" x10.5mm		12PCS	B	SIDE FRAME (LEFT &RIGHT)		2PCS
3	Ø 1/4" x12.5mm		12PCS	C	FRONT RAIL		1PC
4	M4		1PC	D	FRONT STRETCHER		1PC
5	Ø 13.5mm x8mm		8PCS	E	BOTTOM LEG		2PCS
6	M4 x35mm		6PCS	F	SEAT		1PC
				G	SUPPORT SEAT		2PCS

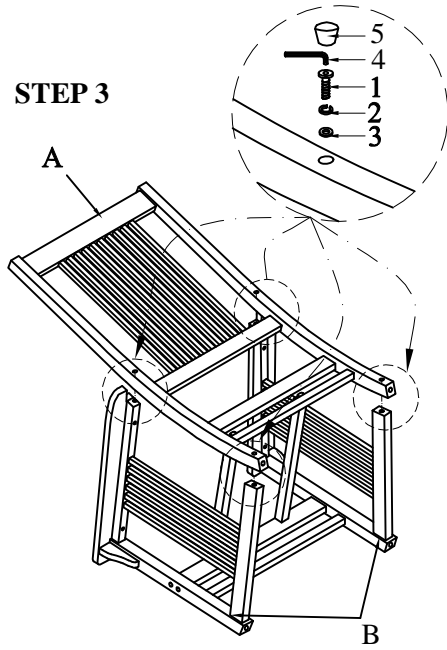
STEP 1



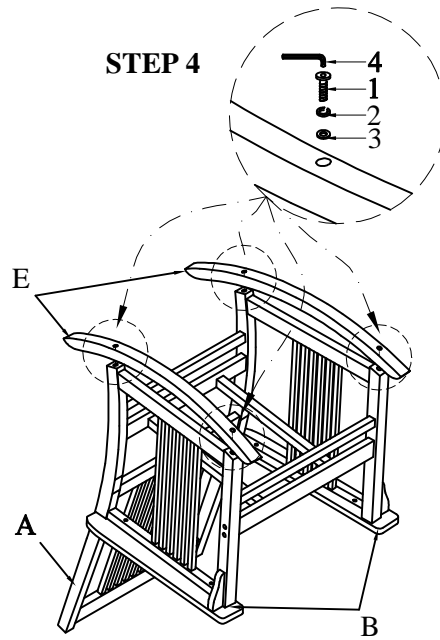
STEP 2



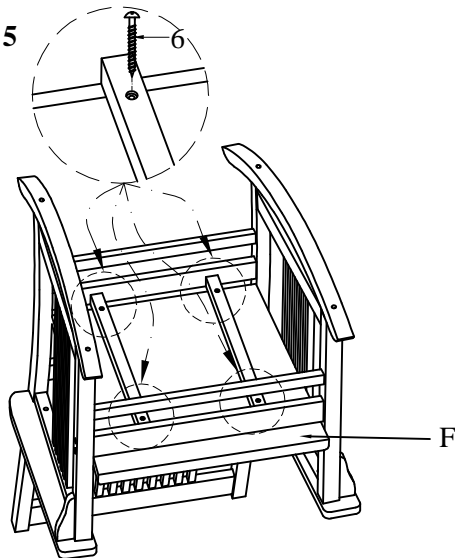
STEP 3



STEP 4



STEP 5



STEP 6

