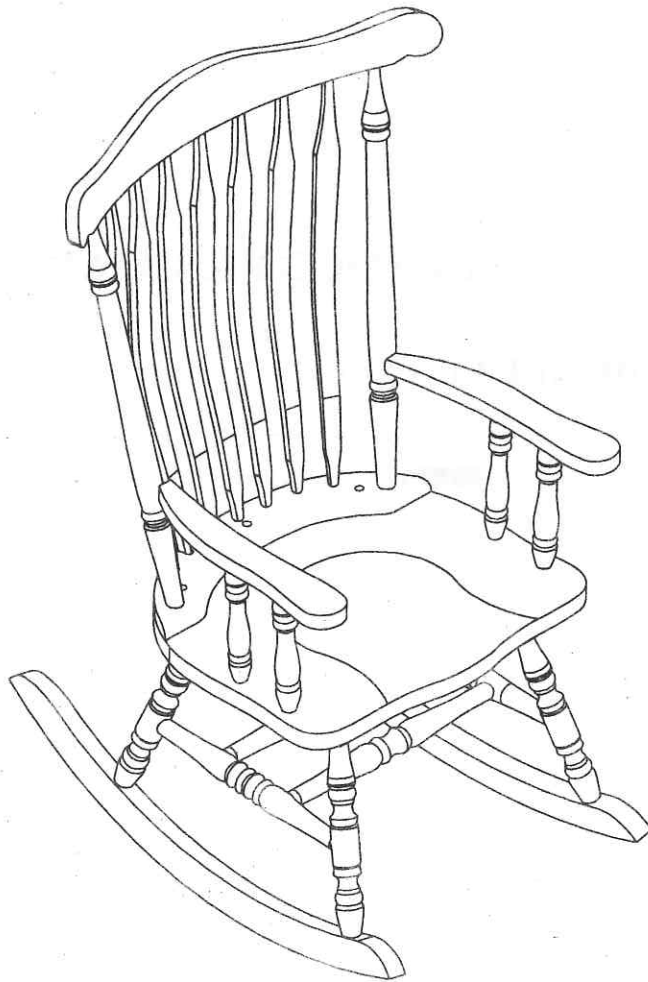


59211

ROCKING CHAIR



ASSEMBLY INSTRUCTION

ASSEMBLY TIPS :












- 1 . Remove hardware from box and sort by size .
- 2 . Please check to see that all hardware and parts are present prior start of assembly .
- 3 . Please follow attached instructions in the same sequense as numbered to assure fast & easy assembly .



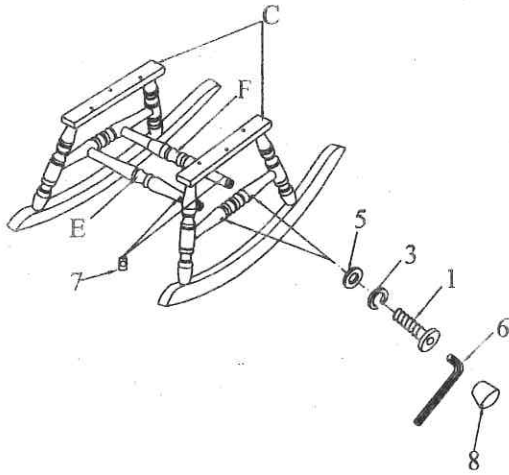
Warning !

- 1 . Don't attempt to repair or modify parts that are broken or defective . Please contact the store immediately .
- 2 . This product is for home use only and not intended for commercial establishment .

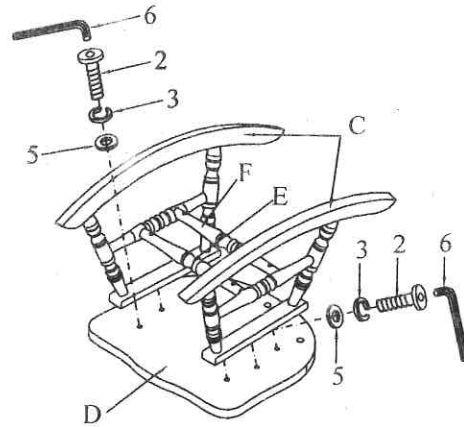
1510 ROCKER CHAIR

HARDWARE LIST				PARTS IDENTIFICATION			
1	Ø 1/4"X60mm		8PCS	A	CHAIR BACK		1PCS
2	Ø 1/4"X32mm		9PCS				
3	Ø 1/4"X10.5mm		17PCS	C	LEG (LEFT&RIGHT)		2PCS
4	Ø 1/4"X19mm		2PCS				
5	Ø 1/4"X12.5mm		15PCS	E	FONT BAR(LONG)		1PCS
6	M4		1PCS				
7	Ø 1/4"X13mm		6PCS				
8	Ø 13.5mmX6mm		9PCS				

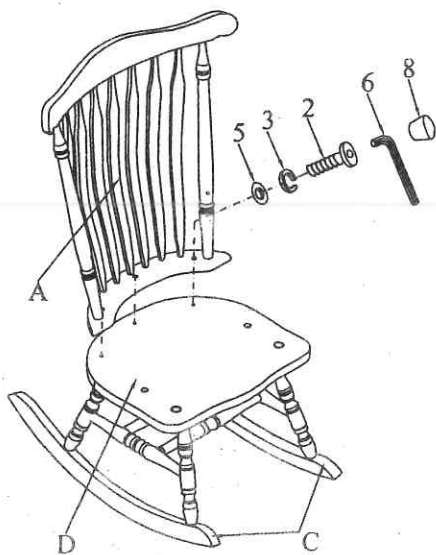
STEP 1



STEP 2



STEP 3



STEP 4

