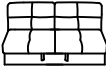
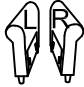








ACME FURNITURE INDUSTRY INC

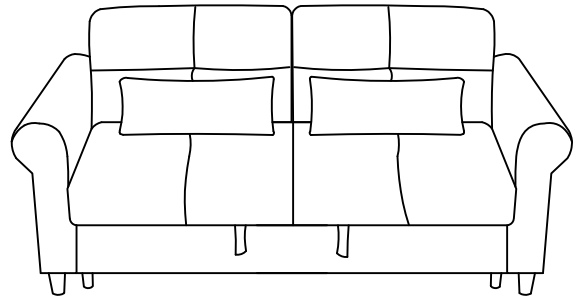
ASSEMBLY INSTRUCTIONS 55565

Thank you for purchasing this quality product. Be sure to check all packing materials carefully for small parts which may have come loose inside the carton during shipment. Identify and count all parts and compare with the parts list below.

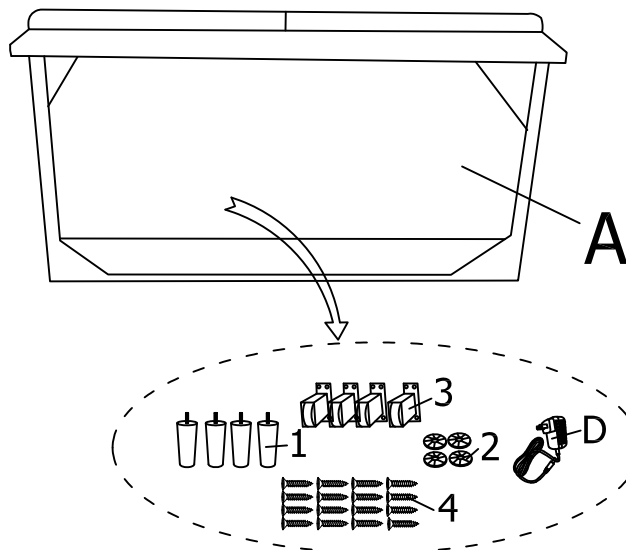
**Assemble product on a flat, soft surface such as a carpet or cloth to prevent scratching the finish. Read all instruction and study the drawings carefully before starting the assembly process.

Parts List			Qty
A		SOFA	1pc
B		ARM	2pcs
C		Pillow	2pcs
D		USB	1pc

HARDWARE LIST			
1		4-1/3"	4pcs
2		Flat Washer	4pcs
3		4-1/3"	4pcs
4		1/5"x1"	16pcs



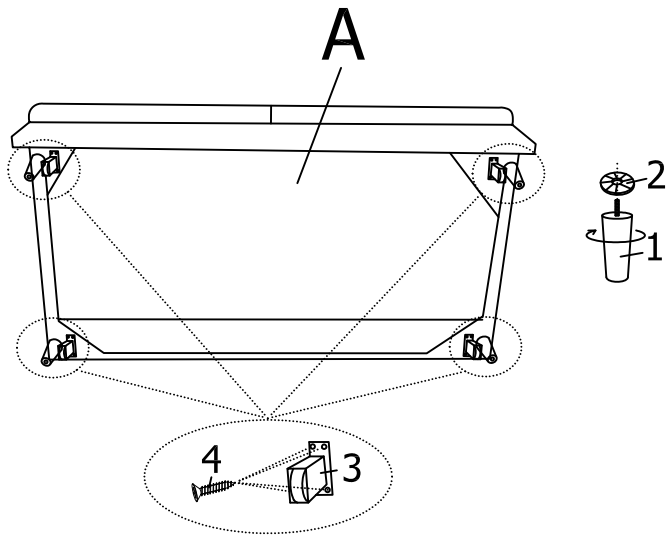
step1



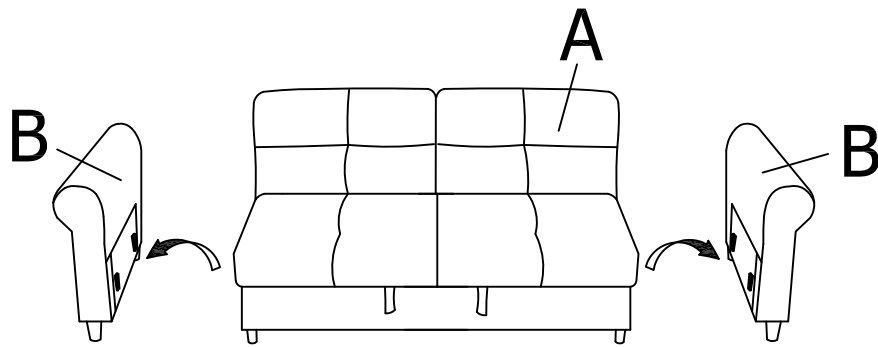
ACME FURNITURE INDUSTRY INC

ASSEMBLY INSTRUCTIONS 55565

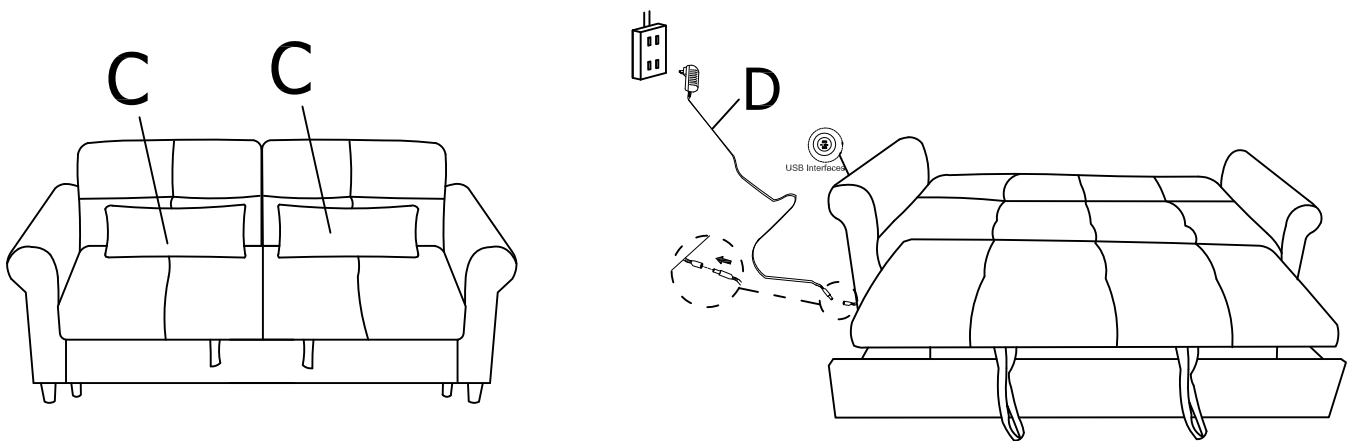
step2



step3



step4



MADE IN CHINA