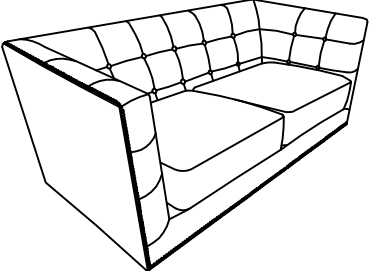
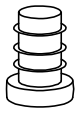

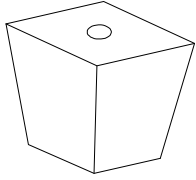
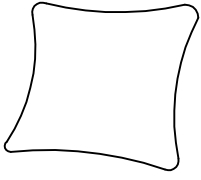


Model: #53586 (#215047E-2)

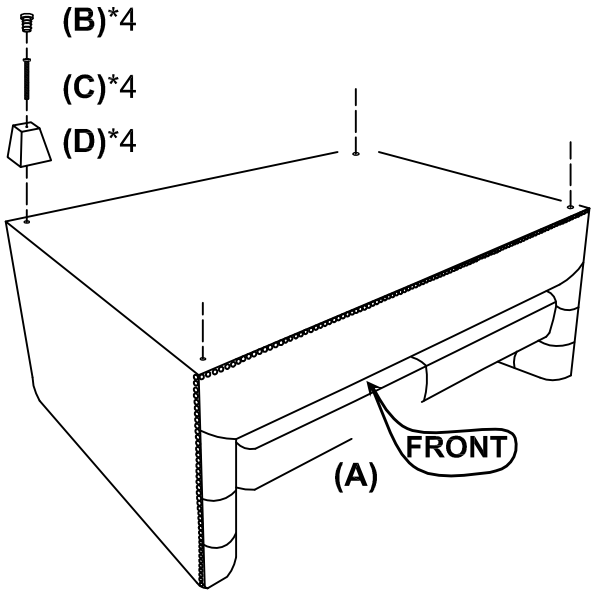
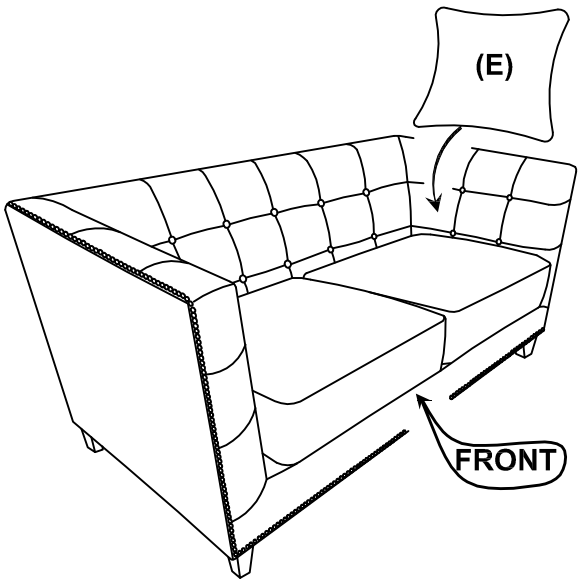
ASSEMBLY INSTRUCTIONS

Tool needed : philips screwdriver

Parts list:

A FRAME (1 PC) 	B PLASTIC CAPS (4 PCS) 	
C BOLTS (4 PCS) 	D LEGS (4 PCS) 	E BIG PILLOWS (2 PCS) 

How to assemble:

STEP 1:  <p>(B)*4 (C)*4 (D)*4</p> <p>(A) FRONT</p>	STEP 2:  <p>(E)</p> <p>FRONT</p>
---	--